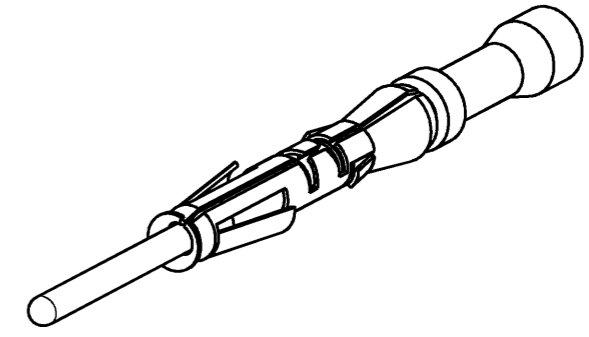
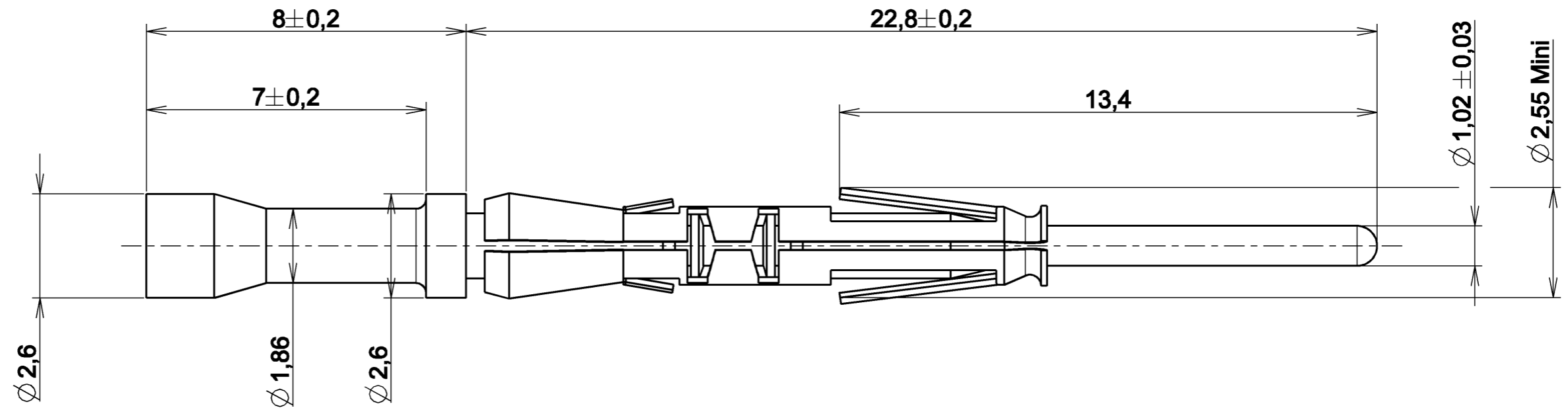




**THE DATASHEET OF
RM20W3K**



a : 1 : RL



ECHELLE 4/1

Notes :

- Machined contact
- Extraction tool : RX20D44
- Crimping tool : S20RCM

Material :

- Contact body:high conductive copper alloy
:plating: K : 0.4 micron gold over nickel
- Retaining spring:stainless steel

Performance Characteristics :



- Contact retention in the body:50N max
- Contact insertion force:5N max
- Contact separation force:2N min
- Current rating:7.5 Amps
- Contact resistance:6mΩ max
- Dielectric withstanding voltage:1500 Vrms min
- Diameter over insulation 1.20 mm min up to 1.60 mm max
- Section of wire 0.32 mm² min up to 0.50 mm² max
- Wire strip length : 4,8 mm

P/N : RM20W3K

A	04/03/11	FIRST ISSUE	21654
ISS	DATE	Latest modification - by:	MOD N°
Designed by: MOREAU F.		Date: 04/03/11	CUSTOMER DRAWING
TITLE		MALE CRIMP CONTACT AWG 22 - 20	
		CONNECTOR UTOW	
Scale		General linear Tolerances: ± 0.1	NPRDS / PROJECT RM
8/1			
		WWW.SOURIAU.COM	This document is the property of SOURIAU It must not be reproduced or communicated without permission
FORMAT	SOURIAU DRG N° RM20W3K-C01		SHEET
A3			1 / 1

Looking for pricing, stock, or lifecycle information?

Click below to explore more details on WIN SOURCE:

-  [View RM20W3K on WIN SOURCE](#)
-  [Souriau-Sunbank by Eaton](#) Information

Optimize Your Supply Chain with WIN SOURCE Solutions

-  Global Sourcing Solution
-  Obsolete Management
-  Cost Control Management
-  Shortage Management
-  Alternative Solution
-  Excess Inventory Management