



**THE DATASHEET OF  
PLP5-500**



# RIGID LIGHT PIPES

## Panel Light Pipes



- Dual-Lens Geometry
- Improved Lighting Intensity
- PLP5 Series Panel Light Pipes Press Fit into Panel
- Available in Lengths from 0.125"-1.50" in increments of 0.125"
- No Additional Hardware or Special Tools Required for Installation

Part No.		X=Length	Price Code
PLP5 Series	PLP5-2 Series		
PLP5-125	PLP5-2-125	.125 (3.2)	E
PLP5-250	PLP5-2-250	.250 (6.4)	E
PLP5-350	PLP5-2-350	.350 (8.9)	E
PLP5-375	PLP5-2-375	.375 (9.5)	E
PLP5-500	PLP5-2-500	.500 (12.7)	E
PLP5-625	PLP5-2-625	.625 (15.9)	E
PLP5-750	PLP5-2-750	.750 (19.0)	E
PLP5-1000	PLP5-2-1000	1.000 (25.4)	E
PLP5-1250	PLP5-2-1250	1.250 (31.8)	E
PLP5-1500	PLP5-2-1500	1.500 (38.1)	E

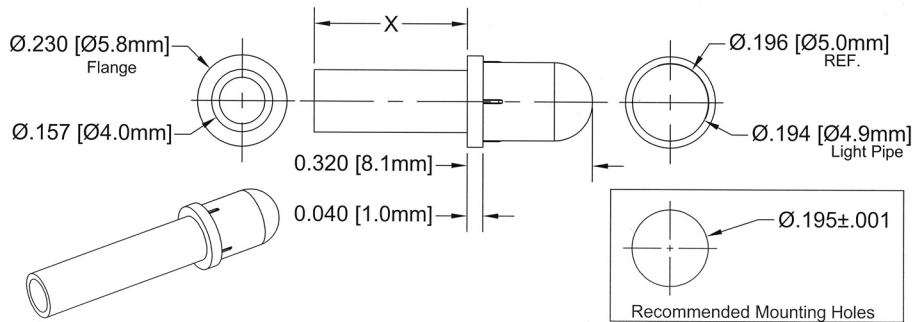
**Note:**

Standard, leave blank for clear, Price Code: E  
Dyed Color, Price Code: L

RED: RD  
GREEN: GN  
BLUE: BE  
YELLOW: YW

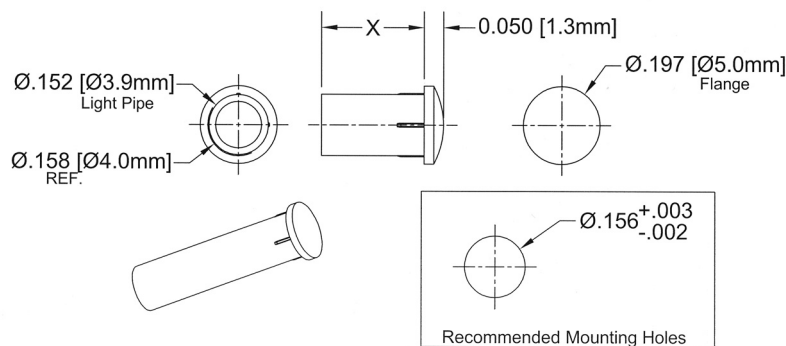
### PLP5-XXX

Panel Light Pipes, Rear Mount,  
Standard Color: Clear  
Color: See Chart





### PLP5-2-XXX

Panel Light Pipes, Front Mount,  
Low Profile, Round Face  
Standard Color: Clear  
Color: See Chart



## Looking for pricing, stock, or lifecycle information?

Click below to explore more details on WIN SOURCE:

-  [View PLP5-500 on WIN SOURCE](#)
-  [Bivar Inc. Information](#)

## Optimize Your Supply Chain with WIN SOURCE Solutions

-  Global Sourcing Solution
-  Obsolete Management
-  Cost Control Management
-  Shortage Management
-  Alternative Solution
-  Excess Inventory Management