

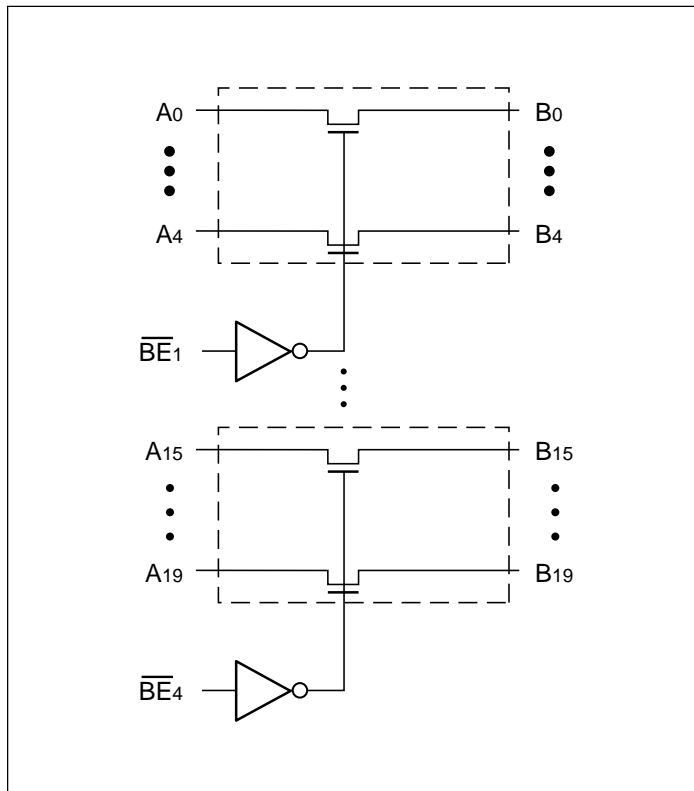
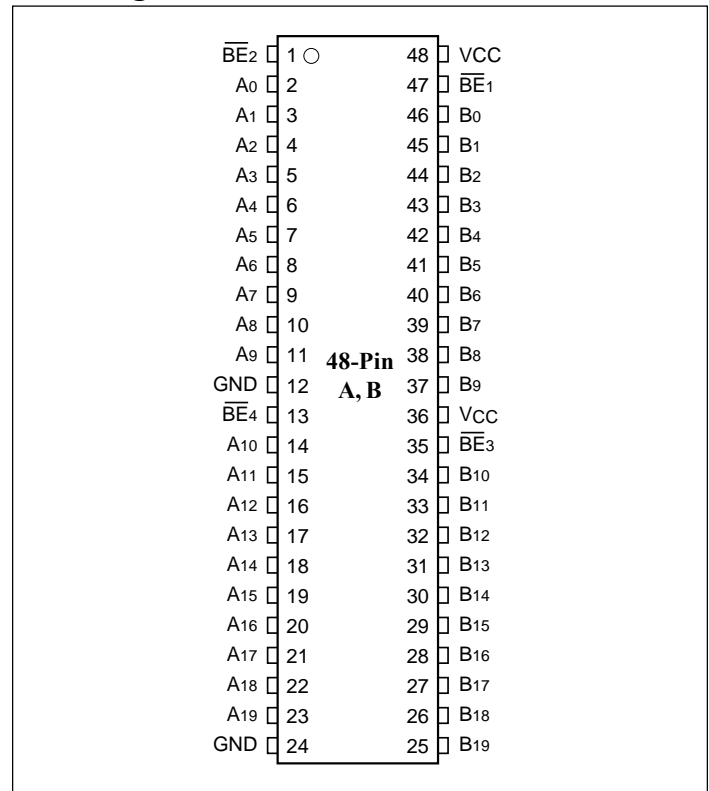
**20-Bit, 2-Port Bus Switch
with Undershoot Protection**
Features

- Near-Zero propagation delay
- 5-ohm switches connect inputs to outputs
- Undershoot Protection up to $-1V$
- Direct bus connection when switches are ON
- 32X384 function with flow through pinout make board layout easier
- Ultra-low quiescent power ($120\mu A$ typical)
— ideally suited for notebook applications
- Industrial operating temperature: $-40^{\circ}C$ to $+85^{\circ}C$
- Packaging (Pb-free & Green available):
— 48-pin 240-mil wide plastic TSSOP
— 48-pin 150-mil wide plastic BQSOP

Description

Pericom Semiconductor's PI5C16862C is configured as a 20-bit, 2-port bus switch designed with a low On-Resistance (5-ohm) allowing inputs to be connected directly to outputs. The bus switch creates no additional propagational delay or additional ground bounce noise. The switches are turned ON by the Bus Enable (\overline{BEx}) input signal.

The PI5C16862C can withstand undershoot of up to $-1V$.

Block Diagram

Pin Configuration

Truth Table⁽¹⁾

| Function | \overline{BEx} | A19-A0 |
|------------|------------------|--------|
| Disconnect | H | Hi-Z |
| Connect | L | B19-B0 |

Note:

1. H = High Voltage Level
L = Low Voltage Level
Hi-Z = High Impedance

Pin Description

| Pin Name | Description |
|------------------|--------------------------------|
| \overline{BEx} | Bus Enable Inputs (Active LOW) |
| A19-A0 | Bus A |
| B19-B0 | Bus B |

Maximum Ratings

(Above which the useful life may be impaired. For user guidelines, not tested.)

| | |
|--|-----------------|
| Storage Temperature | -65°C to +150°C |
| Ambient Temperature with Power Applied | -40°C to +85°C |
| Supply Voltage to Ground Potential (Inputs & V _{CC} Only) ... | -0.5V to +7.0V |
| Supply Voltage to Ground Potential (Outputs & D/O Only) . | -0.5V to +7.0V |
| DC Input Voltage | -0.5V to +7.0V |
| DC Output Current | 120mA |
| Power Dissipation | 0.5W |

Note:

Stresses greater than those listed under MAXIMUM RATINGS may cause permanent damage to the device. This is a stress rating only and functional operation of the device at these or any other conditions above those indicated in the operational sections of this specification is not implied. Exposure to absolute maximum rating conditions for extended periods may affect reliability.

DC Electrical Characteristics (Over the Operating Range, T_A = -40°C to +85°C, V_{CC} = 5V ±10%)

| Parameters | Description | Test Conditions ⁽¹⁾ | Min. | Typ. ⁽²⁾ | Max. | Units |
|------------------|--------------------------------------|--|------|---------------------|------|-------|
| V _{IH} | Input HIGH Voltage | Guaranteed Logic HIGH Level | 2.0 | — | — | V |
| V _{IL} | Input LOW Voltage | Guaranteed Logic LOW Level | -0.5 | — | 0.8 | |
| I _{IH} | Input HIGH Current | V _{CC} = Max., V _{IN} = V _{CC} | — | — | ±1 | μA |
| I _{IL} | Input LOW Current | V _{CC} = Max., V _{IN} = GND | — | — | ±1 | |
| I _{OZH} | High Impedance Output Current | 0 ≤ I _N , Y _N ≤ V _{CC} | — | — | ±1 | |
| V _{IK} | Clamp Diode Voltage | V _{CC} = Min., I _{IN} = -18mA | — | — | -1.8 | V |
| I _{OS} | Short Circuit Current ⁽³⁾ | A(B) = 0V, B (A) = V _{CC} | 100 | — | — | mA |
| V _H | Input Hysteresis at Control Pins | | — | 150 | — | mV |
| R _{ON} | Switch ON Resistance ⁽³⁾ | V _{CC} = Min., V _{IN} = 0.0V, I _{ON} = 48mA | — | 5.5 | 8 | Ω |
| | | V _{CC} = Min., V _{IN} = 2.4V, I _{ON} = 15mA | — | 9 | 16 | |

Capacitance (T_A = 25°C, f = 1 MHz)

| Parameters ⁽⁵⁾ | Description | Test Conditions | Typical | Units |
|---------------------------|-----------------------------|----------------------|---------|-------|
| C _{IN} | Input Capacitance | V _{IN} = 0V | 6 | pF |
| C _{OFF} | A/B Capacitance, Switch Off | V _{IN} = 0V | 6 | |
| C _{ON} | A/B Capacitance, Switch On | V _{IN} = 0V | 10 | |

Notes:

1. For Max. or Min. conditions, use appropriate value specified under Electrical Characteristics for the applicable device type.
2. Typical values are at V_{CC} = 5.0V, T_A = 25°C ambient and maximum loading.
3. Not more than one output should be shorted at one time. Duration of the test should not exceed one second.
4. Measured by the voltage drop between A and B pin at indicated current through the switch. ON resistance is determined by the lower of the voltages on the two (A,B) pins.
5. This parameter is determined by device characterization but is not production tested.

Power Supply Characteristics

| Parameters | Description | Test Conditions ⁽¹⁾ | | Min. | Typ. ⁽²⁾ | Max. | Units |
|-----------------|---|--|----------------------------------|------|---------------------|------|---------------|
| I_{CC} | Quiescent Power Supply Current | $V_{CC} = \text{Max.}$ | $V_{IN} = \text{GND or } V_{CC}$ | | 120 | 200 | μA |
| ΔI_{CC} | Quiescent Power Input @ TTL HIGH | $V_{CC} = \text{Max.}$ | $V_{IN} = 3.4\text{V}^{(3)}$ | | | 2.5 | mA |
| I_{CCD} | Supply Current per Input per MHz ⁽⁴⁾ | $V_{CC} = \text{Max.}$, A and B Pin Open $\overline{\text{BEx}} = \text{GND}$, Control Input Toggling, 50% Duty Cycle | | | | 0.25 | mA/ MHz |

Notes:

- For Max. or Min. conditions, use appropriate value specified under Electrical Characteristics for the applicable device.
- Typical values are at $V_{CC} = 5.0\text{V}$, $+25^\circ\text{C}$ ambient.
- Per TTL driven input ($V_{IN} = 3.4\text{V}$, control inputs only); A and B pins do not contribute to I_{CC} .
- This current applies to control inputs only and represent the current required to switch internal capacitance at the specified frequency. The A and B inputs generate no significant AC or DC currents as they transition. This parameter is not tested, but is guaranteed by design.

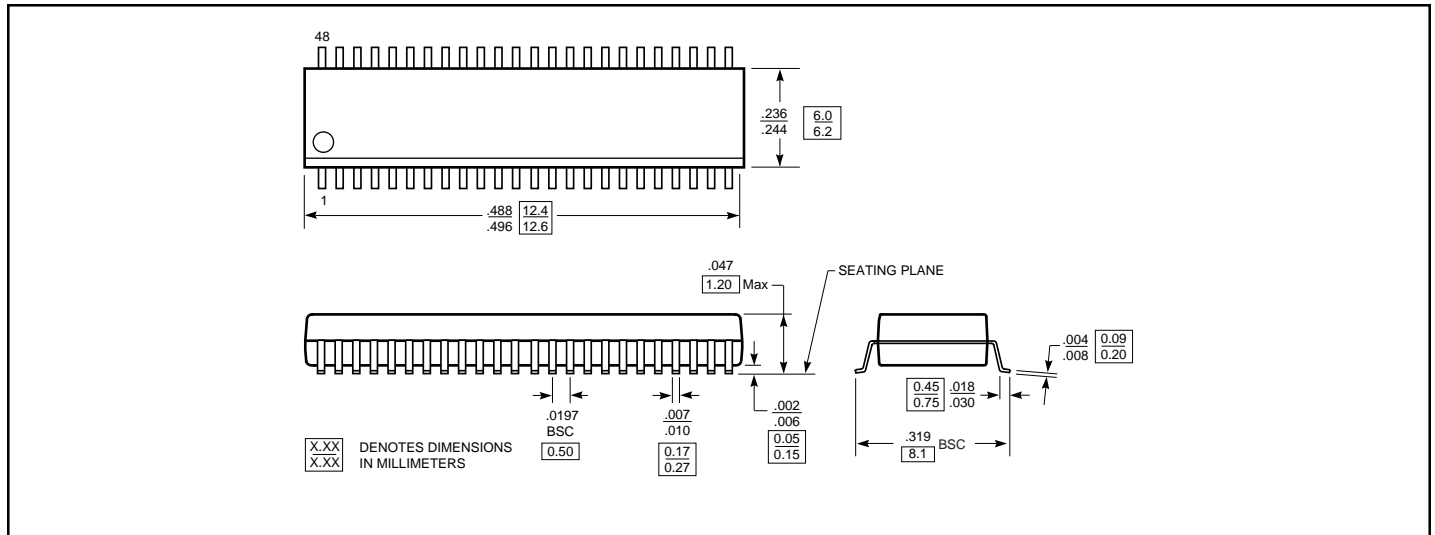
Switching Characteristics over Operating Range

| Parameters | Description | Conditions ⁽¹⁾ | PI5C16862C | | Units |
|------------------------|--|--|------------|------|-------|
| | | | Com. | | |
| | | | Min. | Max. | |
| t_{PLH} t_{PHL} | Propagation Delay ^(2,3) Ax to Bx, Bx to Ax | $C_L = 50\text{pF}$ $R_L = 500\Omega$ | | 0.25 | ns |
| t_{pZH} t_{pZL} | Bus Enable Time $\overline{\text{BEx}}$ to Ax or Bx | | 1.5 | 6.5 | |
| t_{pHZ} t_{pLZ} | Bus Disable Time $\overline{\text{BEx}}$ to Ax or Bx | | 1.5 | 5.5 | |

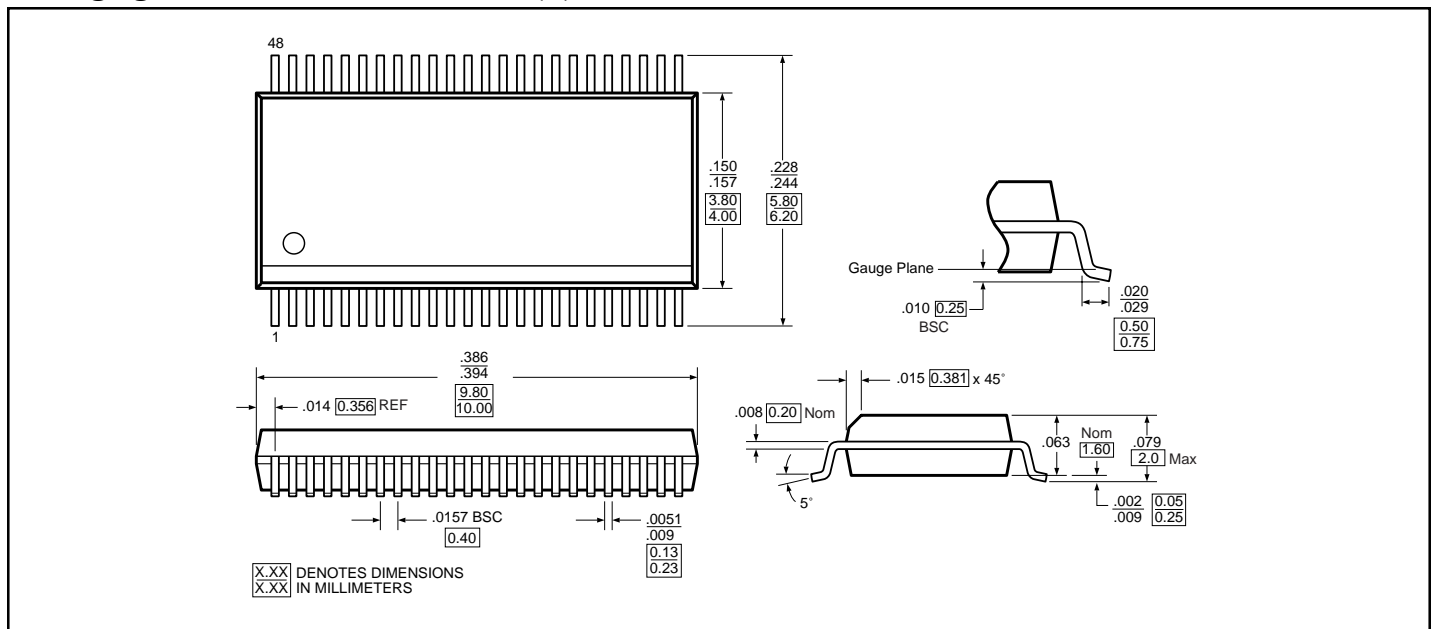
Notes:

- See test circuit and waveforms.
- This parameter is guaranteed but not tested on Propagation Delays.
- The bus switch contributes no propagational delay other than the RC delay of the ON resistance of the switch and the load capacitance. The time constant for the switch alone is of the order of 0.25ns for 50pF load. Since this time constant is much smaller than the rise/fall times of typical driving signals, it adds very little propagational delay to the system. Propagational delay of the bus switch when used in a system is determined by the driving circuit on the driving side of the switch and its interaction with the load on the driven side.

Packaging Mechanical: 48-Pin TSSOP (A)



Packaging Mechanical: 48-Pin BQSOP (B)



Ordering Information



| Ordering Code | Package Code | Package Description |
|---------------|--------------|-------------------------------|
| PI5C16862CA | A | 48-pin TSSOP |
| PI5C16862CAE | A | Pb-free & Green, 48-pin TSSOP |
| PI5C16862CB | B | 48-pin BQSOP |
| PI5C16862CBE | B | Pb-free & Green, 48-pin BQSOP |

Notes:

- Thermal characteristics can be found on the company web site at www.pericom.com/packaging/

Looking for pricing, stock, or lifecycle information?

Click below to explore more details on WIN SOURCE:

-  [View PI5C16862CBE on WIN SOURCE](#)
-  [Diodes Incorporated Information](#)

Optimize Your Supply Chain with WIN SOURCE Solutions

-  Global Sourcing Solution
-  Obsolete Management
-  Cost Control Management
-  Shortage Management
-  Alternative Solution
-  Excess Inventory Management