



**THE DATASHEET OF
PI49FCT3805AQE**

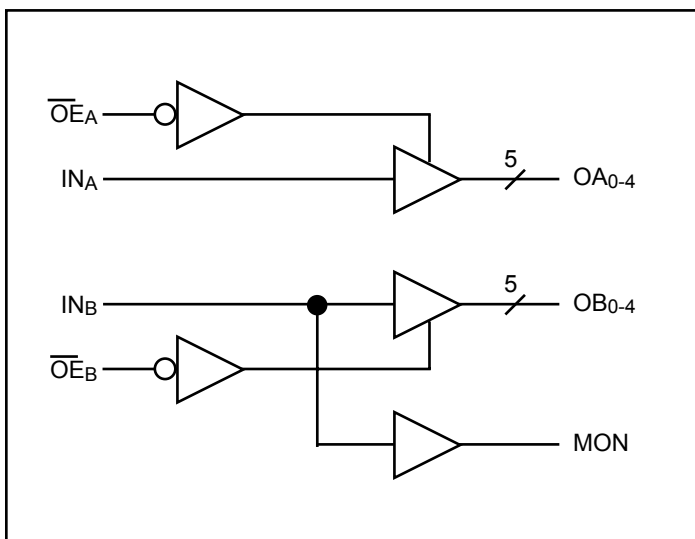
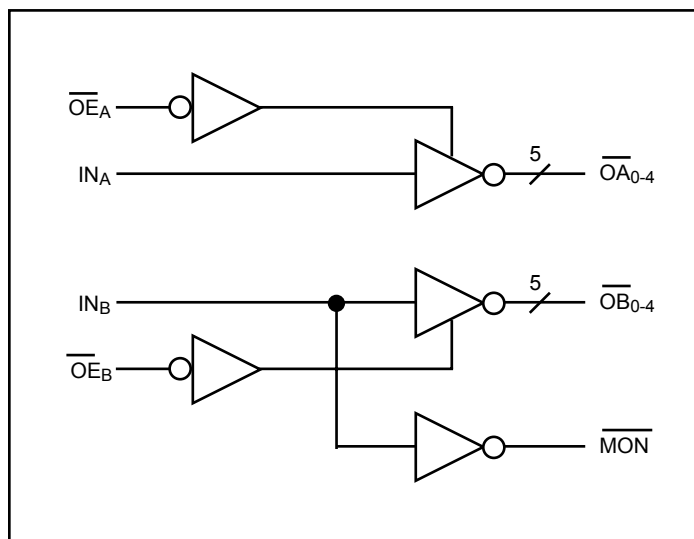


Features

- 3.3V version of PI49FCT805/806
- Extremely low output skew: 0.5ns
- Monitor output pin
- Clock busing with 3-state control
- TTL input and CMOS output compatible
- Industrial operation at -40°C to 85°C
- Extremely low static power (1mW, typ.)
- Hysteresis on all inputs
- Packaging:
 - 20-pin 300-mil wide SOIC (S)
 - 20-pin 150-mil wide QSOP (Q)
 - 20-pin 209-mil wide SSOP (H)

Description

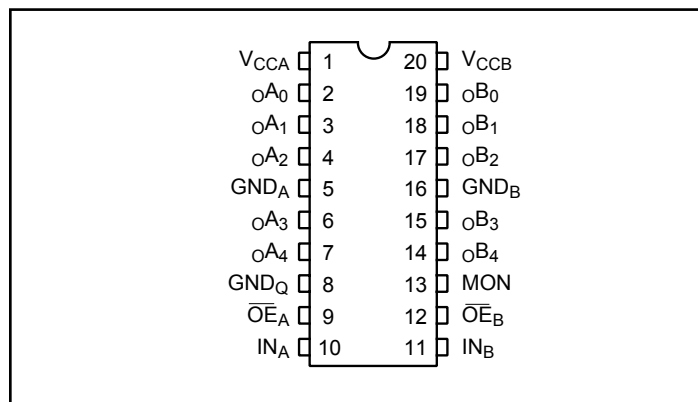
Pericom Semiconductor's PI49FCT3805 is a 3.3V non-inverting clock driver and the PI49FCT3806 is a 3.3V inverting clock driver designed with two independent groups of buffers. These buffers have 3-state Output Enable inputs (active LOW) with a 1-in, 5-out configuration per group. Each clock driver consist of two banks of drivers, driving five outputs each from a standard TTL compatible CMOS input.

PI49FCT3805 Block Diagram

PI49FCT3806 Block Diagram


Pin Description

Pin Name	Description
$\overline{OE}_A, \overline{OE}_B$	3-State Output Enable Inputs (Active LOW)
IN_A, IN_B	Clock Inputs
oA_N, oB_N	Clock Outputs
MON	Monitor Output
GND	Ground
VCC	Power

PI49FCT3805 Pin Configuration



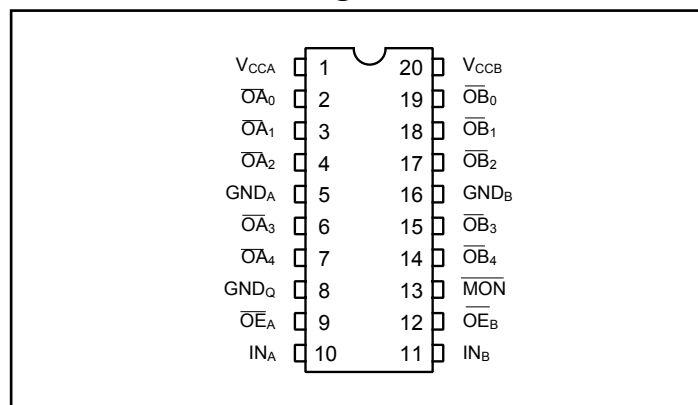
PI49FCT3805 Truth Table⁽¹⁾

Inputs		Outputs	
$\overline{OE}_A, \overline{OE}_B$	IN_A, IN_B	oA_N, oB_N	MON
L	L	L	L
L	H	H	H
H	L	Z	L
H	H	Z	H

Note:

- H = High Voltage Level, L = Low Voltage Level
Z = High Impedance

PI49FCT3806 Pin Configuration



PI49FCT3806 Truth Table⁽¹⁾

Inputs		Outputs	
$\overline{OE}_A, \overline{OE}_B$	IN_A, IN_B	$\overline{oA}_N, \overline{oB}_N$	\overline{MON}
L	L	H	H
L	H	L	L
H	L	Z	H
H	H	Z	L

Note:

- H = High Voltage Level, L = Low Voltage Level
Z = High Impedance

Capacitance ($T_A = 25^\circ\text{C}$, $f = 1\text{ MHz}$)

Parameters ⁽¹⁾	Description	Test Conditions	Typ	Max.	Units
C_{IN}	Input Capacitance	$V_{IN} = 0V$	3.0	6.0	pF
C_{OUT}	Output Capacitance	$V_{OUT} = 0V$	6.0	8.0	

Note:

- This parameter is determined by device characterization but is not production tested.

Maximum Ratings

(Above which the useful life may be impaired. For user guidelines, not tested.)

Storage Temperature	-65°C to +150°C
Ambient Temperature with Power Applied	-40°C to +85°C
Supply Voltage to Ground Potential (Inputs & V _{CC} Only)	-0.5V to +7.0V
Supply Voltage to Ground Potential (Outputs & I/O Only).....	-0.5V to +7.0V
DC Input Voltage	-0.5V to +7.0V
DC Output Current.....	120 mA
Power Dissipation	0.5W

Note:

Stresses greater than those listed under MAXIMUM RATINGS may cause permanent damage to the device. This is a stress rating only and functional operation of the device at these or any other conditions above those indicated in the operational sections of this specification is not implied. Exposure to absolute maximum rating conditions for extended periods may affect reliability.

DC Electrical Characteristics (T_A = -40°C to +85°C, V_{CC} = 3.3V ±0.3V)

Symbol	Parameter	Test Condition ⁽¹⁾		Min.	Typ.	Max.	Units
V _{OH}	Output High Voltage V _{CC} = 3.0V, V _{IN} = V _{IL} or V _{IH}	V _{CC} = Min., V _{IN} = V _{IH} or V _{IL}	I _{OH} = -0.1mA I _{OH} = -8mA	V _{CC} -0.2 2.4 (3)	- 3.0		V
V _{OL}	Output Low Voltage V _{CC} = 3.0V, V _{IN} = V _{IL} or V _{IH}	V _{CC} = Min., V _{IN} = V _{IH} or V _{IL}	I _{OL} = 0.1mA I _{OL} = 16mA I _{OL} = 24mA		- 0.2 0.3	0.2 0.4 0.5	
V _{IH}	Input High Voltage	Guaranteed Logic HIGH level	Input Pins	2.0		5.5	
V _{IL}	Input Low Voltage	Guaranteed Logic LOW level	Input Pins	-0.5		0.8	
I _{IH}	Input High Current	V _{CC} = Max	V _{IN} = V _{CC} (Input Pins)	-1		1	μA
I _{IL}	Input Low Current	V _{CC} = Max	V _{IN} = GND (Input & I/O Pins)	-1		1	
I _{OZH}	High Impedance Output Current	V _{CC} = Max., All outputs Disabled	V _{OUT} = V _{CC} V _{OUT} = GND	-1		1	
I _{OZL}	High Impedance Output Current	V _{CC} = Max., All outputs Disabled	V _{OUT} = V _{CC} V _{OUT} = GND	-1		1	
V _{IK}	Clamp Diode Voltage	V _{CC} = Min., I _{IN} = -18mA			-0.7	-1.2	V
I _{ODH}	Output HIGH Current	V _{OUT} = 3.3V, V _{IN} = V _{IL} or V _{IH} , V _{OUT} = 1.5V ⁽⁴⁾		-35	-86	-110	mA
I _{ODL}	Output LOW Current	V _{OUT} = 3.3V, V _{IN} = V _{IL} or V _{IH} , V _{OUT} = 1.5V ⁽⁴⁾		50	168	200	
I _{OS}	Short Circuit ⁽⁵⁾ Current	V _{CC} = Max., V _{OUT} = GND ⁽⁵⁾		-60	-135	-240	
V _H	Input Hysteresis				150		Ω

Notes:

- For Max. or Min. conditions, use appropriate value specified under Electrical Characteristics for the applicable device type.
- Typical values are at V_{CC} = 3.3V, +25°C ambient and maximum loading.
- V_{OH} = V_{CC} - 0.6V at rated current.
- This parameter is determined by device characterization but is not production tested.
- Not more than one output should be shorted at one time. Duration of the test should not exceed one second.

Power Supply Characteristics ($T_A = -40^\circ\text{C}$ to $+85^\circ\text{C}$, $V_{CC} = 3.3\text{V} \pm 0.3\text{V}$)

Parameters	Description	Test Conditions ⁽¹⁾		Min.	Typ ⁽²⁾	Max.	Units
I_{CC}	Quiescent Power Supply Current	$V_{CC} = \text{Max.}$	$V_{IN} = \text{GND}$ or V_{CC}	—		30	μA
ΔI_{CC}	Supply Current per Inputs @ TTL HIGH	$V_{CC} = \text{Max.}$	$V_{IN} = V_{CC} - 0.6\text{V}$ ⁽³⁾	—	11	300	
I_{CCD}	Supply Current per Input per MHz ⁽⁴⁾	$V_{CC} = \text{Max.}$, Outputs Open $\overline{\text{OE}}_A$ or $\overline{\text{OE}}_B = \text{GND}$ Per Output Toggling 50% Duty Cycle	$V_{IN} = V_{CC}$ $V_{IN} = \text{GND}$	—	0.1	0.16	mA/ MHz
I_C	Total Power Supply Current ⁽⁶⁾	$V_{CC} = \text{Max.}$, Outputs Open $f_O = 10\text{ MHz}$ 50% Duty Cycle $\overline{\text{OE}}_A$ or $\overline{\text{OE}}_B = \text{GND}$ Mon. Outputs Toggling	$V_{IN} = V_{CC}$ $V_{IN} = \text{GND}$	—	3.3	9.0 ⁽⁵⁾	mA
			$V_{IN} = V_{CC} - 0.6\text{V}$ $V_{IN} = \text{GND}$	—	3.3	10.0 ⁽⁵⁾	
		$V_{CC} = \text{Max.}$, Outputs Open $f_O = 2.5\text{ MHz}$ 50% Duty Cycle $\overline{\text{OE}}_A$ or $\overline{\text{OE}}_B = \text{GND}$ Eleven Outputs Toggling	$V_{IN} = V_{CC}$ $V_{IN} = \text{GND}$	—	1.8	6.0 ⁽⁵⁾	
			$V_{IN} = V_{CC} - 0.6\text{V}$ $V_{IN} = \text{GND}$	—	1.8	7.0 ⁽⁵⁾	

Notes:

- For Max. or Min. conditions, use appropriate value specified under Electrical Characteristics for the applicable device.
- Typical values are at $V_{CC} = 3.3\text{V}$, $+25^\circ\text{C}$ ambient.
- Per TTL driven input ($V_{IN} = V_{CC} - 0.6\text{V}$); all other inputs at V_{CC} or GND.
- This parameter is not directly testable, but is derived for use in Total Power Supply Calculations.
- Values for these conditions are examples of the I_C formula. These limits are guaranteed but not tested.
- $I_C = I_{\text{QUIESCENT}} + I_{\text{INPUTS}} + I_{\text{DYNAMIC}}$
 $I_C = I_{CC} + \Delta I_{CC} D_H N_T + I_{CCD} (f_O N_O)$
 I_{CC} = Quiescent Current
 ΔI_{CC} = Power Supply Current for a TTL High Input ($V_{IN} = V_{CC} - 0.6\text{V}$)
 D_H = Duty Cycle for TTL Inputs High
 N_T = Number of TTL Inputs at D_H
 I_{CCD} = Dynamic Current Caused by an Input Transition Pair (HLH or LHL)
 f_O = Output Frequency
 N_O = Number of Outputs at f_O
 All currents are in milliamps and all frequencies are in megahertz.

Switching Characteristics ($T_A = -40^{\circ}\text{C}$ to $+85^{\circ}\text{C}$, $V_{CC} = 3.3\text{V} \pm 0.3\text{V}$)

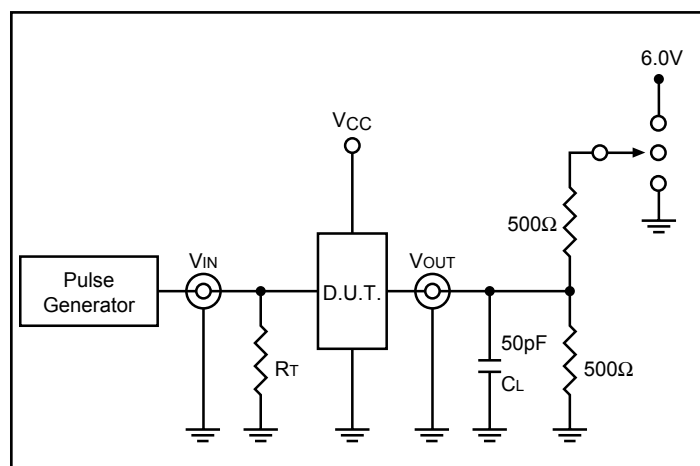
Parameter	Description	Test Conditions (Note 1)	3805/ 3806		3805A/ 3806A		3805B/ 3806B		3805C/ 3806C		Units
			Com.		Com.		Com.		Com.		
			Min.	Max.	Min.	Max.	Min.	Max.	Min.	Max.	
t_{PLH} t_{PLH}	Propagation Delay IN_A to OA_N , IN_B to OB_N	$C_L = 50\text{pF}$ $R_L = 500\Omega$	1.5	6.5	1.5	5.8	1.5	5.0	1.5	4.5	ns
t_{PZH} t_{PZL}	Output Enable Time \overline{OE}_A to OA_N , \overline{OE}_B to OB_N		1.5	8.0	1.5	8.0	1.5	6.5	1.5	6.2	
t_{PHL} t_{PLZ}	Output Disable Time \overline{OE}_A to OA_N , \overline{OE}_B to OB_N		1.5	7.0	1.5	7.0	1.5	6.0	1.5	5.0	
$t_{SK(o)}^{(3)}$	Skew between two outputs of same package (same transition)			0.7		0.7		0.5		0.5	
$t_{SK(p)}^{(3)}$	Skew between opposite transitions ($t_{PHL} - t_{PLH}$) of the same output			1.0		0.7		0.5		0.5	
$t_{SK(t)}^{(3)}$	Skew between two outputs of different package at same temperature (Same transition)			1.5		1.2		1.0		0.8	

Note:

1. See test circuit and waveforms
2. Minimum limits are guaranteed but not tested on Propagation Delays.
3. Skew measured at worst cast temperature (max. temp).

Tests Circuits for All Outputs⁽¹⁾

except for $F_{IN} > 100\text{ MHz}$

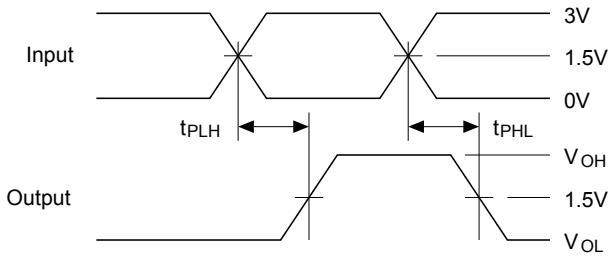
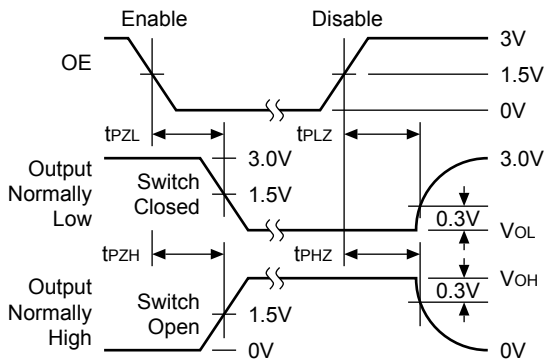
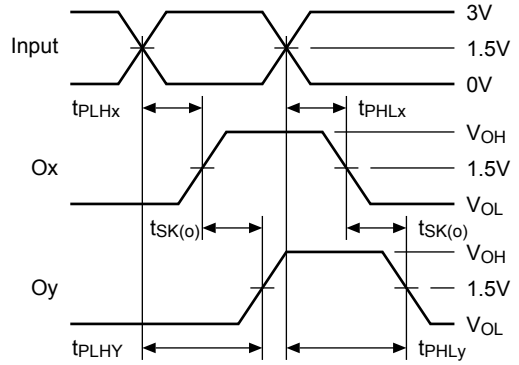


Switch Position

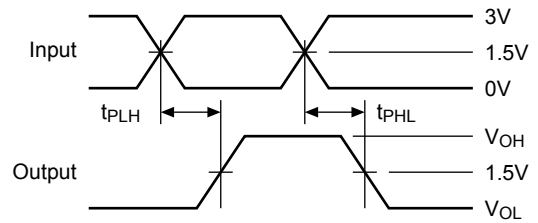
Test	Switch
Disable LOW	6V
Enable LOW	6V
Disable HIGH	GND
Enable HIGH	GND
All Other Inputs	Open

Definitions:

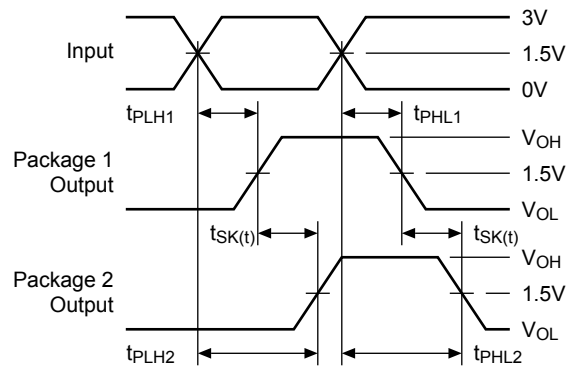
C_L = Load capacitance: includes jig and probe capacitance.
 R_T = Termination resistance: should be equal to Z_{OUT} of the Pulse Generator.

Switching Waveforms

Propagation Delay

Enable and Disable Times


$$t_{SK(O)} = |t_{PLHy} - t_{PLHx}| \text{ or } |t_{PHLy} - t_{PHLx}|$$

Output Skew – t_{SK(O)}


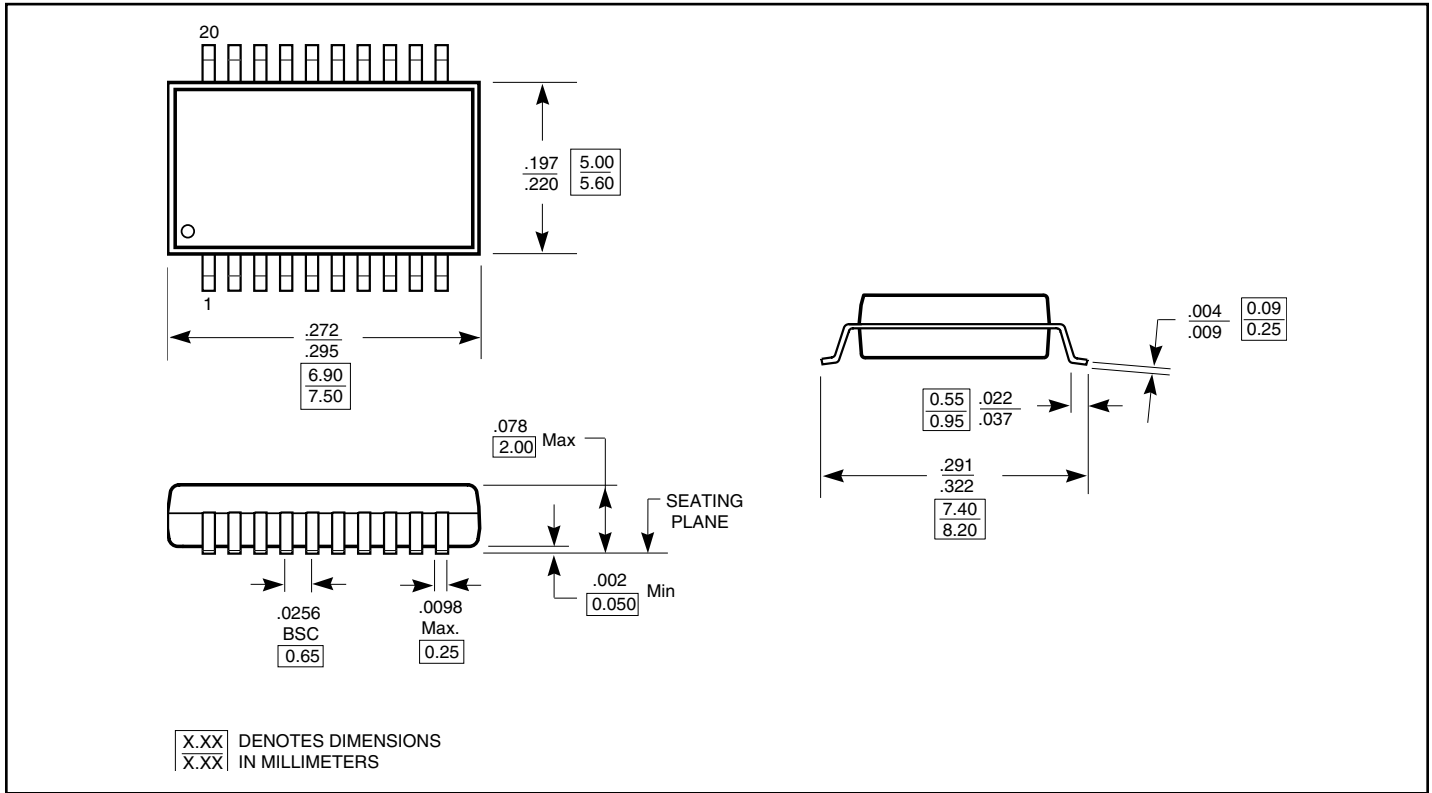
$$t_{SK(P)} = |t_{PHL} - t_{PLH}|$$

Pulse Skew – t_{SK(P)}


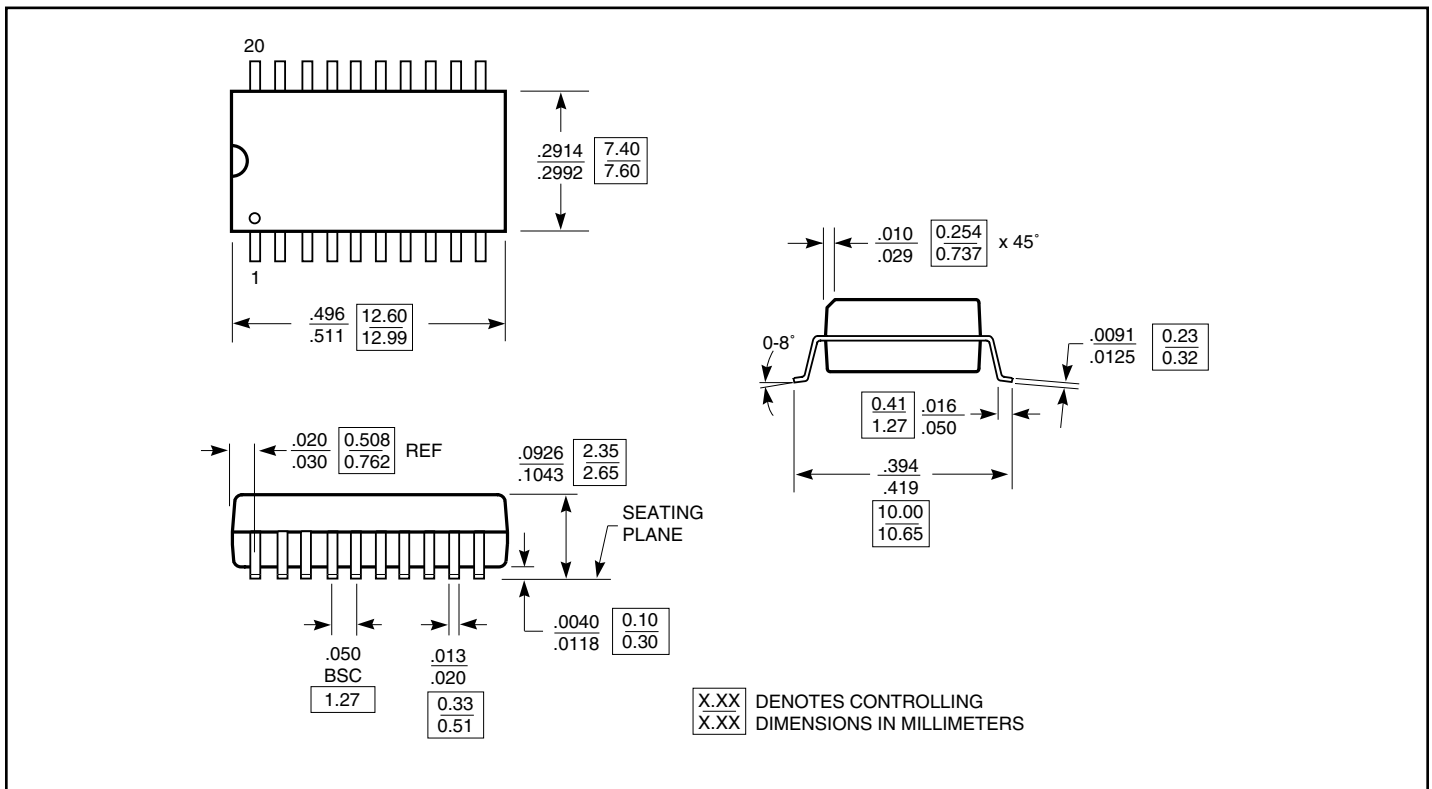
$$t_{SK(t)} = |t_{PLH2} - t_{PLH1}| \text{ or } |t_{PHL2} - t_{PHL1}|$$

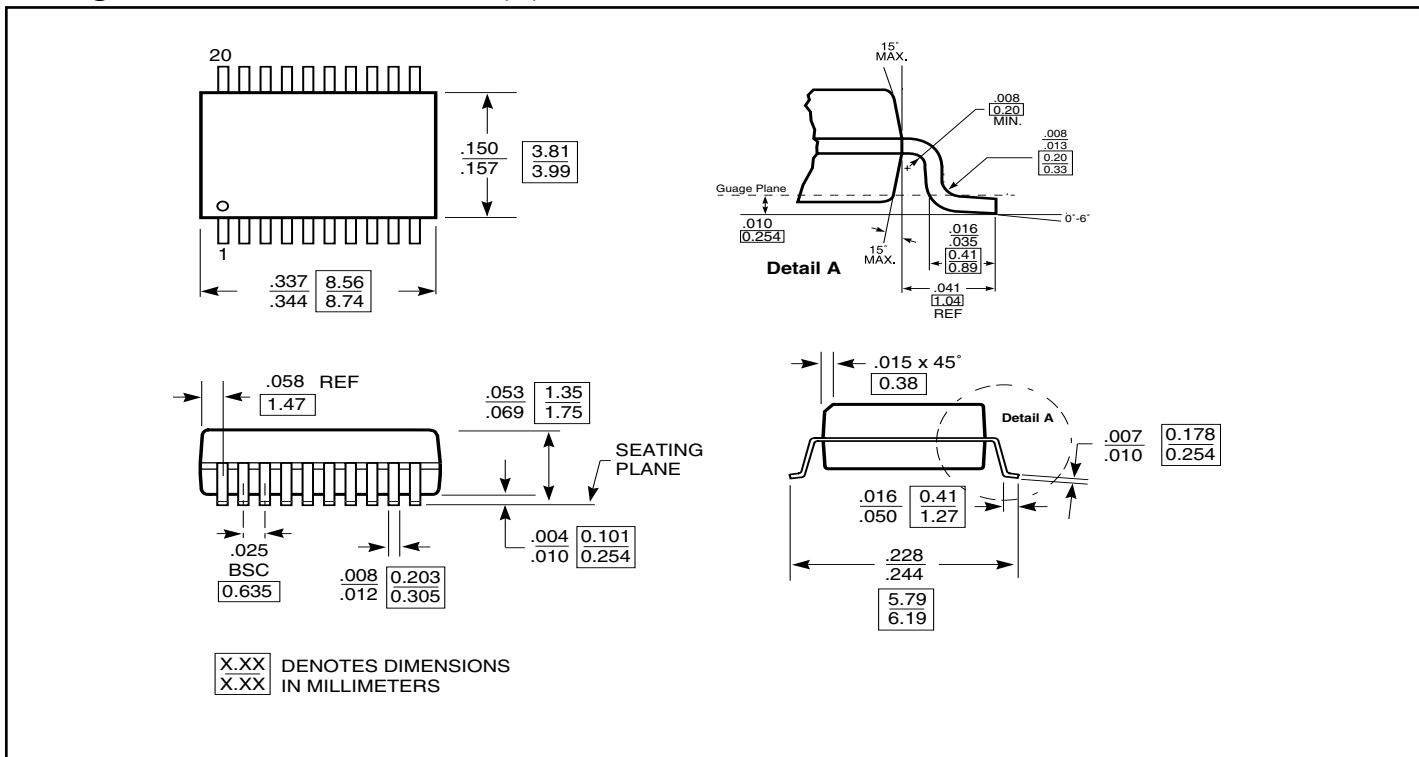
Package Skew – t_{SK(t)}

Package Mechanical: 20-Pin SSOP (H)



Package Mechanical: 20-Pin SOIC (S)



Package Mechanical: 20-Pin QSOP (Q)


PI49FCT3805 Ordering Information

Ordering Code	Package Code	Speed Grade	Package Description
PI49FCT3805H	H	Blank	20-pin 209-mil SSOP
PI49FCT3805HE	H	Blank	Pb-free & Green, 20-pin 209-mil SSOP
PI49FCT3805Q	Q	Blank	20-pin 150-mil QSOP
PI49FCT3805QE	Q	Blank	Pb-free & Green, 20-pin 150-mil QSOP
PI49FCT3805S	S	Blank	20-pin 300-mil SOIC
PI49FCT3805SE	S	Blank	Pb-free & Green, 20-pin 300-mil SOIC
PI49FCT3805AH	H	A	20-pin 209-mil SSOP
PI49FCT3805AHE	H	A	Pb-free & Green, 20-pin 209-mil SSOP
PI49FCT3805AQ	Q	A	20-pin 150-mil QSOP
PI49FCT3805AQE	Q	A	Pb-free & Green, 20-pin 150-mil QSOP
PI49FCT3805AS	S	A	20-pin 300-mil SOIC
PI49FCT3805ASE	S	A	Pb-free & Green, 20-pin 300-mil SOIC
PI49FCT3805BH	H	B	20-pin 209-mil SSOP
PI49FCT3805BHE	H	B	Pb-free & Green, 20-pin 209-mil SSOP
PI49FCT3805BQ	Q	B	20-pin 150-mil QSOP
PI49FCT3805BQE	Q	B	Pb-free & Green, 20-pin 150-mil QSOP
PI49FCT3805BS	S	B	20-pin 300-mil SOIC
PI49FCT3805BSE	S	B	Pb-free & Green, 20-pin 300-mil SOIC
PI49FCT3805CH	H	C	20-pin 209-mil SSOP
PI49FCT3805CHE	H	C	Pb-free & Green, 20-pin 209-mil SSOP
PI49FCT3805CQ	Q	C	20-pin 150-mil QSOP
PI49FCT3805CQE	Q	C	Pb-free & Green, 20-pin 150-mil QSOP
PI49FCT3805CS	S	C	20-pin 300-mil SOIC
PI49FCT3805CSE	S	C	Pb-free & Green, 20-pin 300-mil SOIC

Notes:

1. Thermal characteristics can be found on the company web site at www.pericom.com/packaging/
2. Number of Transistors = TBD

PI49FCT3806 Ordering Information

Ordering Code	Package Code	Speed Grade	Package Description
PI49FCT3806H	H	Blank	20-pin 209-mil SSOP
PI49FCT3806HE	H	Blank	Pb-free & Green, 20-pin 209-mil SSOP
PI49FCT3806Q	Q	Blank	20-pin 150-mil QSOP
PI49FCT3806QE	Q	Blank	Pb-free & Green, 20-pin 150-mil QSOP
PI49FCT3806S	S	Blank	20-pin 300-mil SOIC
PI49FCT3806SE	S	Blank	Pb-free & Green, 20-pin 300-mil SOIC
PI49FCT3806AH	H	A	20-pin 209-mil SSOP
PI49FCT3806AHE	H	A	Pb-free & Green, 20-pin 209-mil SSOP
PI49FCT3806AQ	Q	A	20-pin 150-mil QSOP
PI49FCT3806AQE	Q	A	Pb-free & Green, 20-pin 150-mil QSOP
PI49FCT3806AS	S	A	20-pin 300-mil SOIC
PI49FCT3806ASE	S	A	Pb-free & Green, 20-pin 300-mil SOIC
PI49FCT3806BH	H	B	20-pin 209-mil SSOP
PI49FCT3806BHE	H	B	Pb-free & Green, 20-pin 209-mil SSOP
PI49FCT3806BQ	Q	B	20-pin 150-mil QSOP
PI49FCT3806BQE	Q	B	Pb-free & Green, 20-pin 150-mil QSOP
PI49FCT3806BS	S	B	20-pin 300-mil SOIC
PI49FCT3806BSE	S	B	Pb-free & Green, 20-pin 300-mil SOIC
PI49FCT3806CH	H	C	20-pin 209-mil SSOP
PI49FCT3806CHE	H	C	Pb-free & Green, 20-pin 209-mil SSOP
PI49FCT3806CQ	Q	C	20-pin 150-mil QSOP
PI49FCT3806CQE	Q	C	Pb-free & Green, 20-pin 150-mil QSOP
PI49FCT3806CS	S	C	20-pin 300-mil SOIC
PI49FCT3806CSE	S	C	Pb-free & Green, 20-pin 300-mil SOIC

Notes:

1. Thermal characteristics can be found on the company web site at www.pericom.com/packaging/
2. Number of Transistors = TBD

Looking for pricing, stock, or lifecycle information?

Click below to explore more details on WIN SOURCE:

 [View PI49FCT3805AQE on WIN SOURCE](#)

 [Diodes Incorporated](#) Information

Optimize Your Supply Chain with WIN SOURCE Solutions

-  Global Sourcing Solution
-  Obsolete Management
-  Cost Control Management
-  Shortage Management
-  Alternative Solution
-  Excess Inventory Management