



**THE DATASHEET OF
PI3EQX1204-BZHE**



PI3EQX1204-B

3.3V, 12.5Gbps 4 channel SAS3/SATA3/XAUI ReDriver with Pin Strap and I²C control

Pericom Semiconductor's PI3EQX1204-B is a SAS3/SAS2/SATA3/10GE, 4 differential channels ReDriver™. The device provides programmable equalization, output swing, pre-shoot, and de-emphasis by either pin strapping option or I²C Control, to optimize performance over a variety of physical mediums by reducing Inter-symbol interference.

PI3EQX1204-B supports four 100-Ohm Differential CML data I/O's and extends the signals across other distant data pathways on the user's platform.

The integrated equalization circuitry provides flexibility with signal integrity of the signal before the ReDriver, whereas the integrated de-emphasis and pre-shoot circuitry provides flexibility with signal integrity of the signal after the ReDriver.

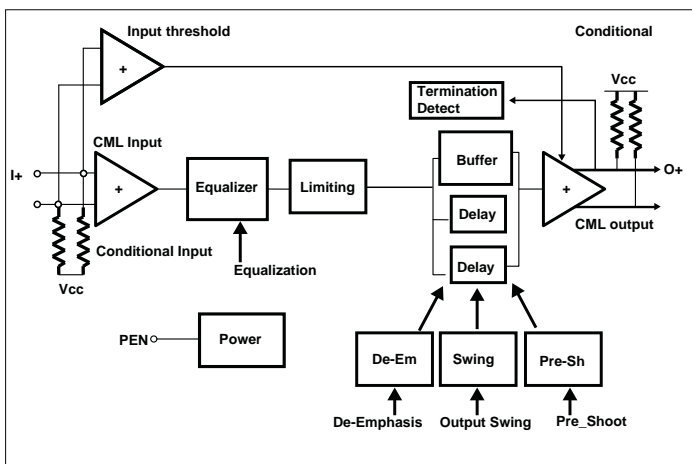
Applications

Servers, storage

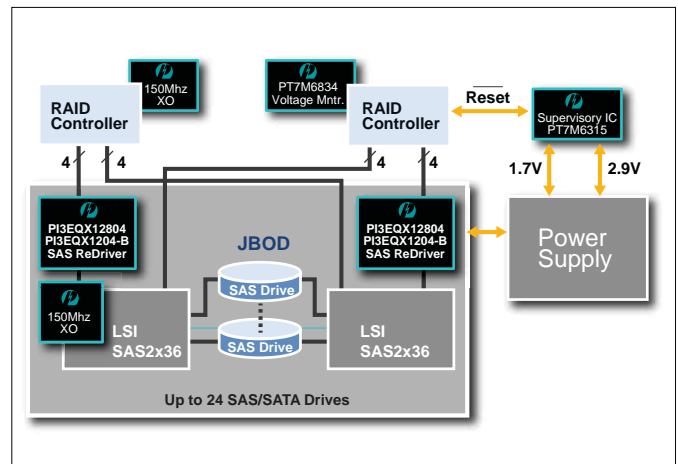
Features

- Support up to 12.5Gbps serial link for SAS3, SAS2, SATA3, 10GE applications
- Supporting 4 differential channels
- Independent channel configuration of receiver equalization, output swing and pre-shoot/de-emphasis
- Per Channel Activity Detector with selectable input termination between 50Ω to V_{CC} and 200KΩ to V_{CC}
- Pin strap and I²C selectable device programming
- 3-bit selectable address bit for I²C
- Supply Voltage: 3.3V±0.3V
- Industrial Temperature Range: -40°C to 85°C
- Packaging (Pb-free & Green):
- 42-contact TQFN (9mm x 3.5mm)

Block Diagram





Application Diagram



Looking for pricing, stock, or lifecycle information?

Click below to explore more details on WIN SOURCE:

-  [View PI3EQX1204-BZHE on WIN SOURCE](#)
-  [Diodes Incorporated Information](#)

Optimize Your Supply Chain with WIN SOURCE Solutions

-  Global Sourcing Solution
-  Obsolete Management
-  Cost Control Management
-  Shortage Management
-  Alternative Solution
-  Excess Inventory Management