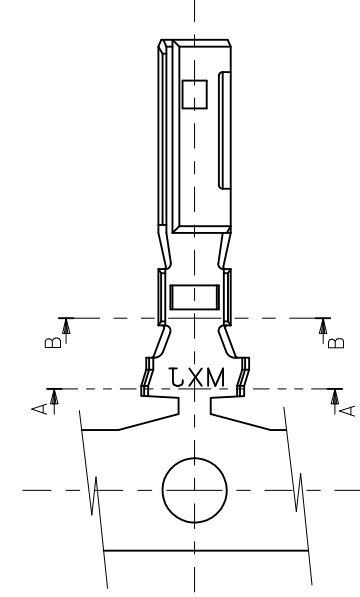




THE DATASHEET OF
500398000

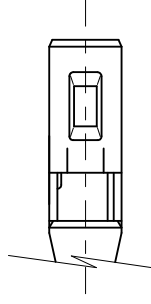
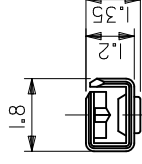
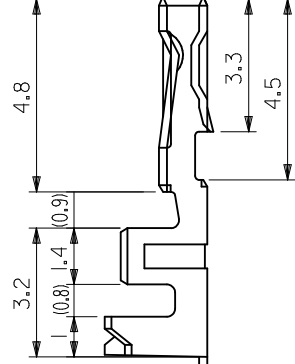
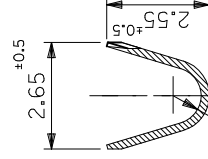


10 9 8 7 6 5 4 3



(IR 0.4)

断面 A-A
SECT.A-A



(IR 0.4)

注記
NOTICE

1.適合

1.APP

2.嵌合
2.MA

断面 SE

材料 MATERIAL	リン青銅 錫メッキ (±0.2) PHOSPHOR BRONZE TIN PLATING(±0.2)	REVISED REVISED	D1	FC NO: JTR2012-0084 DRWN:SANDO CHKD:SANDO APPR:MAYAMAMOTO 2012/03/16	DESCRIPTION	GENERAL TOLERANCES (UNLESS SPECIFIED)	10 UNDER	± 0.2	DIMENSION STYLE	MM ONLY	SCALE	8
	適用電線範囲 WIRE RANGE						AVS-0.3/0.3F AVSS-0.3/0.3F CAVS-0.5 ISO-0.5	10 OVER	30 UNDER	± 0.25	DRAWN BY	M. ASAKA
被覆外径 INS. RANGE	φ1.4-1.9					30 OVER	± 0.3	APPROVED BY	MENOMOTO	DATE	1996/06/10	
						ANGULAR	± 3 °	MATERIAL NO.	SEE CHART			
						DRAFT WHERE APPLICABLE MUST REMAIN WITHIN DIMENSIONS		SIZE	A3	THIS DRAWING CONTAINS II INCORPORATED AND SHOULD		

tb_frame_A3_J-AM-S
Rev. E 2006/04/15

3

4

5

6

7

8

9

Looking for pricing, stock, or lifecycle information?

Click below to explore more details on WIN SOURCE:

 [View 500398000 on WIN SOURCE](#)

 [Molex, LLC Information](#)

Optimize Your Supply Chain with WIN SOURCE Solutions

-  Global Sourcing Solution
-  Obsolete Management
-  Cost Control Management
-  Shortage Management
-  Alternative Solution
-  Excess Inventory Management