



**THE DATASHEET OF  
PLT30-32-130B**



REV. Status

REVISION - 08/05/02 YS
REVISION A ADDED SHEET 2 SCHEMATIC 07/28/08 LM
REVISION B UPDATE LOGO'S TO STD IED 05/05/11 MP
REVISION C UPDATE SAFETY 09/29/11 MP
REVISION D ADD FUSE INFO 01/18/12 MP
REVISION E SAFETY NOTES ADDED 03/20/13 MP
REVISION F CHANGED PHONE# 01/17/20 MP

**THREE FLANGE DUAL PRIMARY 30VA PC BOARD POWER TRANSFORMER**

**A. Electrical Specifications (@ 25°C)**

- Maximum Power: 30VA
- Primary Voltage and Frequency: 115/230VAC 50/60Hz
- Secondary RMS Rating:  
(7-9); 9.3VAC @ 2.2A LOAD.  
(10-12); 27.5VAC CT @ 0.34A LOAD.
- Voltage Regulation: 25% TYP @ full load to no load
- Temperature Rise(normal op. cond.): 55°C TYP (70°C MAX)
- A 10% Input Voltage change will proportionally affect transformer sec voltage. The max. allowed wdg temp under abnormal condition is 155°C
- Insulation Resistance:  
100MΩ MIN @ 500VDC, Pri to Sec, Pri to Core, Sec to Core
- Dielectric Withstand: 3750Vrms 1 minute @ Pri to Sec  
1500Vrms 1 minute @ Pri to Core, Sec to Core

**B. Marking: includes input and output ratings**

**C. Safety:**

Conforms to construction requirement of:  
UL5085-1, -2; CSA No. 66.1, 66.2  
(from Datecode 1143 and onwards).  
UL506, UL1411  
UL1446(CLASS 130(B))  
EN61558-1, -2-6

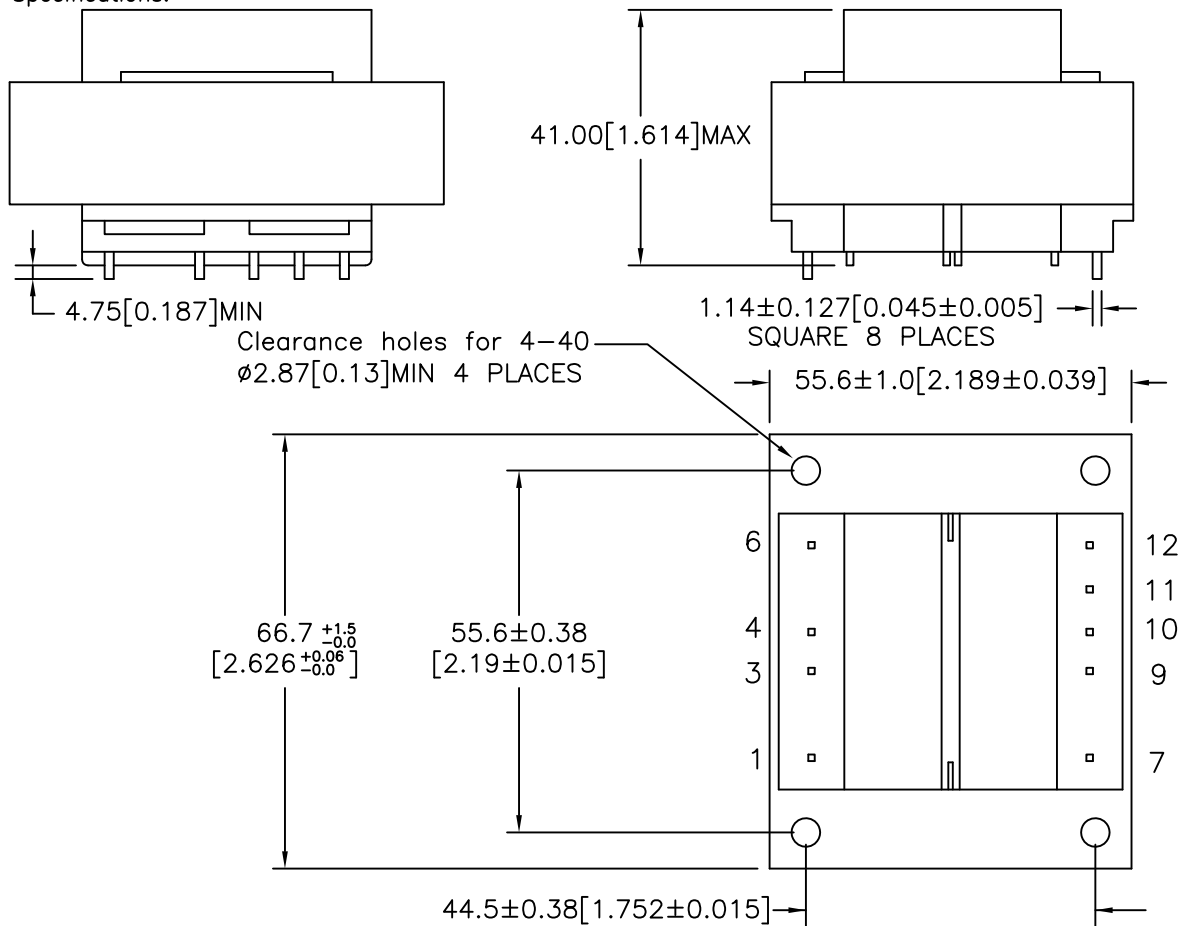


**Safety certificate file reference:**

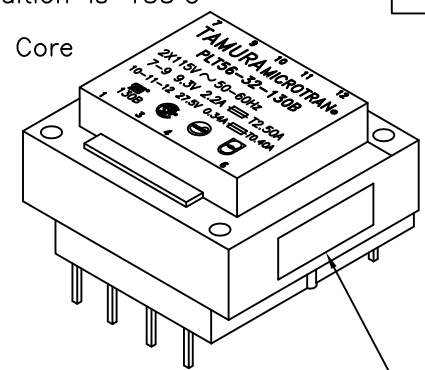
UL File# E138028, E79781, E92957  
CSA File# 175561  
TUV (P.S.) File# 4478013415698

Non short-circuit proof safety isolating transformer.  
Intended for mounting on PCBs and for building into end use-equipment.  
Not intended for series/parallel connection with other transformers.

**D. Mechanical Specifications:**



MODEL NUMBER  
**PLT30-32-130B**



PREPARED BY:

C. POPPE

NOTE: BOARD WASHING IS NOT RECOMMENDED FOR THESE PARTS.

ENGINEER:

M. PITCHAI

DRAWING CONTROL NO.  
P-A1-13112

REV  
F

MODEL DESCRIPTION  
POWER  
TRANSFORMER

MODEL SPECIFICATION  
**PLT30-32-130B**

SAFETY ENGINEER

CONTENTS OF THIS DRAWING ARE SUBJECT TO CHANGE WITHOUT PRIOR NOTICE

**TAMURA CORPORATION OF AMERICA**  
1040 SOUTH ANDREASEN DRIVE, #100 ESCONDIDO, CA. 92029  
(760) 871-2009

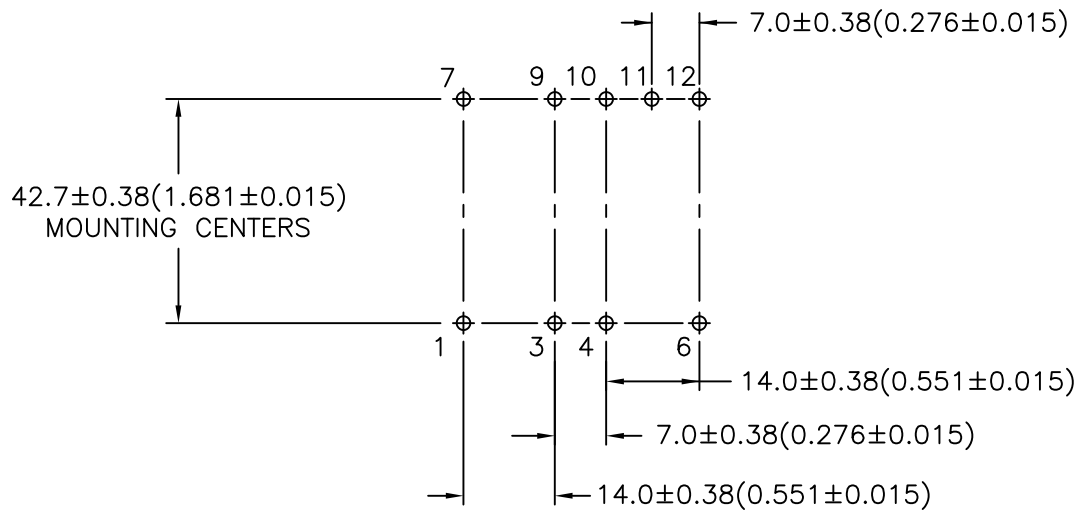
DIM: mm[In] SCL: 1/1 SH: 1 OF 2

APPROVED:

M. PITCHAI

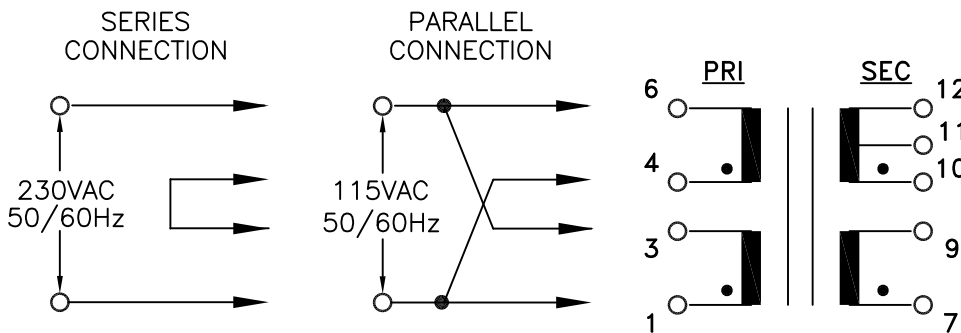
PROPRIETARY NOTICE: THIS DRAWING PRINT OR DOCUMENT AND SUBJECT MATTER DISCLOSED HEREIN ARE PROPRIETARY ITEMS TO WHICH TAMURA RETAINS THE EXCLUSIVE RIGHT OF DISSEMINATION, REPRODUCTION, MANUFACTURE AND SALE. THIS DRAWING, PRINT OR DOCUMENT IS SUBMITTED IN CONFIDENCE FOR CONSIDERATION BY THE RECIPIENT ALONE UNLESS PERMISSION FOR FURTHER DISCLOSURE IS EXPRESSLY GRANTED IN WRITING.

E. Mounting Footprint:

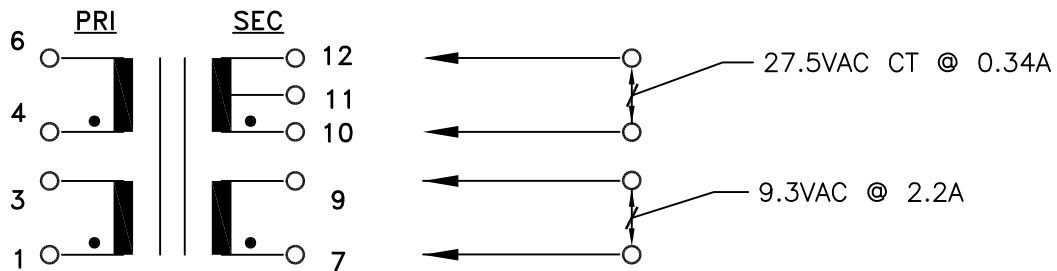


F. Schematic Diagram:

**PRIMARY INPUT CONNECTIONS**



**SECONDARY OUTPUT CONNECTIONS**



Note:

Required Secondary Fusing.  
 Winding (7-9): T2.50A  
 Winding (10-12): T0.40A  
 Fuse accordance with IEC60127-2

PREPARED BY:

C. POPPE

ENGINEER:

M. PITCHAI

SAFETY ENGINEER

DRAWING CONTROL NO.

P-A1-13112

REV

F

MODEL DESCRIPTION

POWER TRANSFORMER

MODEL SPECIFICATION

**PLT30-32-130B**

CONTENTS OF THIS DRAWING ARE SUBJECT TO CHANGE WITHOUT PRIOR NOTICE

**TAMURA CORPORATION OF AMERICA**

1040 SOUTH ANDREASEN DRIVE, #100 ESCONDIDO, CA. 92029  
(760) 871-2009

DIM: mm[In] SCL: 1/1 SH: 2 OF 2

APPROVED:

M. PITCHAI

PROPRIETARY NOTICE: THIS DRAWING PRINT OR DOCUMENT AND SUBJECT MATTER DISCLOSED HEREIN ARE PROPRIETARY ITEMS TO WHICH TAMURA RETAINS THE EXCLUSIVE RIGHT OF DISSEMINATION, REPRODUCTION, MANUFACTURE AND SALE. THIS DRAWING, PRINT OR DOCUMENT IS SUBMITTED IN CONFIDENCE FOR CONSIDERATION BY THE RECIPIENT ALONE UNLESS PERMISSION FOR FURTHER DISCLOSURE IS EXPRESSLY GRANTED IN WRITING.

## Looking for pricing, stock, or lifecycle information?

Click below to explore more details on WIN SOURCE:

 [View PLT30-32-130B on WIN SOURCE](#)

 [Tamura Information](#)

## Optimize Your Supply Chain with WIN SOURCE Solutions

-  Global Sourcing Solution
-  Obsolete Management
-  Cost Control Management
-  Shortage Management
-  Alternative Solution
-  Excess Inventory Management