



**THE DATASHEET OF
MODS-A-8P8C-G-S4**

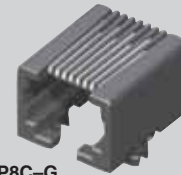




MODS-A-6P4C-G



MODS-A-6P6C-G-S



MODS-C-8P8C-G

MODS-C-6P4C-E-S



MODS-A, MODS-C SERIES

SINGLE RIGHT ANGLE MODULAR JACKS

SPECIFICATIONS

For complete specifications and recommended PCB layouts see www.samtec.com?MODS-A or www.samtec.com?MODS-C

Insulator Material:

PBT Glass Filled

Contact Material:

Phosphor Bronze

Shield Material:

Copper Alloy

Plating:

Gold on Contacts,

Nickel on Shield

Operating Temp Range:

-25°C to +90°C

Current Rating:

1.5 A per contact

Voltage Rating: 120 VAC

Contact Resistance:

20 mΩ max

Minimum Cycles:

500

System Application:

CAT3

Packaging:

Packaged and shipped in Bulk Packaging Trays; Trays suitable for automation are available upon request.

RoHS Compliant:

Yes

Lead-Free Solderable:

Yes (Wave Solder only)



MODS - A -

POSITIONS CONTACTS

PLATING

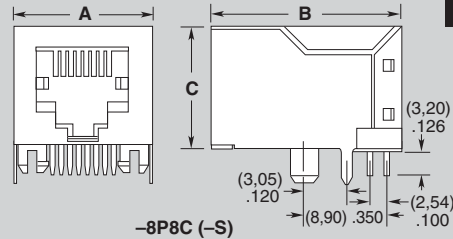
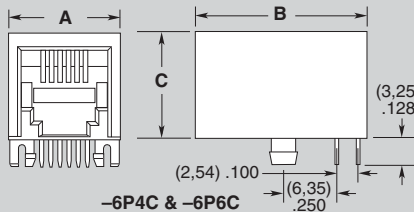
SHIELD OPTION

- 6P4C = 6 Positions 4 Contacts
- 6P6C = 6 Positions 6 Contacts
- 8P8C = 8 Positions 8 Contacts

- G = 15μ" (0,38 μm)
Gold on Mating Area,
Gold Flash on Tails
- E = 50μ" (1,27μm)
Gold on Mating Area,
Gold Flash on Tails

- (Leave Blank for Unshielded)
- S = Shielded (No Panel Grounds)
- S4 = Shielded with Top, Bottom and Side Panel Grounds

POSITIONS CONTACTS	A	B	C
-6PXC	(13,21) .520	(20,54) .809	(12,70) .500
-8P8C	(15,24) .600		
-6PXC (-S)	(13,94) .549	(21,20) .835	(13,60) .535
-8P8C (-S)	(15,98) .629		



APPLICATION SPECIFIC OPTION

Other plating options available. Call Samtec.

MODS - C -

POSITIONS CONTACTS

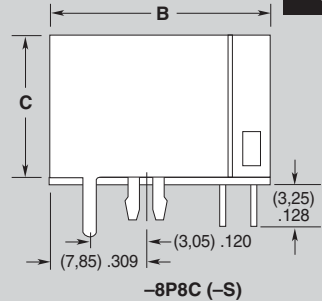
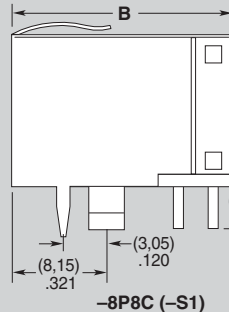
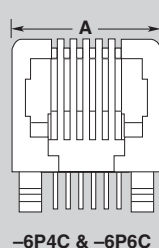
PLATING

SHIELD OPTION

- 6P4C = 6 Positions 4 Contacts
- 6P6C = 6 Positions 6 Contacts
- 8P8C = 8 Positions 8 Contacts

- G = 15μ" (0,38 μm)
Gold on Mating Area,
Gold Flash on Tails
- E = 50μ" (1,27μm)
Gold on Mating Area,
Gold Flash on Tails

- (Leave Blank for Unshielded)
- S = Shielded (No Panel Grounds)
- S1 = Shielded with Top and Bottom Panel Grounds



POSITIONS CONTACTS	A	B	C
-6PXC	(13,21) .520	(18,00) .709	(11,70) .461
-8P8C	(15,20) .598		
-6PXC (-S)	(14,00) .551	(18,80) .740	(12,20) .480
-8P8C (-S)	(15,90) .626		

Due to technical progress, all designs, specifications and components are subject to change without notice.

WWW.SAMTEC.COM

Looking for pricing, stock, or lifecycle information?

Click below to explore more details on WIN SOURCE:

 [View MODS-A-8P8C-G-S4 on WIN SOURCE](#)

 [Samtec Inc. Information](#)

Optimize Your Supply Chain with WIN SOURCE Solutions

-  Global Sourcing Solution
-  Obsolete Management
-  Cost Control Management
-  Shortage Management
-  Alternative Solution
-  Excess Inventory Management