

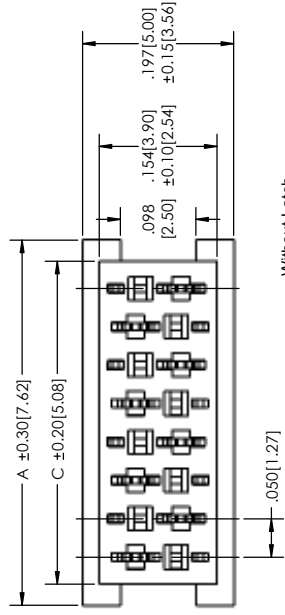
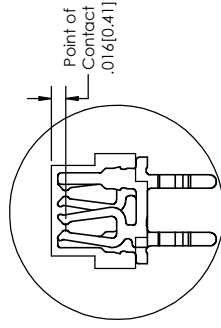
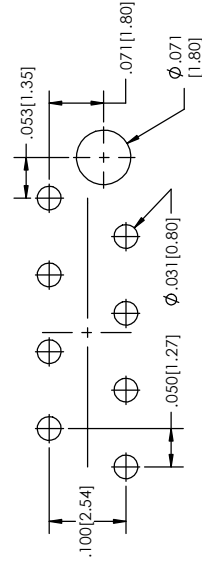


**THE DATASHEET OF
MICRO-03-02-2-LF**

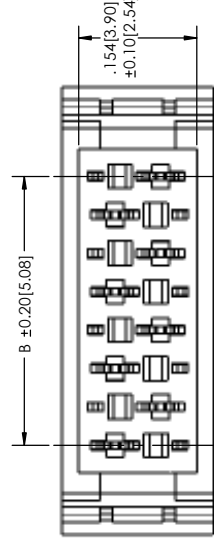
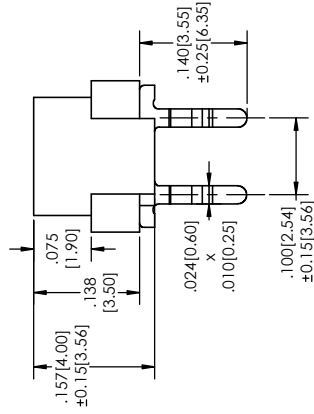


Recommended P.C. Board Layout

SCALE 8:1



Without Latch Version



With Latch Version Provides Latched Connection in Wire To Board Application With Micro-05 Cable Connector

With Latch V		
Plins Per Row	A	B
2	9.70	3.81
3	12.24	6.35
4	14.78	8.89
5	17.32	11.43
6	19.86	13.97
7	22.40	16.51
8	24.94	19.05
9	27.48	21.59
10	30.02	24.13

Tails Products

UNLESS OTHERWISE SPECIFIED:

DIMENSIONS ARE IN INCHES
TOLERANCES:
ONE DECIMAL ±.100
TWO DECIMAL ±.005
THREE DECIMAL ±.002
FOUR DECIMAL ±.002

PROPERTY AND CONFIDENTIAL INFORMATION CONTAINED IN THIS DRAWING IS THE PROPERTY OF METROLOGIC ELECTRONICS, INC. ANY REPRODUCTION OR TRANSMISSION OF THIS DRAWING WITHOUT THE WRITTEN PERMISSION OF Metrologia Electronics, Inc. IS PROHIBITED.

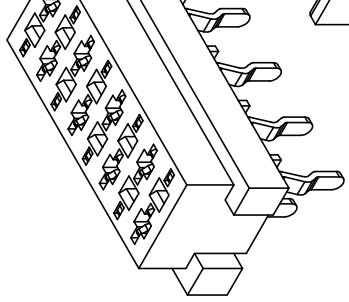


NEW ASSEMBLY USE ON DRAWING

DO NOT SCALE DRAWING



MICRO - 03 - X ()

- A. Pins Per Row - 2 through 10
 - B. Locking Type - 2= Without Latch - 1= With Latch
 - C. Lead Free
- Specifications:
Current Rating: 1.0 A
Insulation Resistance: 1000 MΩ
Withstanding Voltage: 250 VDC
Contact Resistance: 2 mΩ
Operation Temperature: -40 to 125°C
- Materials:
Contact Material: Phosphor
Insulator Material: High Temperature Polyethylene
Contact Plating: Sn Over Silver
Packing: Tube without Tray
- Termination:
PCB
Polarized by PCB cut
Polarization achieved by marking
Orientation of connector



Looking for pricing, stock, or lifecycle information?

Click below to explore more details on WIN SOURCE:

-  [View MICRO-03-02-2-LF on WIN SOURCE](#)
-  [Major League Electronics Information](#)

Optimize Your Supply Chain with WIN SOURCE Solutions

-  Global Sourcing Solution
-  Obsolete Management
-  Cost Control Management
-  Shortage Management
-  Alternative Solution
-  Excess Inventory Management