



**THE DATASHEET OF
MAX4678EPE+**



2Ω, Quad, SPST, CMOS Analog Switches

MAX4677/MAX4678/ MAX4679

General Description

The MAX4677/MAX4678/MAX4679 quad analog switches feature 1.6Ω max on-resistance (R_{ON}) when operating from a dual ±5V supply. R_{ON} is matched between channels to 0.3Ω max and is flat (0.4Ω max) over the specified signal range. Each switch can handle Rail-to-Rail® analog signals. Off-leakage current is 0.1nA at +25°C. These switches are ideal in low-distortion applications and are the preferred solution over mechanical relays in automated test equipment. They have low power requirements, require less board space, and are more reliable than mechanical relays.

The MAX4677 has four normally closed (NC) switches, and the MAX4678 has four normally open (NO) switches. The MAX4679 has two NC and two NO switches and features guaranteed break-before-make switching.

The MAX4677/MAX4678/MAX4679 operate from either a single +2.7V to +11V or dual ±2.7V to ±5.5V supplies, making them ideal for use in digital card applications and single-ended 75Ω systems.

These devices feature a separate logic supply input that operates from +2.7V to V+, allowing independent logic and analog supplies.

Applications

- Reed Relay Replacement
- Test Equipment
- Communications Systems
- Audio Signal Routing
- Avionics
- ADC Systems
- Data-Acquisition Systems
- PBX/PABX Systems

Features

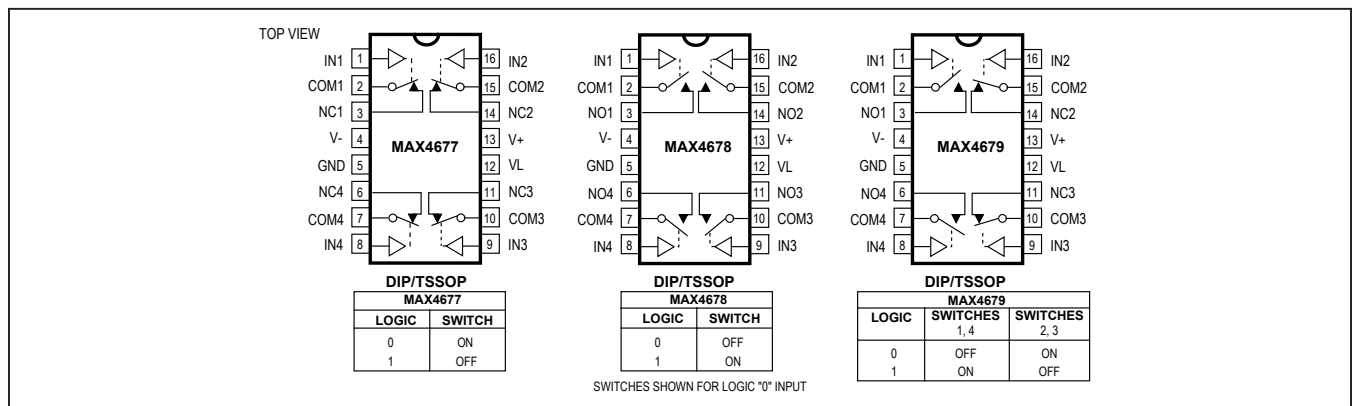
- On-Resistance 1.6Ω max
- On-Resistance Flatness 0.4Ω max
- On-Resistance Matching 0.3Ω max
- Dual ±2.7V to ±5.5V or Single +2.7V to +11V Supply Range
- TTL/CMOS-Logic Compatible
- Crosstalk -84dB at 1MHz
- Off-Isolation -65dB at 1MHz
- -3dB Bandwidth: 66MHz
- Rail-to-Rail Signal Range

Ordering Information

PART	TEMP. RANGE	PIN-PACKAGE
MAX4677EUE	-40°C to +85°C	16 TSSOP
MAX4677EPE	-40°C to +85°C	16 DIP
MAX4678EUE	-40°C to +85°C	16 TSSOP
MAX4678EPE	-40°C to +85°C	16 DIP
MAX4679EUE	-40°C to +85°C	16 TSSOP
MAX4679EPE	-40°C to +85°C	16 DIP

Rail-to-Rail is a registered trademark of Nippon Motorola, Ltd.

Pin Configurations/Functional Diagrams/Truth Tables



Absolute Maximum Ratings

V+ to GND.....-0.3V to +12V
 V- to GND.....+0.3V to -12V
 V+ to V-+12V
 VL, IN_ to GND (Note 1).....-0.3V to (V+ + 0.3V)
 VCOM_, VNC_, VNO_ (Note 1).....V- to V+
 Current (any terminal).....±50mA
 Continuous Current (COM_, NC_, NO_).....±100mA
 Peak Current (COM_, NC_, NO_ pulsed at 1ms 10% duty cycle).....±200mA

Continuous Power Dissipation (TA = +70°C)
 16-Pin Plastic DIP (derate 10.5mW/°C above +70°C)..842mW
 16-Pin TSSOP (derate 5.7mW/°C above +70°C).....457mW
 Operating Temperature Range.....-40°C to +85°C
 Storage Temperature Range.....-65°C to +150°C
 Junction Temperature.....+150°C
 Lead Temperature (soldering, 10s).....+300°C

Note 1: Package thermal resistances were obtained using the method described in JEDEC specification JESD51-7, using a four-layer board. For detailed information on package thermal considerations, refer to www.maximintegrated.com/thermal-tutorial.

Stresses beyond those listed under "Absolute Maximum Ratings" may cause permanent damage to the device. These are stress ratings only, and functional operation of the device at these or any other conditions beyond those indicated in the operational sections of the specifications is not implied. Exposure to absolute maximum rating conditions for extended periods may affect device reliability.

Electrical Characteristics—Dual Supplies

(V+ = +5V ±10%, V- = -5V ±10%, VL = +2.7V to V+, GND = 0, VIH = +2.4V, VIL = +0.8V, TA = TMIN to TMAX, unless otherwise noted. Typical values are at TA = +25°C.) (Note 2)

PARAMETER	SYMBOL	CONDITIONS	MIN	TYP	MAX	UNITS	
ANALOG SWITCH							
Input Voltage Range	VCOM_, VNO_, VNC_		V-		V+	V	
On-Resistance	RON	V+ = 4.5V, V- = -4.5V, ICOM_ = 50mA, VNO_ or VNC_ = ±3.3V	TA = +25°C	1.2	1.6	Ω	
			TA = TMIN to TMAX		2		
On-Resistance Match Between Channels (Note 3)	ΔRON	V+ = 4.5V, V- = -4.5V, ICOM_ = 50mA, VNO_ or VNC_ = ±3.3V	TA = +25°C	0.2	0.3	Ω	
			TA = TMIN to TMAX		0.5		
On-Resistance Flatness (Note 4)	RFLAT	V+ = 4.5V, V- = -4.5V, ICOM_ = 50mA, VNO_ or VNC_ = ±3.3V, 0	TA = +25°C	0.2	0.4	Ω	
			TA = TMIN to TMAX		0.5		
NC_ or NO_ Off-Leakage Current (Note 5)	IN_(OFF)	V+ = +5.5V, V- = -5.5V, VNO_ or VNC_ = ±4.5V, VCOM_ = +4.5V	TA = +25°C	-1	0.1	1	nA
			TA = TMIN to TMAX	-10		10	
COM_ Off-Leakage Current (Note 5)	ICOM_(OFF)	V+ = +5.5V, V- = -5.5V, VNO_ or VNC_ = ±4.5V, VCOM_ = +4.5V	TA = +25°C	-1	0.1	1	nA
			TA = TMIN to TMAX	-10		10	
COM_ On-Leakage Current (Note 5)	ICOM_(ON)	V+ = +5.5V, V- = -5.5V, VCOM_ = ±4.5V, VNO_ or VNC_ = ±4.5V or floating	TA = +25°C	-2	0.2	2	nA
			TA = TMIN to TMAX	-25		25	
LOGIC INPUT							
Input Logic High	VIH	VL = V+	2.4			V	
Input Logic Low	VIL	VL = V+			0.8	V	
Input Leakage Current	IIN	VL = V+	-1	0.005	1	μA	

Electrical Characteristics—Dual Supplies (continued)

(V+ = +5V ±10%, V- = -5V ±10%, VL = +2.7V to V+, GND = 0, VIH = +2.4V, VIL = +0.8V, TA = TMIN to TMAX, unless otherwise noted. Typical values are at TA = +25°C.) (Note 2)

PARAMETER	SYMBOL	CONDITIONS	MIN	TYP	MAX	UNITS
POWER SUPPLY						
Positive Supply Voltage	V+		+2.7		+5.5	V
Negative Supply Voltage	V-		-2.7		-5.5	V
Logic Supply Voltage	VL		2.7		V+	V
Positive Supply Current	I+	IN_ = GND or VL		0.001	1	μA
Negative Supply Current	I-	IN_ = GND or VL			-1	μA
Logic Supply Current	IL	IN_ = GND or VL			1	μA
Ground Current	IGND	IN_ = 0 or V+, V+ = 5.5V, V- = -5.5V			1	μA
DYNAMIC						
Turn-On Time	tON	V+ = +4.5V, V- = -4.5V, VNC_ or VNO_ = ±3.3V, VL = V+, Figure 2	TA = +25°C	200	350	ns
			TA = TMIN to TMAX		500	
Turn-Off Time	tOFF	V+ = +4.5V, V- = -4.5V, VNC_ or VNO_ = ±3.3V, VL = V+, Figure 2	TA = +25°C	110	150	ns
			TA = TMIN to TMAX		350	
Break-Before-Make Delay	tBBM	Figure 3, MAX4679 only, RL = 300Ω, CL = 35pF	5			ns
Charge Injection	Q	RGEN = 0, CL = 1nF, VGEN = 0, Figure 4		85		pC
Off-Isolation	VISO	RL = 50Ω, CL = 5pF, f = 1MHz, Figure 5a		-65		dB
Crosstalk		RL = 50Ω, CL = 5pF, f = 1MHz, Figure 6a		-84		dB
-3dB Bandwidth	BW	RS = 50Ω, RL = 50Ω, Figure 7a		66		MHz
NC or NO Off-Capacitance	C(N_OFF)	f = 1MHz, Figure 8a		85		pF
COM Off-Capacitance	C(COMOFF)	f = 1MHz, Figure 8a		85		pF
On-Capacitance	C(ON)	f = 1MHz, Figure 8b		350		pF

Electrical Characteristics—Single Supply

(V+ = +5V ±10%, V- = 0, VL = +2.7V to V+, GND = 0, VIH = +2.4V, VIL = +0.8V, TA = TMIN to TMAX, unless otherwise noted. Typical values are at TA = +25°C.) (Note 2)

PARAMETER	SYMBOL	CONDITIONS	MIN	TYP	MAX	UNITS	
ANALOG SWITCH							
Input Voltage Range	VCOM_, VNO_, VNC_		0		V+	V	
On-Resistance	RON	V+ = +4.5V, ICOM_ = 50mA, VNO_ or VNC_ = 3.3V	TA = +25°C	1.8	2.7	Ω	
			TA = TMIN to TMAX		3.5		
On-Resistance Match Between Channels (Note 3)	ΔRON	V+ = +4.5V, ICOM_ = 50mA, VNO_ or VNC_ = 3.3V	TA = +25°C	0.05	0.15	Ω	
			TA = TMIN to TMAX		0.3		
On-Resistance Flatness (Note 4)	RFLAT	V+ = +4.5V, ICOM_ = 50mA, VNO_ or VNC_ = 3.3V, 1.5V	TA = +25°C	0.15	0.25	Ω	
			TA = TMIN to TMAX		0.4		
NC_ or NO_ Off-Leakage Current (Note 5)	IN_(OFF)	V+ = +5.5V; VNO_ or VNC_ = 4.5V, 1V; VCOM_ = 1V, 4.5V	TA = +25°C	-1	0.1	1	nA
			TA = TMIN to TMAX	-10		10	
COM_ Off-Leakage Current (Note 5)	ICOM_(OFF)	V+ = +5.5V; VNO_ or VNC_ = 4.5V, 1V; VCOM_ = 1V, 4.5V	TA = +25°C	-1	0.1	1	nA
			TA = TMIN to TMAX	-10		10	
COM_ On-Leakage Current (Note 5)	ICOM_(ON)	V+ = +5.5V; VCOM_ = 1V, 4.5V; VNO_ or VNC_ = 1V, 4.5V, or floating	TA = +25°C	-2	0.2	2	nA
			TA = TMIN to TMAX	-25		25	
LOGIC INPUT							
Input Low Voltage	VIL	VL = V+			0.8	V	
Input High Voltage	VIH	VL = V+	2.4			V	
Input Leakage Current	IIN	VL = V+	-1	0.005	1	μA	
POWER SUPPLY							
Positive Supply Voltage	V+		2.7		6	V	
Logic Supply Voltage	VL		2.7		V+	V	
Positive Supply Current	I+	VIN_ = 0 or VL, VL = V+		1	1	μA	
Logic Supply Current	IL	VIN_ = 0 or VL, V+ = 5.5V			1	μA	
Ground Current	IGND	VIN_ = 0 or VL, V+ = 5.5V		1	10	μA	
DYNAMIC							
Turn-On Time	tON	VL = V+, V+ = +4.5V; VNC_ or VNO_ = 3.3V, RL = 300Ω, CL = 35pF, Figure 2	TA = +25°C	600	1000	ns	
			TA = TMIN to TMAX		1400		
Turn-Off Time	tOFF	VL = V+, V+ = +4.5V; VNC_ or VNO_ = 3.3V, RL = 300Ω, CL = 35pF, Figure 2	TA = +25°C	120	165	ns	
			TA = TMIN to TMAX		400		

Electrical Characteristics– Single Supply (continued)

(V+ = +5V ±10%, V- = 0, VL = +2.7V to V+, GND = 0, VIH = +2.4V, VIL = +0.8V, TA = TMIN to TMAX, unless otherwise noted. Typical values are at TA = +25°C.) (Note 2)

PARAMETER	SYMBOL	CONDITIONS	MIN	TYP	MAX	UNITS
Break-Before- Make Delay	t _{BBM}	MAX4679 only, RL = 300Ω, CL = 35pF, Figure 3	5			ns
Charge Injection	Q	RGEN = 0, CL = 1nF, VGEN = 0, Figure 4		9		pC
Off-Isolation	V _{ISO}	RL = 50Ω, CL = 5pF, f = 1MHz, Figure 5b		-65		dB
Crosstalk		RL = 50Ω, CL = 5pF, f = 1MHz, Figure 6b		-84		dB
-3dB Bandwidth	BW	RS = 50Ω, RL = 50Ω, Figure 7b		63		MHz
NC or NO Off-Capacitance	C _(N_OFF)	f = 1MHz, Figure 8a		85		pF
COM Off-Capacitance	C _(COMOFF)	f = 1MHz, Figure 8a		85		pF
On-Capacitance	C _(ON)	f = 1MHz, Figure 8b		350		pF

Note 2: The algebraic convention, where the most negative value is a minimum and the most positive value a maximum, is used in this data sheet.

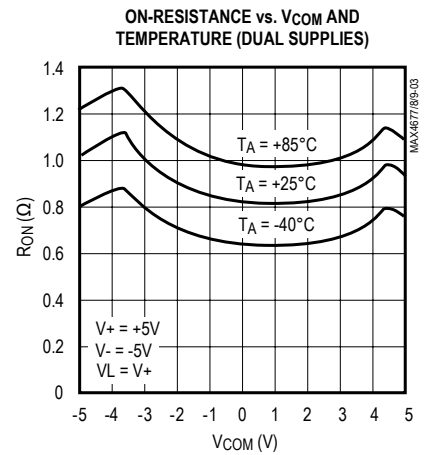
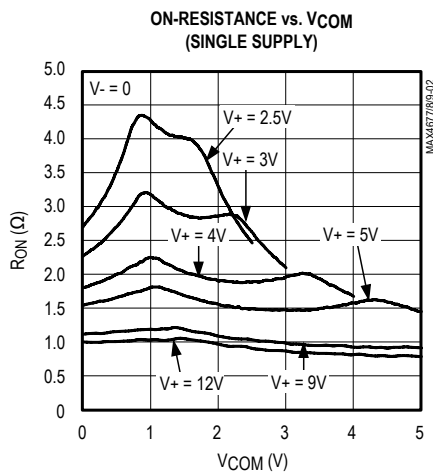
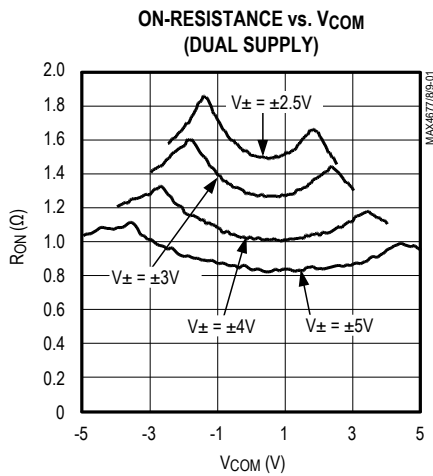
Note 3: ΔRON = RON(MAX) - RON(MIN).

Note 4: Flatness is defined as the difference between the maximum and minimum value of on-resistance as measured over the specified analog signal ranges.

Note 5: Leakage parameters are 100% tested at maximum-rated hot operating temperature and the highest supply voltage, and guaranteed by correlation at +25°C.

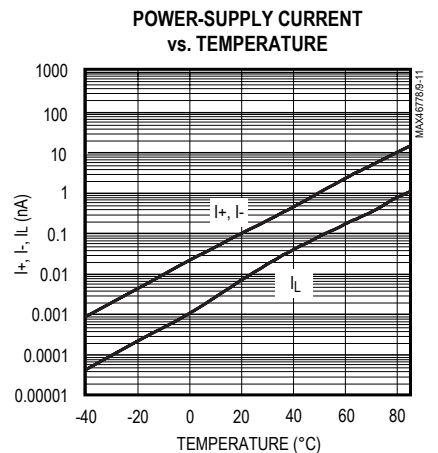
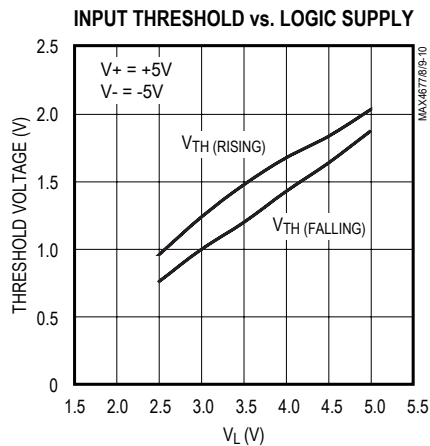
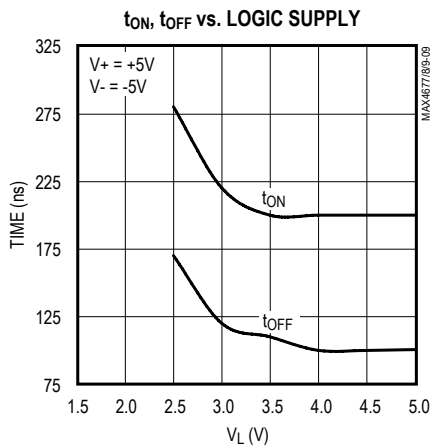
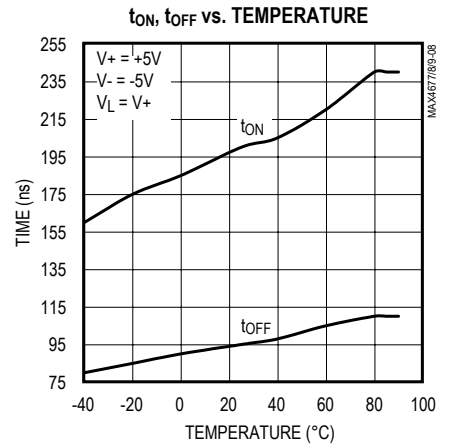
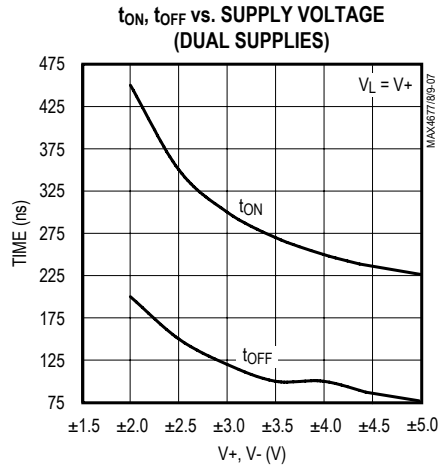
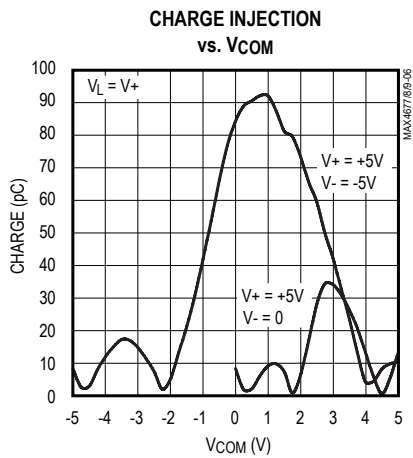
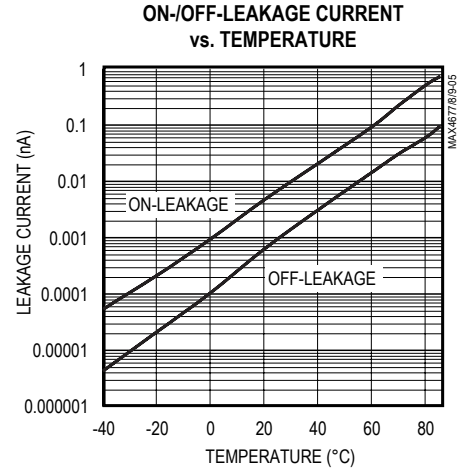
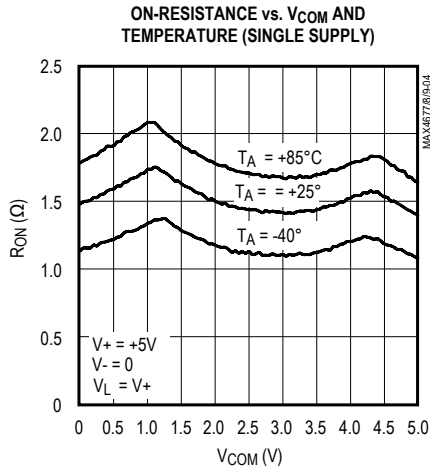
Typical Operating Characteristics

(TA = +25°C, unless otherwise noted.)



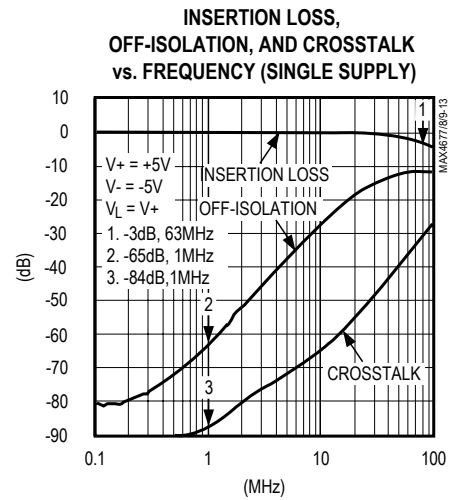
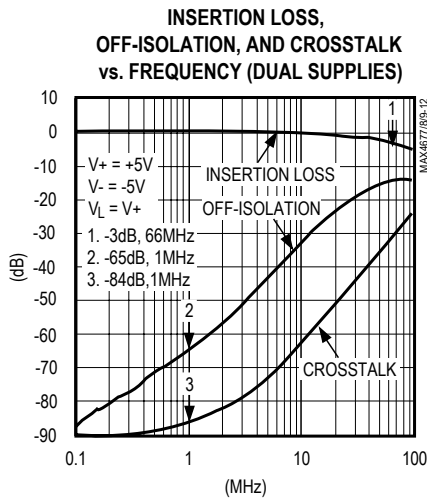
Typical Operating Characteristics (continued)

($T_A = +25^\circ\text{C}$, unless otherwise noted.)



Typical Operating Characteristics (continued)

(T_A = +25°C, unless otherwise noted.)



Pin Description

PIN			NAME	FUNCTION
MAX4677	MAX4678	MAX4679		
1, 8, 9, 16	1, 8, 9, 16	1, 8, 9, 16	IN1, IN2, IN3, IN4	Logic Inputs
2, 7, 10, 15	2, 7, 10, 15	2, 7, 10, 15	COM1, COM2, COM3, COM4	Analog Switch Common Terminals
3, 6, 11, 14	—	—	NC1, NC2, NC3, NC4	Analog Switch Normally Closed Terminals
—	3, 6, 11, 14	—	NO1, NO2, NO3, NO4	Analog Switch Normally Open Terminals
—	—	3, 6	NO1, NO4	Analog Switch Normally Open Terminals
—	—	11, 14	NC2, NC3	Analog Switch Normally Closed Terminals
4	4	4	V ₋	Negative Supply-Voltage Input. Connect to GND for single-supply operation.
5	5	5	GND	Ground
12	12	12	V _L	Logic Supply Input
13	13	13	V ₊	Positive Supply Input

Applications Information

Overvoltage Protection

Proper power-supply sequencing is recommended for all CMOS devices. Do not exceed the absolute maximum ratings because stresses beyond the listed ratings can cause permanent damage to the devices. Always sequence V+ on first, then V-, then VL followed by the logic inputs, NO-, NC-, or COM. If proper power-supply sequencing is not possible, add two small signal diodes (D1, D2) in series with the supply pins, and a Schottky diode between V+ and VL for overvoltage protection (Figure 1). Adding diodes reduces the analog signal range to one diode drop below V+ and one diode drop above V-, but does not affect the devices' low switch resistance and low leakage characteristics. Device operation is unchanged, and the difference between V+ and V- should not exceed 11V.

Power-supply bypassing improves noise margin and prevents switching noise from propagating from the V+ supply to other components. A 0.1μF capacitor connected from V+ to GND is adequate for most applications.

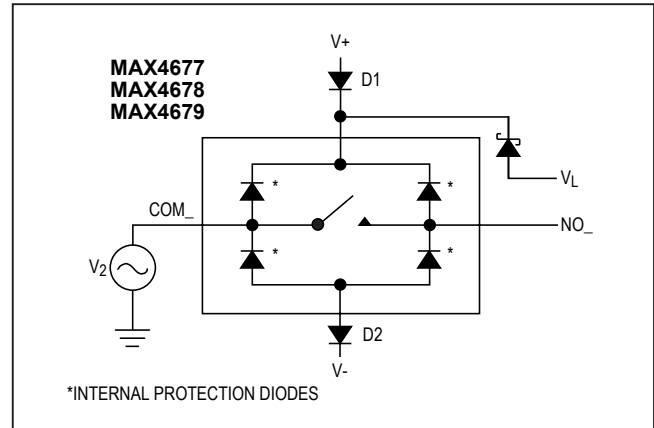


Figure 1. Overvoltage Protection Using External Blocking Diodes

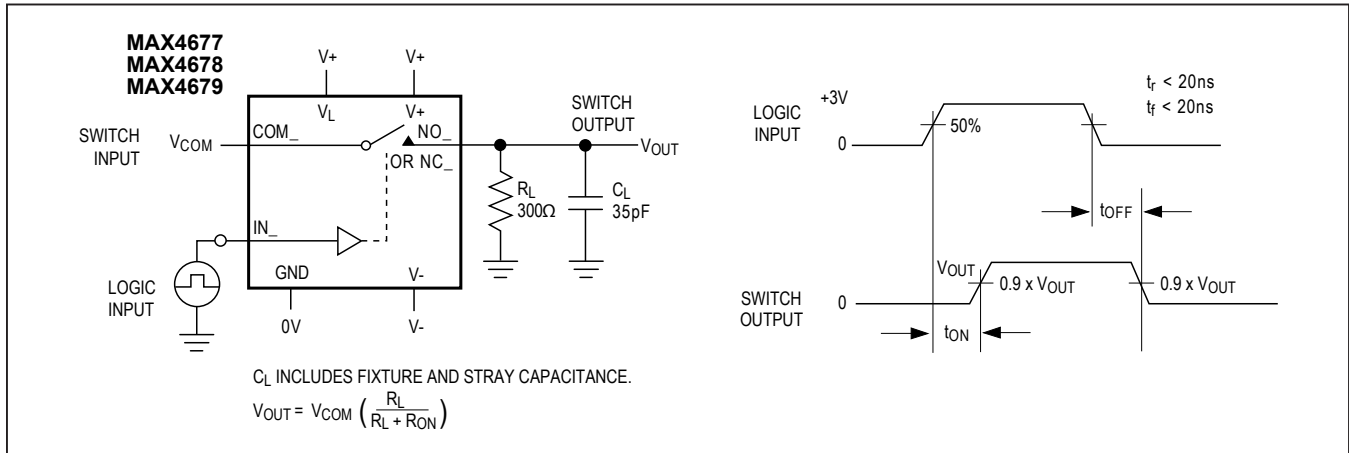


Figure 2. Switching Time

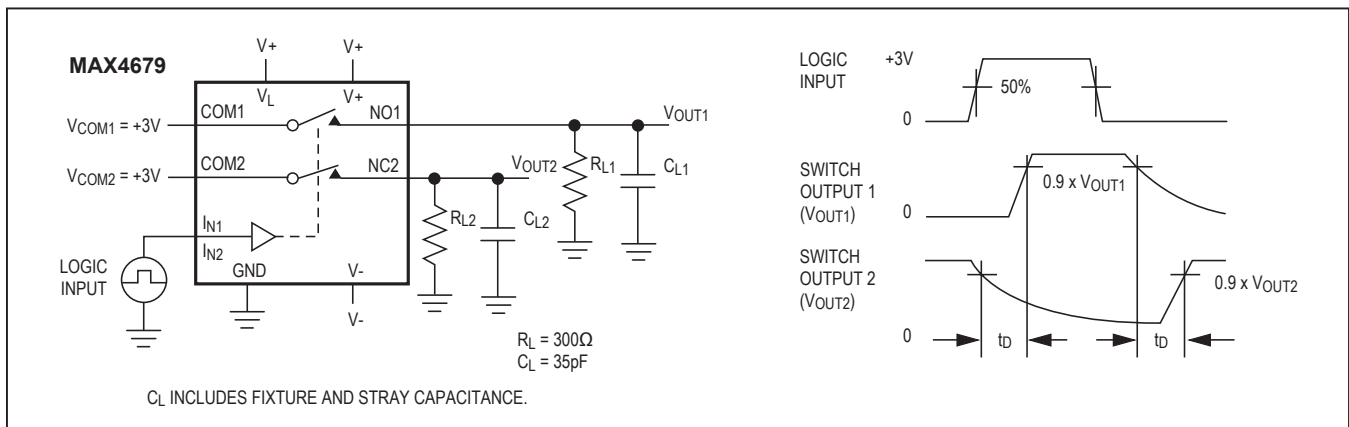


Figure 3. Break-Before-Make Interval (MAX4679 Only)

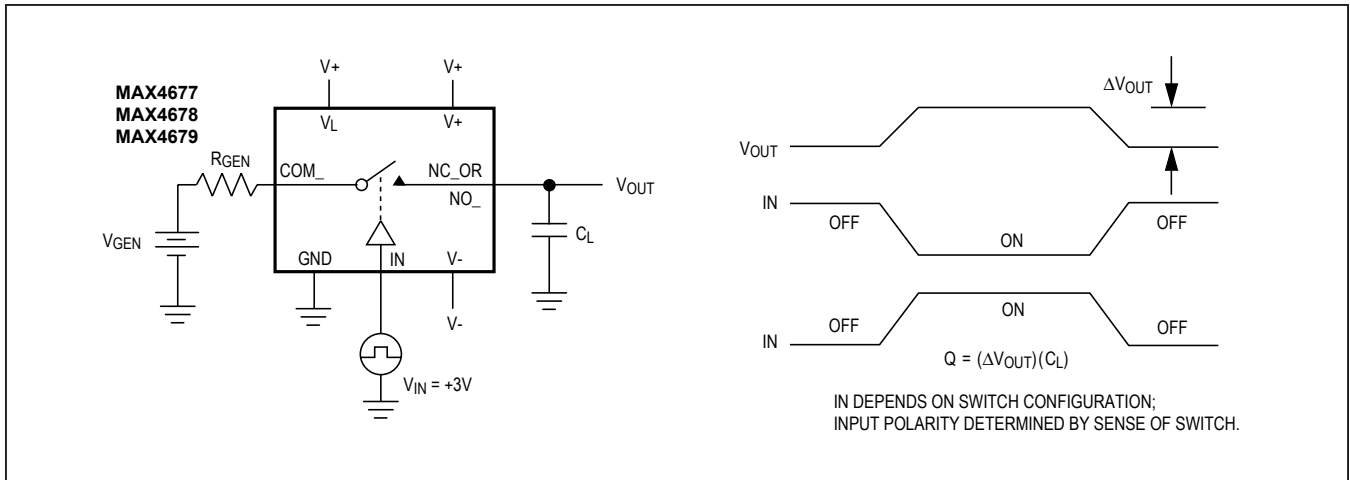


Figure 4. Charge Injection

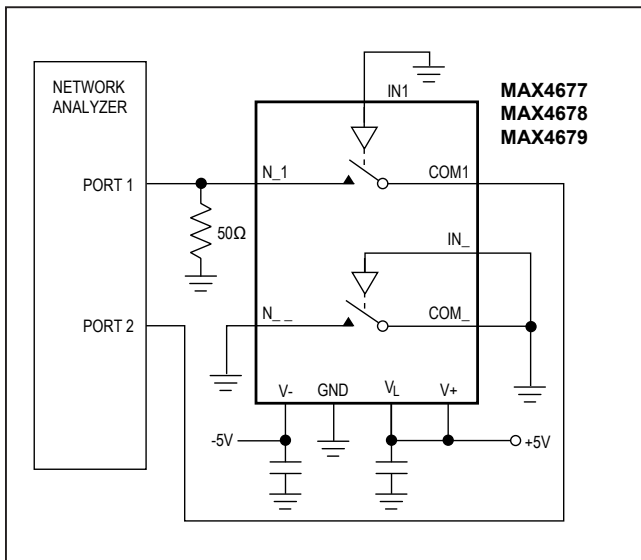


Figure 5a. Off-Isolation Test Circuit, Dual Supplies

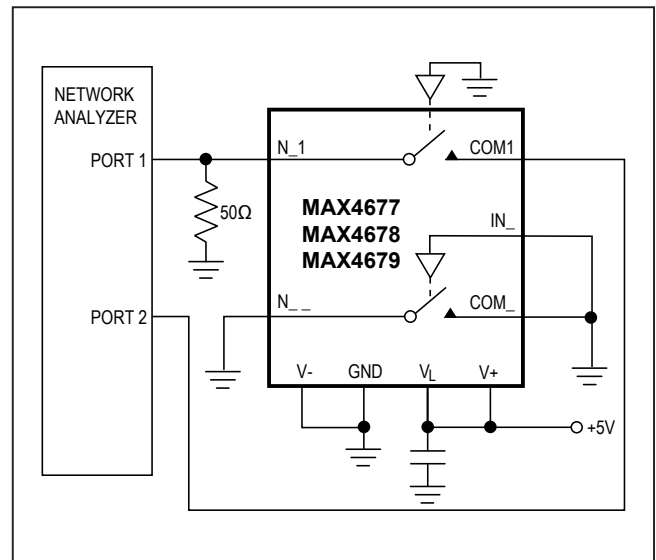


Figure 5b. Off-Isolation Test Circuit, Single Supply

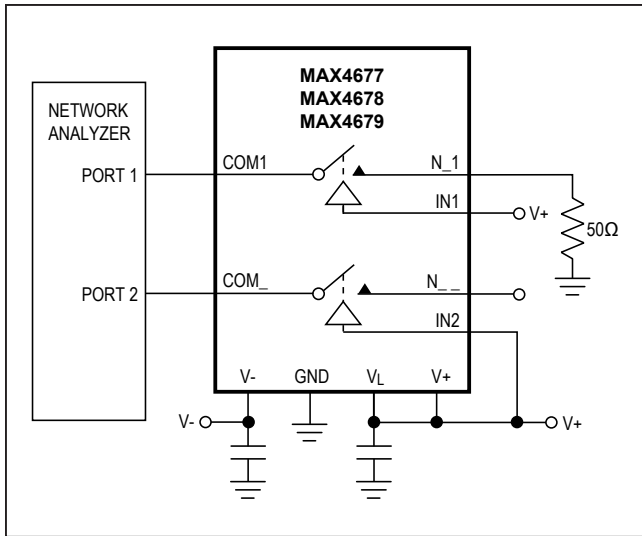


Figure 6a. Crosstalk Test Circuit, Dual Supplies

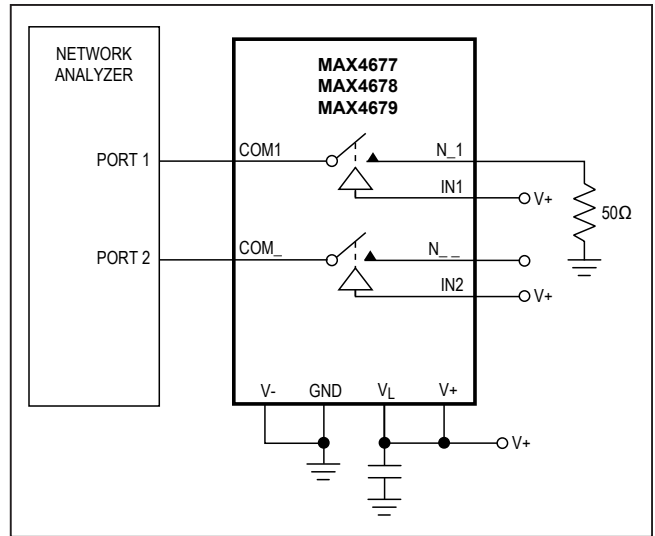


Figure 6b. Crosstalk Test Circuit, Single Supply

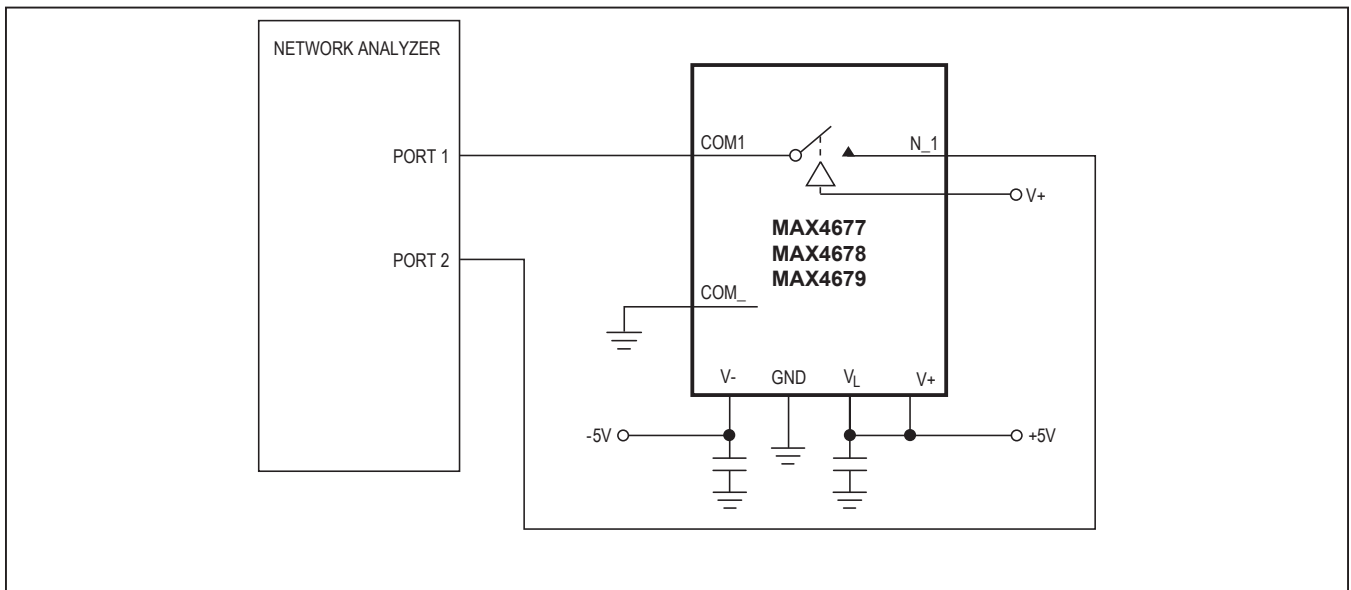


Figure 7a. Insertion Loss Test Circuit, Dual Supplies

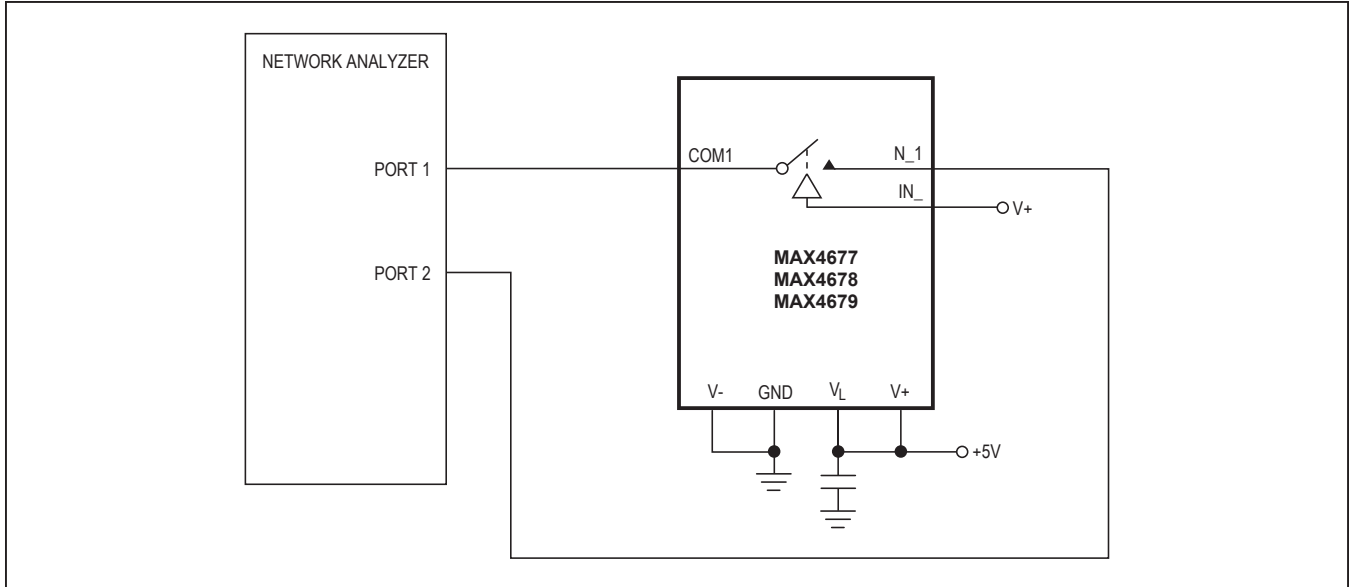


Figure 7b. Insertion Loss Test Circuit, Single Supply

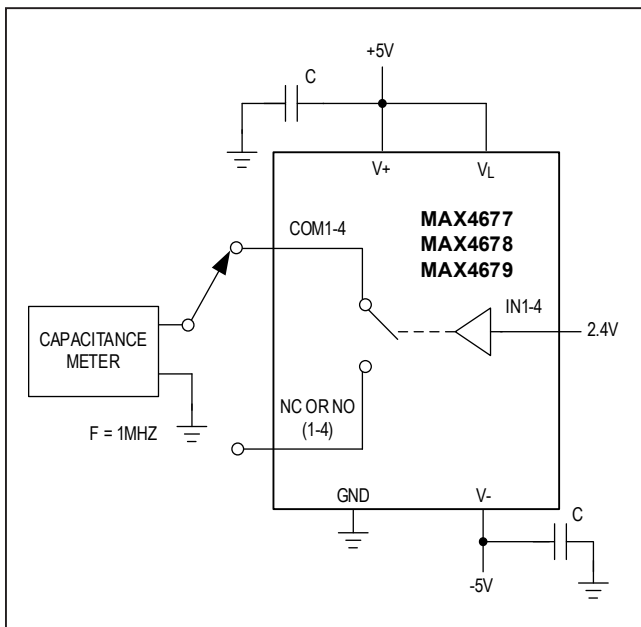


Figure 8a. Channel Off-Capacitance

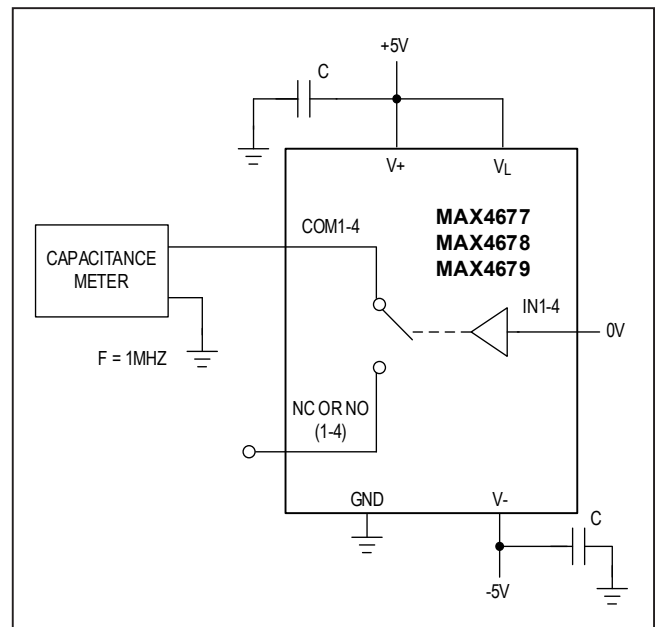


Figure 8b. Channel On-Capacitance

Chip Information

TRANSISTOR COUNT: 240

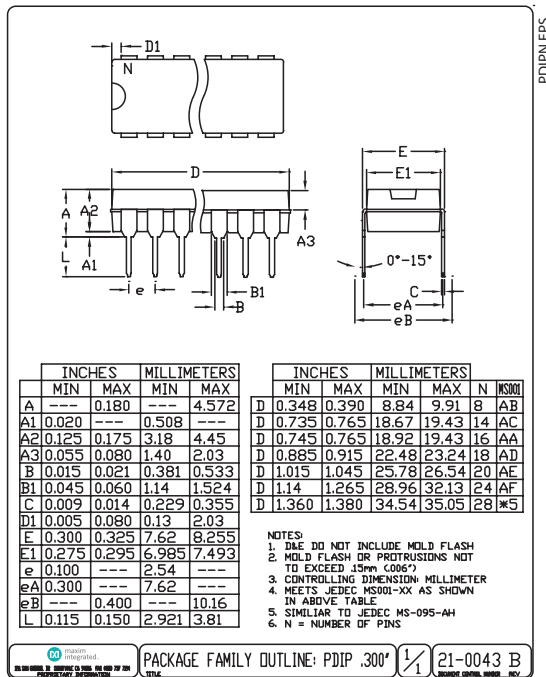
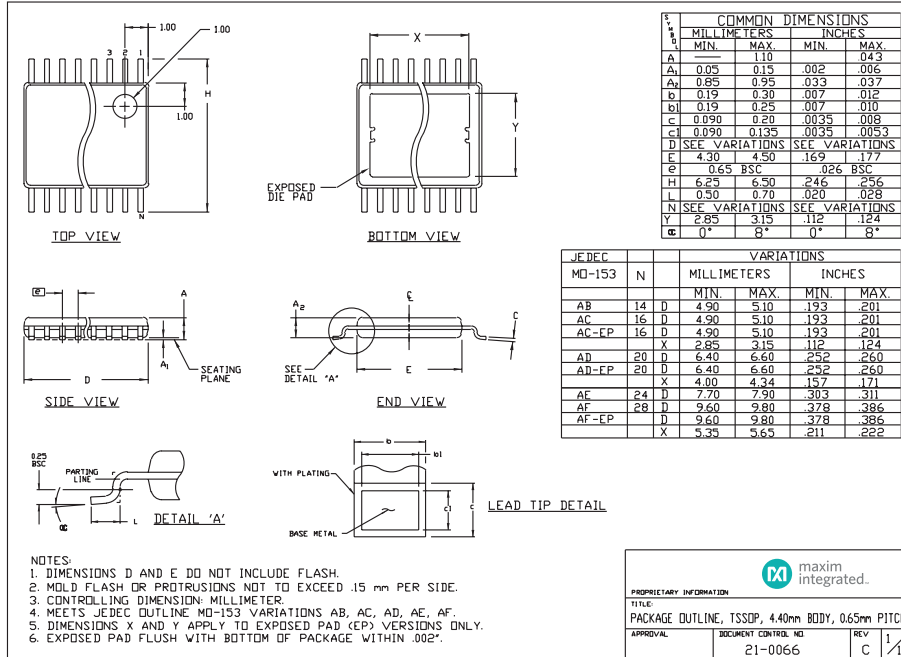
PROCESS: CMOS

MAX4677/MAX4678/ MAX4679

2Ω, Quad, SPST, CMOS Analog Switches

Package Information

For the latest package outline information and land patterns (footprints), go to www.maximintegrated.com/packages. Note that a "+", "#", or "-" in the package code indicates RoHS status only. Package drawings may show a different suffix character, but the drawing pertains to the package regardless of RoHS status.



Revision History

REVISION NUMBER	REVISION DATE	DESCRIPTION	PAGES CHANGED
0	4/00	Initial release	—
1	4/21	Added Figure 8a and Figure 8b	11, 12



Information furnished by Analog Devices is believed to be accurate and reliable. However, no responsibility is assumed by Analog Devices for its use, nor for any infringements of patents or other rights of third parties that may result from its use. Specifications subject to change without notice. No license is granted by implication or otherwise under any patent or patent rights of Analog Devices. Trademarks and registered trademarks are the property of their respective owners.

Looking for pricing, stock, or lifecycle information?

Click below to explore more details on WIN SOURCE:

 [View MAX4678EPE+ on WIN SOURCE](#)

 [Maxim Integrated](#) Information

Optimize Your Supply Chain with WIN SOURCE Solutions

-  Global Sourcing Solution
-  Obsolete Management
-  Cost Control Management
-  Shortage Management
-  Alternative Solution
-  Excess Inventory Management