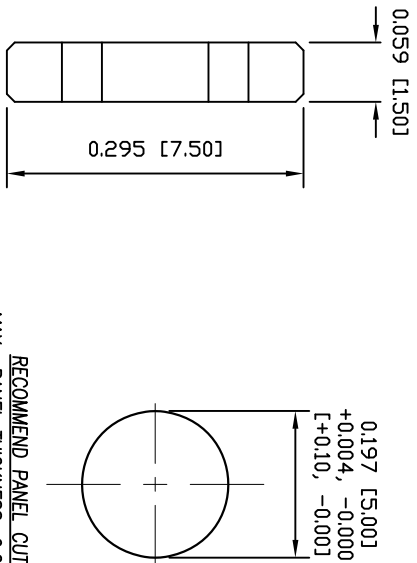




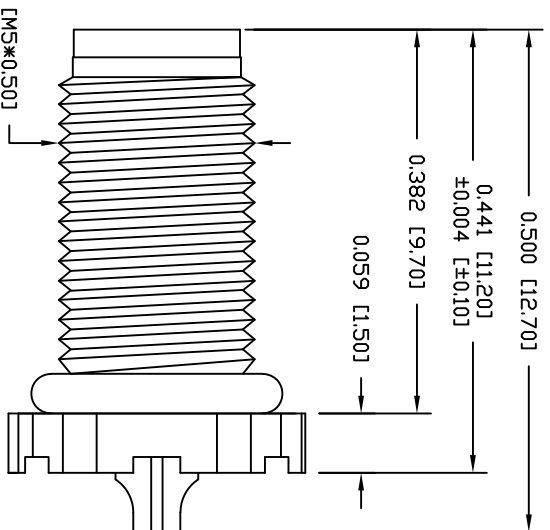
THE DATASHEET OF
851-004-103R001





RECOMMEND PANEL CUT-OUT
MAX. PANEL THICKNESS: 0.200" [5.08]

NUT



PIN 4

NOTE:

MATERIAL

HOUSING: PBT UL94V-0, BLACK
CONTACT: BRASS
NUT: BRASS
SHELL: BRASS
D-RING: NBR, BLACK

FINISH

CONTACT: GOLD PLATED
OVER 50µ" NICKEL
NICKEL PLATED
NICKEL PLATED

ELECTRICAL

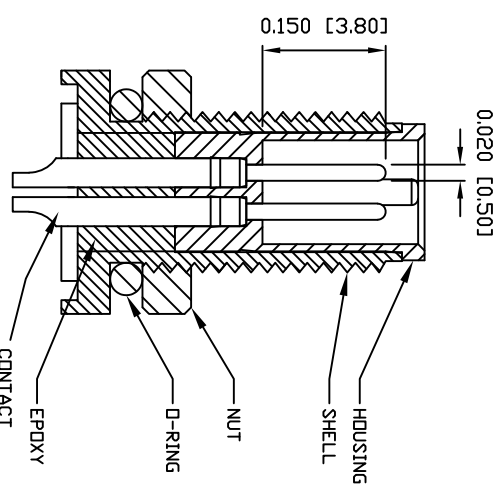
RATED CURRENT: 1A
RATED VOLTAGE: 60V
INSULATION RESISTANCE: 100 MΩhms MIN.
CONTACT RESISTANCE: 10 mΩhms MAX.
WATER PROOF: IP67

ENVIRONMENT

OPERATION TEMPERATURE: -40°C TO +85°C
WIRE GAUGE: 28 AWG MAX RECOMMENDED

851-004-103R00Y

1 = GOLD FLASH
4 = 10µ" GOLD



UNITS = inch [mm]

DO NOT SCALE FROM DRAWING

PLIANT

IFICATIONS ARE
ND SHALL NOT
USED AS THE
E OR SALE OF
EN PERMISSION.

DRAWN: M. SIGMON

DATE: 03-04-16

NorComp

SCALE: NTS

SHEET 1 OF 1

REV 6

DWG NO.

851-004-103R00Y

Looking for pricing, stock, or lifecycle information?

Click below to explore more details on WIN SOURCE:

 [View 851-004-103R001 on WIN SOURCE](#)

 [NorComp Inc. Information](#)

Optimize Your Supply Chain with WIN SOURCE Solutions

-  Global Sourcing Solution
-  Obsolete Management
-  Cost Control Management
-  Shortage Management
-  Alternative Solution
-  Excess Inventory Management