



**THE DATASHEET OF
M21212G-14**



Next Generation High Performance Analog Broadcast Video Solutions

M21212 HD/SD Broadcast Video Co-axial Cable Driver

The M21212 is a next generation high performance analog HD/SD video co-axial cable driver solution that is pin-to-pin, electrically, and functionally compatible with existing legacy single channel cable drivers.

Superior next generation cable driving and output return loss (ORL) performance of the M21212 is complemented with a complete serial routing chipset that includes equalization (M21214) and reclocking (M21215) devices. These new devices further complement Mindspeed's unique HD/SD quad channel reclocking and asynchronous switching devices:

- M21250, M21251, M21252 quad channel multi-rate video reclockers
- M21260 4x4 1.6 Gbps video crosspoint switch with quad multi rate reclockers
- M21261 1:4 1.6 Gbps video fanout with HD/SD multi-rate reclocking
- M21262 4:1 1.6 Gbps video selector with HD/SD multi-rate reclocker

In addition to being drop in compatible with the GS1528 multi-rate SDI dual slew-rate cable driver, the M21212 provides enhanced performance such as improved differential input sensitivity (100mVpp to 2000mVpp) and a typical device output return loss (ORL) of 20dB for easier board development and increased margin or headroom to the SMPTE specs.

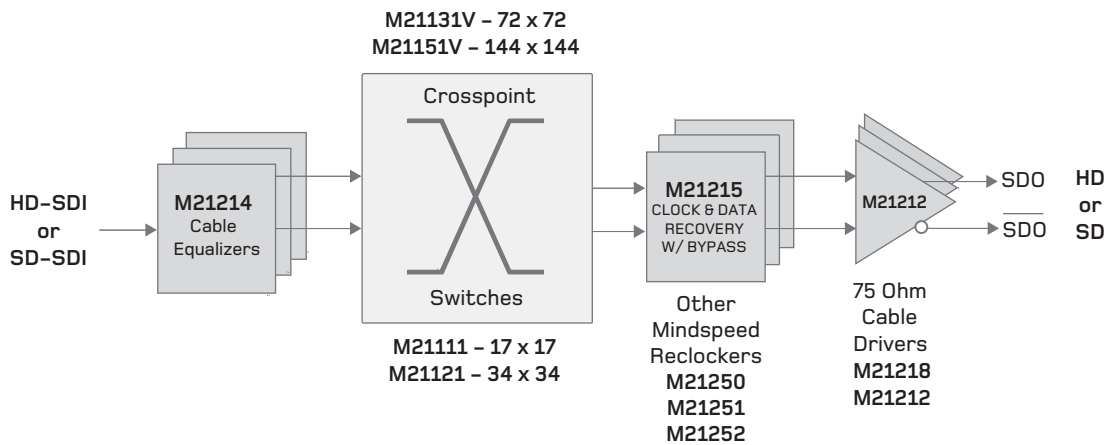
KEY FEATURES

- › SMPTE 292M, SMPTE 259M, SMPTE 344M compliant
- › Supports data rate operation of 143, 177, 270, 360, 540, 1483.5/1485 Mbps and DVB-ASI at 270 Mbps
- › Fully differential signal paths
- › LVPECL compatible input
- › HD/SD Slew rate control input
- › Pin-to-pin, electrically, and functionally compatible with M21218, GS1528/1528A
- › 2.5V or 3.3V Operation
- › Reduced power dissipation
 - 90mW typical @ 2.5V
 - 120mW typical @ 3.3V
- › 100mVp-p differential input voltage sensitivity
- › Increased operating temperature range: -10°C to +85°C
- › 500-1200mVpp output amplitude range

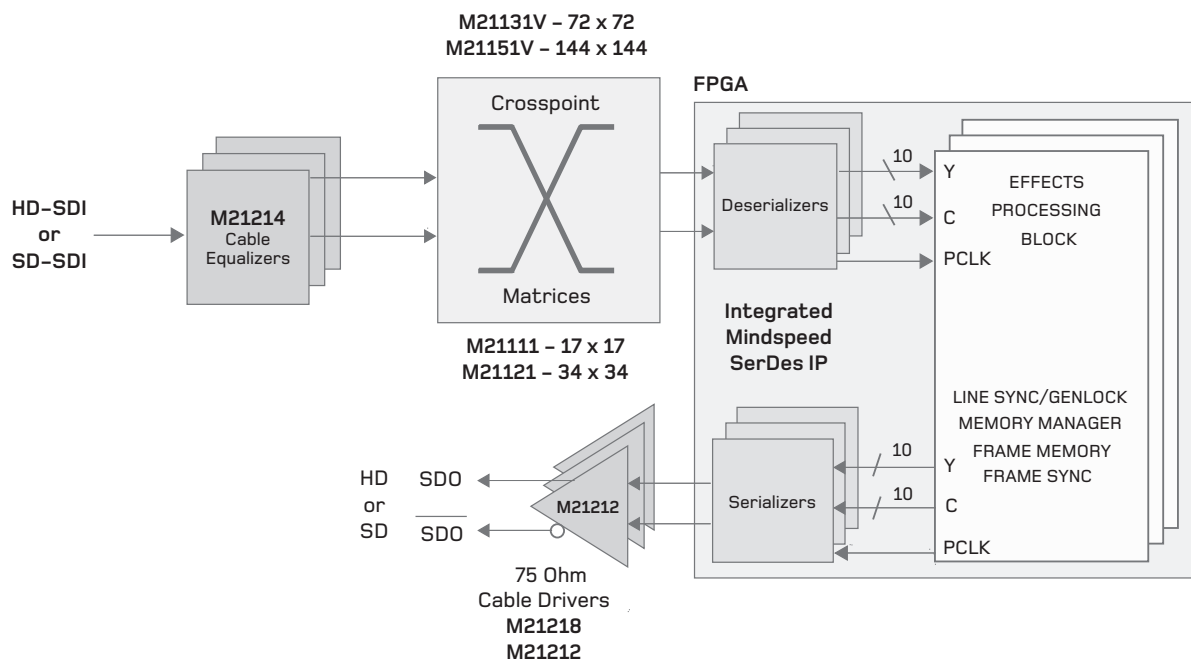
The M21212 is also pin-to-pin compatible with Mindspeed's M21218 cable driver but has a reduced maximum output swing of 1200 mVp-p single ended vs. 1800 mVp-p for the M21218.

Mindspeed's innovative circuit architecture enables next generation systems with flexible power supply operation of 2.5V or 3.3V and a wider operating temperature range (-10° to + 85°C). Power dissipation is significantly reduced @ 3.3V (25%-42% typ/max) with further reductions possible @ 2.5V supply (40%-50% typ/max).





HD/SD Routing Switcher Application



HD/SD Production & Master Control Switcher Application

Product Features

Applications

- Small to large serial routing switchers
- Master control switchers
- Productions switchers
- Distribution amplifiers
- SD-SDI processing gear

Ordering Information

- M21212-14: HD/SD video cable driver
(143 Mbps – 1600Mbps)
- M21212G-14: HD/SD video cable driver
(143 Mbps – 1600Mbps)
[RoHS compliant package]

Package: 8 pin SOIC
8 pin SOIC [RoHS compliant package]

www.mindspeed.com/salesoffices
General Information: (949) 579-3000
Headquarters – Newport Beach
4000 MacArthur Blvd., East Tower
Newport Beach, CA 92660-3007
21212-BRF-001-D.PDF

© 2005 Mindspeed Technologies™. All rights reserved. Mindspeed and the Mindspeed logo are trademarks of Mindspeed Technologies. All other trademarks are the property of their respective owners. Although Mindspeed Technologies strives for accuracy in all its publications, this material may contain errors or omissions and is subject to change without notice. **This material is provided as is and without any express or implied warranties, including merchantability, fitness for a particular purpose and non-infringement.** Mindspeed Technologies shall not be liable for any special, indirect, incidental or consequential damages as a result of its use.

MINDSPEED
BUILD IT FIRST™

Looking for pricing, stock, or lifecycle information?

Click below to explore more details on WIN SOURCE:

- ⊖ [View M21212G-14 on WIN SOURCE](#)
- ⊖ [M/A-Com Technology Solutions Information](#)

Optimize Your Supply Chain with WIN SOURCE Solutions

- ✓ Global Sourcing Solution
- ✓ Obsolete Management
- ✓ Cost Control Management
- ✓ Shortage Management
- ✓ Alternative Solution
- ✓ Excess Inventory Management