



**THE DATASHEET OF  
LT1817CGN#PBF**



# Single/Dual/Quad 220MHz, 1500V/ $\mu$ s Operational Amplifiers with Programmable Supply Current

## FEATURES

- 220MHz Gain-Bandwidth Product
- 1500V/ $\mu$ s Slew Rate
- 6.5mA Supply Current per Amplifier
- Programmable Current Option
- 6nV/ $\sqrt{\text{Hz}}$  Input Noise Voltage
- Unity-Gain Stable
- 1.5mV Maximum Input Offset Voltage
- 8 $\mu$ A Maximum Input Bias Current
- 800nA Maximum Input Offset Current
- 50mA Minimum Output Current,  $V_{OUT} = \pm 3V$
- $\pm 3.5V$  Minimum Input CMR,  $V_S = \pm 5V$
- Specified at  $\pm 5V$ , Single 5V Supplies
- Operating Temperature Range:  $-40^\circ\text{C}$  to  $85^\circ\text{C}$
- Space Saving MSOP and SSOP Packages
- Low Profile (1mm) SOT-23 (ThinSOT™) and Leadless DFN Packages

## APPLICATIONS

- Wideband Amplifiers
- Buffers
- Active Filters
- Video and RF Amplification
- Communication Receivers
- Cable Drivers
- Data Acquisition Systems

## DESCRIPTION

The LT®1815/LT1816/LT1817 are low power, high speed, very high slew rate operational amplifiers with excellent DC performance. The LT1815/LT1816/LT1817 feature higher bandwidth and slew rate, much lower input offset voltage and lower noise and distortion than other devices with comparable supply current. A programmable current option (LT1815 and LT1816A) allows power savings and flexibility by operating at reduced supply current and speed. The circuit topology is a voltage feedback amplifier with the slewing characteristics of a current feedback amplifier.

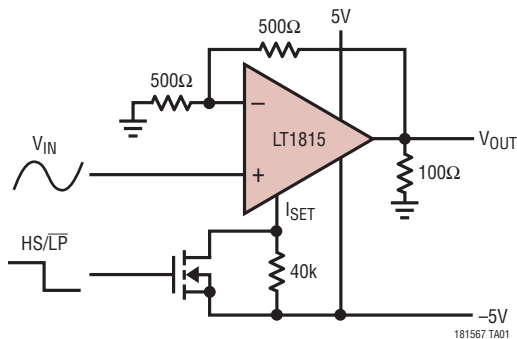
The output drives a 100 $\Omega$  load to  $\pm 3.8V$  with  $\pm 5V$  supplies. On a single 5V supply, the output swings from 1V to 4V with a 100 $\Omega$  load connected to 2.5V. Harmonic distortion is  $-70\text{dB}$  for a 5MHz, 2V<sub>P-P</sub> output driving a 100 $\Omega$  load in a gain of  $-1$ .

The LT1815/LT1816/LT1817 are manufactured on Linear Technology's advanced low voltage complementary bipolar process and are available in a variety of TSOT-23, SO, MSOP, SSOP and leadless DFN packages.

LT, LT, LTC, LTM, Linear Technology and the Linear logo are registered trademarks of Linear Technology Corporation. ThinSOT is a trademark of Linear Technology Corporation. All other trademarks are the property of their respective owners.

## TYPICAL APPLICATION

**Programmable Current Amplifier Switches  
from Low Power Mode to Full Speed Mode**



**Distortion vs Frequency**



181567fb

# LT1815/LT1816/LT1817

## ABSOLUTE MAXIMUM RATINGS (Note 1)

|  |   |  |  |
|--|---|--|--|
| Total Supply Voltage ( $V^+$ to $V^-$ ) .....                | 12.6V   | Specified Temperature Range (Note 8) ....  | $-40^{\circ}\text{C}$ to $85^{\circ}\text{C}$  |
| Differential Input Voltage<br>(Transient Only, Note 2) ..... | $\pm 6\text{V}$                               | Maximum Junction Temperature .....         | $150^{\circ}\text{C}$                          |
| Input Voltage .....  | $\pm V_S$                                     | (DD Package) .....                         | $125^{\circ}\text{C}$                          |
| Output Short-Circuit Duration (Note 3) .....                 | Indefinite                                    | Storage Temperature Range .....            | $-65^{\circ}\text{C}$ to $150^{\circ}\text{C}$ |
| Operating Temperature Range .....                            | $-40^{\circ}\text{C}$ to $85^{\circ}\text{C}$ | (DD Package) .....                         | $-65^{\circ}\text{C}$ to $125^{\circ}\text{C}$ |
|  |   | Lead Temperature (Soldering, 10 sec) ..... | $300^{\circ}\text{C}$                          |

## PIN CONFIGURATION

|   |  |  |
|---|--|--|
| <p>LT1815</p> <p>TOP VIEW</p> <p>OUT 1 1, 2 <math>V^-</math>, 3 +IN, 4 -IN, 5 <math>V^+</math></p> <p>S5 PACKAGE<br/>5-LEAD PLASTIC TSOT-23<br/><math>T_{JMAX} = 150^{\circ}\text{C}</math>, <math>\theta_{JA} = 250^{\circ}\text{C/W}</math> (NOTE 9)</p>  | <p>LT1815</p> <p>TOP VIEW</p> <p>OUT 1 1, 2 <math>V^-</math>, 3 +IN, 4 -IN, 5 <math>I_{SET}</math>, 6 <math>V^+</math></p> <p>S6 PACKAGE<br/>6-LEAD PLASTIC TSOT-23<br/><math>T_{JMAX} = 150^{\circ}\text{C}</math>, <math>\theta_{JA} = 230^{\circ}\text{C/W}</math> (NOTE 9)</p>   | <p>LT1815</p> <p>TOP VIEW</p> <p>NC 1, 2 -IN, 3 +IN, 4 <math>V^-</math>, 5 NC, 6 OUT, 7 <math>V^+</math>, 8 NC</p> <p>S8 PACKAGE<br/>8-LEAD PLASTIC SO<br/><math>T_{JMAX} = 150^{\circ}\text{C}</math>, <math>\theta_{JA} = 150^{\circ}\text{C/W}</math> (NOTE 9)</p>  |
| <p>LT1816</p> <p>TOP VIEW</p> <p>OUT A 1, 2 -IN A, 3 +IN A, 4 <math>V^-</math>, 5 +IN B, 6 -IN B, 7 OUT B, 8 <math>V^+</math>, 9</p> <p>DD PACKAGE<br/>8-LEAD (3mm x 3mm) PLASTIC DFN<br/><math>T_{JMAX} = 125^{\circ}\text{C}</math>, <math>\theta_{JA} = 160^{\circ}\text{C/W}</math> (NOTE 9)<br/>UNDERSIDE METAL INTERNALLY CONNECTED TO <math>V^-</math></p> | <p>LT1816</p> <p>TOP VIEW</p> <p>OUT A 1, 2 -IN A, 3 +IN A, 4 <math>V^-</math>, 5 +IN B, 6 -IN B, 7 OUT B, 8 <math>V^+</math></p> <p>MS8 PACKAGE<br/>8-LEAD PLASTIC MSOP<br/><math>T_{JMAX} = 150^{\circ}\text{C}</math>, <math>\theta_{JA} = 250^{\circ}\text{C/W}</math> (NOTE 9)</p>  | <p>LT1816</p> <p>TOP VIEW</p> <p>OUT A 1, 2 -IN A, 3 +IN A, 4 <math>V^-</math>, 5 <math>V^-</math>, 6 <math>I_{SET}</math>, 7 +IN B, 8 -IN B, 9 OUT B, 10 <math>V^+</math></p> <p>MS PACKAGE<br/>10-LEAD PLASTIC MSOP<br/><math>T_{JMAX} = 150^{\circ}\text{C}</math>, <math>\theta_{JA} = 250^{\circ}\text{C/W}</math> (NOTE 9)</p>   |
| <p>LT1816</p> <p>TOP VIEW</p> <p>OUT A 1, 2 -IN A, 3 +IN A, 4 <math>V^-</math>, 5 +IN B, 6 -IN B, 7 OUT B, 8 <math>V^+</math></p> <p>S8 PACKAGE<br/>8-LEAD PLASTIC SO<br/><math>T_{JMAX} = 150^{\circ}\text{C}</math>, <math>\theta_{JA} = 150^{\circ}\text{C/W}</math> (NOTE 9)</p>  | <p>LT1817</p> <p>TOP VIEW</p> <p>OUT A 1, 2 -IN A, 3 +IN A, 4 <math>V^+</math>, 5 +IN B, 6 -IN B, 7 OUT B, 8 NC, 9 NC, 10 OUT C, 11 -IN C, 12 +IN C, 13 <math>V^-</math>, 14 +IN D, 15 -IN D, 16 OUT D</p> <p>GN PACKAGE<br/>16-LEAD PLASTIC SSOP NARROW<br/><math>T_{JMAX} = 150^{\circ}\text{C}</math>, <math>\theta_{JA} = 135^{\circ}\text{C/W}</math></p> | <p>LT1817</p> <p>TOP VIEW</p> <p>OUT A 1, 2 -IN A, 3 +IN A, 4 <math>V^+</math>, 5 +IN B, 6 -IN B, 7 OUT B, 8 -IN C, 9 OUT C, 10 +IN C, 11 <math>V^-</math>, 12 +IN D, 13 -IN D, 14 OUT D</p> <p>S PACKAGE<br/>14-LEAD PLASTIC SO<br/><math>T_{JMAX} = 150^{\circ}\text{C}</math>, <math>\theta_{JA} = 100^{\circ}\text{C/W}</math></p> |

## ORDER INFORMATION

| LEAD FREE FINISH | TAPE AND REEL    | PART MARKING* | PACKAGE DESCRIPTION            | SPECIFIED TEMPERATURE RANGE |
|------------------|------------------|---------------|--------------------------------|-----------------------------|
| LT1815CS5#PBF    | LT1815CS5#TRPBF  | LTUP          | 5-Lead Plastic TSOT-23         | 0°C to 70°C                 |
| LT1815IS5#PBF    | LT1815IS5#TRPBF  | LTVC          | 5-Lead Plastic TSOT-23         | -40°C to 85°C               |
| LT1815CS6#PBF    | LT1815CS6#TRPBF  | LTUL          | 6-Lead Plastic TSOT-23         | 0°C to 70°C                 |
| LT1815IS6#PBF    | LT1815IS6#TRPBF  | LTVD          | 6-Lead Plastic TSOT-23         | -40°C to 85°C               |
| LT1815CS8#PBF    | LT1815CS8#TRPBF  | 1815          | 8-Lead Plastic SO              | 0°C to 70°C                 |
| LT1815IS8#PBF    | LT1815IS8#TRPBF  | 1815I         | 8-Lead Plastic SO              | -40°C to 85°C               |
| LT1816CDD#PBF    | LT1816CDD#TRPBF  | LAAR          | 8-Lead (3mm × 3mm) Plastic DFN | 0°C to 70°C                 |
| LT1816IDD#PBF    | LT1816IDD#TRPBF  | LAAR          | 8-Lead (3mm × 3mm) Plastic DFN | -40°C to 150°C              |
| LT1816CMS8#PBF   | LT1816CMS8#TRPBF | LTWA          | 8-Lead Plastic MSOP            | 0°C to 70°C                 |
| LT1816IMS8#PBF   | LT1816IMS8#TRPBF | LTNQ          | 8-Lead Plastic MSOP            | -40°C to 85°C               |
| LT1816ACMS#PBF   | LT1816ACMS#TRPBF | LYA           | 10-Lead Plastic MSOP           | 0°C to 70°C                 |
| LT1816AIMS#PBF   | LT1816AIMS#TRPBF | LTXX          | 10-Lead Plastic MSOP           | -40°C to 85°C               |
| LT1816CS8#PBF    | LT1816CS8#TRPBF  | 1816          | 8-Lead Plastic SO              | 0°C to 70°C                 |
| LT1816IS8#PBF    | LT1816IS8#TRPBF  | 1816I         | 8-Lead Plastic SO              | -40°C to 85°C               |
| LT1817CGN#PBF    | LT1817CGN#TRPBF  | 1817          | 16-Lead Plastic SSOP           | 0°C to 70°C                 |
| LT1817IGN#PBF    | LT1817IGN#TRPBF  | 1817I         | 16-Lead Plastic SSOP           | -40°C to 85°C               |
| LT1817CS#PBF     | LT1817CS#TRPBF   | LT1817CS      | 14-Lead Plastic SO             | 0°C to 70°C                 |
| LT1817IS#PBF     | LT1817IS#TRPBF   | LT1817IS      | 14-Lead Plastic SO             | -40°C to 85°C               |

Consult LTC Marketing for parts specified with wider operating temperature ranges. \*The temperature grade is identified by a label on the shipping container. Consult LTC Marketing for information on non-standard lead based finish parts.

For more information on lead free part marking, go to: <http://www.linear.com/leadfree/>

For more information on tape and reel specifications, go to: <http://www.linear.com/tapeandreeel/>

## ELECTRICAL CHARACTERISTICS

The ● denotes the specifications which apply over the full operating temperature range, otherwise specifications are at  $T_A = 25^\circ\text{C}$  (Note 8).  $V_S = \pm 5\text{V}$ ,  $V_{CM} = 0\text{V}$ , unless otherwise noted. For the programmable current option (LT1815S6 or LT1816A), the  $I_{SET}$  pin must be connected to  $V^-$  through  $75\Omega$  or less, unless otherwise noted.

| SYMBOL                           | PARAMETER                                       | CONDITIONS  | MIN | TYP | MAX      | UNITS                        |
|----------------------------------|---|---|-----|-----|----------|------------------------------|
| $V_{OS}$                         | Input Offset Voltage                            | (Note 4)<br>$T_A = 0^\circ\text{C to } 70^\circ\text{C}$<br>$T_A = -40^\circ\text{C to } 85^\circ\text{C}$  | ●   | 0.2 | 1.5      | mV                           |
|                                  |   |   | ●   |     | 2.0      | mV                           |
| $V_{OS}$                         | Input Offset Voltage (Low Power Mode) (Note 10) | LT1815S6/LT1816A, $40k\Omega$ Between $I_{SET}$ and $V^-$<br>$T_A = 0^\circ\text{C to } 70^\circ\text{C}$<br>$T_A = -40^\circ\text{C to } 85^\circ\text{C}$ | ●   | 2   | 7        | mV                           |
|                                  |   |   | ●   |     | 9        | mV                           |
| $\frac{\Delta V_{OS}}{\Delta T}$ | Input Offset Voltage Drift                      | $T_A = 0^\circ\text{C to } 70^\circ\text{C}$ (Note 7)   | ●   | 10  | 15       | $\mu\text{V}/^\circ\text{C}$ |
|                                  |   | $T_A = -40^\circ\text{C to } 85^\circ\text{C}$ (Note 7)   | ●   | 10  | 30       | $\mu\text{V}/^\circ\text{C}$ |
| $I_{OS}$                         | Input Offset Current                            | $T_A = 0^\circ\text{C to } 70^\circ\text{C}$  | ●   | 60  | 800      | nA                           |
|                                  |   | $T_A = -40^\circ\text{C to } 85^\circ\text{C}$  | ●   |     | 1000     | nA                           |
| $I_B$                            | Input Bias Current                              | $T_A = 0^\circ\text{C to } 70^\circ\text{C}$  | ●   | -2  | $\pm 8$  | $\mu\text{A}$                |
|                                  |   | $T_A = -40^\circ\text{C to } 85^\circ\text{C}$  | ●   |     | $\pm 10$ | $\mu\text{A}$                |
|                                  |   |   |     |     | $\pm 12$ | $\mu\text{A}$                |

# LT1815/LT1816/LT1817

**ELECTRICAL CHARACTERISTICS** The ● denotes the specifications which apply over the full operating temperature range, otherwise specifications are at  $T_A = 25^\circ\text{C}$  (Note 8).  $V_S = \pm 5\text{V}$ ,  $V_{CM} = 0\text{V}$ , unless otherwise noted. For the programmable current option (LT1815S6 or LT1816A), the  $I_{SET}$  pin must be connected to  $V^-$  through  $75\Omega$  or less, unless otherwise noted.

| SYMBOL    | PARAMETER   | CONDITIONS   | MIN  | TYP        | MAX                | UNITS  |
|-----------|---|--|--|------------|--------------------|--|
| $e_n$     | Input Noise Voltage Density                       | $f = 10\text{kHz}$   |  | 6          |                    | $\text{nV}/\sqrt{\text{Hz}}$   |
| $i_n$     | Input Noise Current Density                       | $f = 10\text{kHz}$   |  | 1.3        |                    | $\text{pA}/\sqrt{\text{Hz}}$   |
| $R_{IN}$  | Input Resistance                                  | $V_{CM} = \pm 3.5\text{V}$<br>Differential   | 1.5  | 5<br>750   |                    | $\text{M}\Omega$<br>$\text{k}\Omega$                                       |
| $C_{IN}$  | Input Capacitance                                 |  |  | 2          |                    | $\text{pF}$  |
| $V_{CM}$  | Input Voltage Range                               | Guaranteed by CMRR<br>$T_A = -40^\circ\text{C}$ to $85^\circ\text{C}$  | ● $\pm 3.5$<br>● $\pm 3.5$                   | $\pm 4.2$  |                    | V<br>V   |
| CMRR      | Common Mode Rejection Ratio                       | $V_{CM} = \pm 3.5\text{V}$<br>$T_A = 0^\circ\text{C}$ to $70^\circ\text{C}$<br>$T_A = -40^\circ\text{C}$ to $85^\circ\text{C}$   | ● 75<br>● 73<br>● 72                         | 85         |                    | dB<br>dB<br>dB   |
|           | Minimum Supply Voltage                            | Guaranteed by PSRR<br>$T_A = -40^\circ\text{C}$ to $85^\circ\text{C}$  | ●  | $\pm 1.25$ | $\pm 2$<br>$\pm 2$ | V<br>V   |
| PSRR      | Power Supply Rejection Ratio                      | $V_S = \pm 2\text{V}$ to $\pm 5.5\text{V}$<br>$T_A = 0^\circ\text{C}$ to $70^\circ\text{C}$<br>$T_A = -40^\circ\text{C}$ to $85^\circ\text{C}$   | ● 78<br>● 76<br>● 75                         | 97         |                    | dB<br>dB<br>dB   |
|           | Channel Separation                                | $V_{OUT} = \pm 3\text{V}$ , $R_L = 100\Omega$ , LT1816/LT1817<br>$T_A = 0^\circ\text{C}$ to $70^\circ\text{C}$<br>$T_A = -40^\circ\text{C}$ to $85^\circ\text{C}$  | ● 82<br>● 81<br>● 80                         | 100        |                    | dB<br>dB<br>dB   |
| $A_{VOL}$ | Large-Signal Voltage Gain                         | $V_{OUT} = \pm 3\text{V}$ , $R_L = 500\Omega$<br>$T_A = 0^\circ\text{C}$ to $70^\circ\text{C}$<br>$T_A = -40^\circ\text{C}$ to $85^\circ\text{C}$  | ● 1.5<br>● 1.0<br>● 0.8                      | 3          |                    | $\text{V}/\text{mV}$<br>$\text{V}/\text{mV}$<br>$\text{V}/\text{mV}$       |
|           |   | $V_{OUT} = \pm 3\text{V}$ , $R_L = 100\Omega$<br>$T_A = 0^\circ\text{C}$ to $70^\circ\text{C}$<br>$T_A = -40^\circ\text{C}$ to $85^\circ\text{C}$  | ● 0.7<br>● 0.5<br>● 0.4                      | 2.5        |                    | $\text{V}/\text{mV}$<br>$\text{V}/\text{mV}$<br>$\text{V}/\text{mV}$       |
| $V_{OUT}$ | Maximum Output Swing                              | $R_L = 500\Omega$ , 30mV Overdrive<br>$T_A = 0^\circ\text{C}$ to $70^\circ\text{C}$<br>$T_A = -40^\circ\text{C}$ to $85^\circ\text{C}$   | ● $\pm 3.8$<br>● $\pm 3.7$<br>● $\pm 3.6$    | $\pm 4.1$  |                    | V<br>V<br>V  |
|           |   | $R_L = 100\Omega$ , 30mV Overdrive<br>$T_A = 0^\circ\text{C}$ to $70^\circ\text{C}$<br>$T_A = -40^\circ\text{C}$ to $85^\circ\text{C}$   | ● $\pm 3.50$<br>● $\pm 3.25$<br>● $\pm 3.15$ | $\pm 3.8$  |                    | V<br>V<br>V  |
| $I_{OUT}$ | Maximum Output Current                            | $V_{OUT} = \pm 3\text{V}$ , 30mV Overdrive<br>$T_A = 0^\circ\text{C}$ to $70^\circ\text{C}$<br>$T_A = -40^\circ\text{C}$ to $85^\circ\text{C}$   | ● $\pm 50$<br>● $\pm 45$<br>● $\pm 40$       | $\pm 80$   |                    | $\text{mA}$<br>$\text{mA}$<br>$\text{mA}$                                  |
|           | Maximum Output Current (Low Power Mode) (Note 10) | LT1815S6/LT1816A; $40\text{k}\Omega$ Between $I_{SET}$ and $V^-$ ;<br>$V_{OUT} = \pm 3\text{V}$ , 30mV Overdrive<br>$T_A = 0^\circ\text{C}$ to $70^\circ\text{C}$<br>$T_A = -40^\circ\text{C}$ to $85^\circ\text{C}$ | ● $\pm 50$<br>● $\pm 40$<br>● $\pm 30$       | $\pm 75$   |                    | $\text{mA}$<br>$\text{mA}$<br>$\text{mA}$                                  |
| $I_{SC}$  | Output Short-Circuit Current                      | $V_{OUT} = 0\text{V}$ , 1V Overdrive (Note 3)<br>$T_A = 0^\circ\text{C}$ to $70^\circ\text{C}$<br>$T_A = -40^\circ\text{C}$ to $85^\circ\text{C}$  | ● $\pm 100$<br>● $\pm 90$<br>● $\pm 70$      | $\pm 200$  |                    | $\text{mA}$<br>$\text{mA}$<br>$\text{mA}$                                  |
| SR        | Slew Rate   | $A_V = -1$ (Note 5)<br>$T_A = 0^\circ\text{C}$ to $70^\circ\text{C}$<br>$T_A = -40^\circ\text{C}$ to $85^\circ\text{C}$  | ● 900<br>● 750<br>● 600                      | 1500       |                    | $\text{V}/\mu\text{s}$<br>$\text{V}/\mu\text{s}$<br>$\text{V}/\mu\text{s}$ |
| FPBW      | Full-Power Bandwidth                              | $6V_{P-P}$ (Note 6)  |  | 80         |                    | MHz  |

**ELECTRICAL CHARACTERISTICS** The ● denotes the specifications which apply over the full operating temperature range, otherwise specifications are at  $T_A = 25^\circ\text{C}$  (Note 8).  $V_S = \pm 5\text{V}$ ,  $V_{CM} = 0\text{V}$ , unless otherwise noted. For the programmable current option (LT1815S6 or LT1816A), the  $I_{SET}$  pin must be connected to  $V^-$  through  $75\Omega$  or less, unless otherwise noted.

| SYMBOL        | PARAMETER   | CONDITIONS  | MIN         | TYP                  | MAX  | UNITS   |
|---------------|---|---|-------------|----------------------|------|---|
| GBW           | Gain-Bandwidth Product                            | $f = 200\text{kHz}$ , $R_L = 500\Omega$ , LT1815<br>$T_A = 0^\circ\text{C}$ to $70^\circ\text{C}$<br>$T_A = -40^\circ\text{C}$ to $85^\circ\text{C}$  | ●<br>●      | 150<br>140<br>130    | 220  | MHz<br>MHz<br>MHz                               |
|               |   | $f = 200\text{kHz}$ , $R_L = 500\Omega$ , LT1816/LT1817<br>$T_A = 0^\circ\text{C}$ to $70^\circ\text{C}$<br>$T_A = -40^\circ\text{C}$ to $85^\circ\text{C}$   | ●<br>●      | 140<br>130<br>120    | 220  | MHz<br>MHz<br>MHz                               |
|               | Gain-Bandwidth Product (Low Power Mode) (Note 10) | LT1815S6/LT1816A; $40\text{k}\Omega$ Between $I_{SET}$ and $V^-$ ;<br>$f = 200\text{kHz}$ , $R_L = 500\Omega$<br>$T_A = 0^\circ\text{C}$ to $70^\circ\text{C}$<br>$T_A = -40^\circ\text{C}$ to $85^\circ\text{C}$ | ●<br>●      | 35<br>30<br>25       | 55   | MHz<br>MHz<br>MHz                               |
| -3dB BW       | -3dB Bandwidth                                    | $A_V = 1$ , $R_L = 500\Omega$   |             | 350                  |      | MHz   |
| $t_r$ , $t_f$ | Rise Time, Fall Time                              | $A_V = 1$ , 10% to 90%, 0.1V, $R_L = 100\Omega$   |             | 1                    |      | ns  |
| $t_{PD}$      | Propagation Delay                                 | $A_V = 1$ , 50% to 50%, 0.1V, $R_L = 100\Omega$   |             | 1.4                  |      | ns  |
| OS            | Overshoot   | $A_V = 1$ , 0.1V; $R_L = 100\Omega$   |             | 25                   |      | %   |
| $t_S$         | Settling Time                                     | $A_V = -1$ , 0.1%, 5V   |             | 15                   |      | ns  |
| THD           | Total Harmonic Distortion                         | $A_V = 2$ , $f = 5\text{MHz}$ , $V_{OUT} = 2V_{P-P}$ , $R_L = 500\Omega$  |             | -70                  |      | dB  |
| dG            | Differential Gain                                 | $A_V = 2$ , $V_{OUT} = 2V_{P-P}$ , $R_L = 150\Omega$  |             | 0.08                 |      | %   |
| dP            | Differential Phase                                | $A_V = 2$ , $V_{OUT} = 2V_{P-P}$ , $R_L = 150\Omega$  |             | 0.04                 |      | Deg   |
| $R_{OUT}$     | Output Resistance                                 | $A_V = 1$ , $f = 1\text{MHz}$   |             | 0.20                 |      | $\Omega$  |
| $I_S$         | Supply Current                                    | LT1815<br>$T_A = 0^\circ\text{C}$ to $70^\circ\text{C}$<br>$T_A = -40^\circ\text{C}$ to $85^\circ\text{C}$  | ●<br>●      | 6.5<br>9<br>10       | 7    | mA<br>mA<br>mA                                  |
|               |   | LT1816/LT1817, per Amplifier<br>$T_A = 0^\circ\text{C}$ to $70^\circ\text{C}$<br>$T_A = -40^\circ\text{C}$ to $85^\circ\text{C}$  | ●<br>●      | 6.5<br>10.5<br>11.5  | 7.8  | mA<br>mA<br>mA                                  |
|               | Supply Current (Low Power Mode) (Note 10)         | LT1815S6/LT1816A, $40\text{k}\Omega$ Between $I_{SET}$ and $V^-$ , per Amplifier<br>$T_A = 0^\circ\text{C}$ to $70^\circ\text{C}$<br>$T_A = -40^\circ\text{C}$ to $85^\circ\text{C}$                              | ●<br>●      | 1<br>1.8<br>2.0      | 1.5  | mA<br>mA<br>mA                                  |
| $I_{SET}$     | $I_{SET}$ Pin Current (Note 10)                   | LT1815S6/LT1816A<br>$T_A = 0^\circ\text{C}$ to $70^\circ\text{C}$<br>$T_A = -40^\circ\text{C}$ to $85^\circ\text{C}$  | ●<br>●<br>● | -150<br>-175<br>-200 | -100 | $\mu\text{A}$<br>$\mu\text{A}$<br>$\mu\text{A}$ |

# LT1815/LT1816/LT1817

**ELECTRICAL CHARACTERISTICS** The ● denotes the specifications which apply over the full operating temperature range, otherwise specifications are at  $T_A = 25^\circ\text{C}$  (Note 8).  $V_S = 5\text{V}$ ,  $0\text{V}$ ;  $V_{CM} = 2.5\text{V}$ ,  $R_L$  to  $2.5\text{V}$ , unless otherwise noted. For the programmable current option (LT1815S6 or LT1816A), the  $I_{SET}$  pin must be connected to  $V^-$  through  $75\Omega$  or less, unless otherwise noted.

| SYMBOL                           | PARAMETER                                       | CONDITIONS  | MIN   | TYP      | MAX           | UNITS                        |
|----------------------------------|---|---|---|----------|---------------|------------------------------|
| $V_{OS}$                         | Input Offset Voltage                            | (Note 4)<br>$T_A = 0^\circ\text{C to } 70^\circ\text{C}$<br>$T_A = -40^\circ\text{C to } 85^\circ\text{C}$  | ●   | 0.4      | 2.0           | mV                           |
|                                  |   | ●   |   | 2.5      | mV            |                              |
|                                  |   | ●   |   | 3.5      | mV            |                              |
|                                  | Input Offset Voltage (Low Power Mode) (Note 10) | LT1815S6/LT1816A, $40\text{k}\Omega$ Between $I_{SET}$ and $V^-$<br>$T_A = 0^\circ\text{C to } 70^\circ\text{C}$<br>$T_A = -40^\circ\text{C to } 85^\circ\text{C}$            | ●   | 2        | 7             | mV                           |
|                                  |   | ●   |   | 9        | mV            |                              |
|                                  |   | ●   |   | 10       | mV            |                              |
| $\frac{\Delta V_{OS}}{\Delta T}$ | Input Offset Voltage Drift                      | $T_A = 0^\circ\text{C to } 70^\circ\text{C}$ (Note 7)<br>$T_A = -40^\circ\text{C to } 85^\circ\text{C}$ (Note 7)  | ●   | 10       | 15            | $\mu\text{V}/^\circ\text{C}$ |
|                                  |   | ●   |   | 10       | 30            | $\mu\text{V}/^\circ\text{C}$ |
| $I_{OS}$                         | Input Offset Current                            | $T_A = 0^\circ\text{C to } 70^\circ\text{C}$<br>$T_A = -40^\circ\text{C to } 85^\circ\text{C}$  | ●   | 60       | 800           | nA                           |
|                                  |   |   | ●   |          | 1000          | nA                           |
|                                  |   |   | ●   |          | 1200          | nA                           |
| $I_B$                            | Input Bias Current                              | $T_A = 0^\circ\text{C to } 70^\circ\text{C}$<br>$T_A = -40^\circ\text{C to } 85^\circ\text{C}$  | ●   | -2.4     | $\pm 8$       | $\mu\text{A}$                |
|                                  |   |   | ●   |          | $\pm 10$      | $\mu\text{A}$                |
|                                  |   |   |   | $\pm 12$ | $\mu\text{A}$ |                              |
| $e_n$                            | Input Noise Voltage Density                     | $f = 10\text{kHz}$  |   | 6        |               | $\text{nV}/\sqrt{\text{Hz}}$ |
| $i_n$                            | Input Noise Current Density                     | $f = 10\text{kHz}$  |   | 1.3      |               | $\text{pA}/\sqrt{\text{Hz}}$ |
| $R_{IN}$                         | Input Resistance                                | $V_{CM} = 1.5\text{V to } 3.5\text{V}$<br>Differential  |   | 1.5      | 5             | $\text{M}\Omega$             |
|                                  |   |   |   |          | 750           | $\text{k}\Omega$             |
| $C_{IN}$                         | Input Capacitance                               |   |   | 2        |               | pF                           |
| $V_{CM}$                         | Input Voltage Range (High)                      | Guaranteed by CMRR<br>$T_A = -40^\circ\text{C to } 85^\circ\text{C}$  | ●   | 3.5      | 4.1           | V                            |
|                                  |   | ●   | 3.5   |          | V             |                              |
|                                  | Input Voltage Range (Low)                       | Guaranteed by CMRR<br>$T_A = -40^\circ\text{C to } 85^\circ\text{C}$  | ●   | 0.9      | 1.5           | V                            |
|                                  |   |   |   |          | 1.5           | V                            |
| CMRR                             | Common Mode Rejection Ratio                     | $V_{CM} = 1.5\text{V to } 3.5\text{V}$<br>$T_A = 0^\circ\text{C to } 70^\circ\text{C}$<br>$T_A = -40^\circ\text{C to } 85^\circ\text{C}$                                      | ●   | 73       | 82            | dB                           |
|                                  |   |   | ●   | 71       |               | dB                           |
|                                  |   |   | ●   | 70       |               | dB                           |
|                                  | Channel Separation                              | $V_{OUT} = 1.5\text{V to } 3.5\text{V}$ , $R_L = 100\Omega$ , LT1816/LT1817<br>$T_A = 0^\circ\text{C to } 70^\circ\text{C}$<br>$T_A = -40^\circ\text{C to } 85^\circ\text{C}$ | ●   | 81       | 100           | dB                           |
|                                  |   |   | ●   | 80       |               | dB                           |
|                                  |   |   | ●   | 79       |               | dB                           |
|                                  | Minimum Supply Voltage                          | Guaranteed by PSRR<br>$T_A = -40^\circ\text{C to } 85^\circ\text{C}$  | ●   | 2.5      | 4             | V                            |
|                                  |   |   |   |          | 4             | V                            |
| $A_{VOL}$                        | Large-Signal Voltage Gain                       | $V_{OUT} = 1.5\text{V to } 3.5\text{V}$ , $R_L = 500\Omega$<br>$T_A = 0^\circ\text{C to } 70^\circ\text{C}$<br>$T_A = -40^\circ\text{C to } 85^\circ\text{C}$                 | ●   | 1.0      | 2             | V/mV                         |
|                                  |   |   | ●   | 0.7      |               | V/mV                         |
|                                  |   |   | ●   | 0.6      |               | V/mV                         |
|                                  |   |   | $V_{OUT} = 1.5\text{V to } 3.5\text{V}$ , $R_L = 100\Omega$<br>$T_A = 0^\circ\text{C to } 70^\circ\text{C}$<br>$T_A = -40^\circ\text{C to } 85^\circ\text{C}$ | ●        | 0.7           | 1.5                          |
|                                  |   |   | ●   | 0.5      |               | V/mV                         |
|                                  |   |   | ●   | 0.4      |               | V/mV                         |
| $V_{OUT}$                        | Maximum Output Swing (High)                     | $R_L = 500\Omega$ , 30mV Overdrive<br>$T_A = 0^\circ\text{C to } 70^\circ\text{C}$<br>$T_A = -40^\circ\text{C to } 85^\circ\text{C}$  | ●   | 3.9      | 4.2           | V                            |
|                                  |   |   | ●   | 3.8      |               | V                            |
|                                  |   |   | ●   | 3.7      |               | V                            |
|                                  |   | $R_L = 100\Omega$ , 30mV Overdrive<br>$T_A = 0^\circ\text{C to } 70^\circ\text{C}$<br>$T_A = -40^\circ\text{C to } 85^\circ\text{C}$  | ●   | 3.7      | 4             | V                            |
|                                  |   |   | ●   | 3.6      |               | V                            |
|                                  |   | ●   | 3.5   |          | V             |                              |
| $V_{OUT}$                        | Maximum Output Swing (Low)                      | $R_L = 500\Omega$ , 30mV Overdrive<br>$T_A = 0^\circ\text{C to } 70^\circ\text{C}$<br>$T_A = -40^\circ\text{C to } 85^\circ\text{C}$  | ●   | 0.8      | 1.1           | V                            |
|                                  |   |   | ●   |          | 1.2           | V                            |
|                                  |   |   | ●   |          | 1.3           | V                            |
|                                  |   | $R_L = 100\Omega$ , 30mV Overdrive<br>$T_A = 0^\circ\text{C to } 70^\circ\text{C}$<br>$T_A = -40^\circ\text{C to } 85^\circ\text{C}$  | ●   | 1        | 1.3           | V                            |
|                                  |   |   | ●   |          | 1.4           | V                            |
|                                  |   | ●   |   | 1.5      | V             |                              |

181567fb

**ELECTRICAL CHARACTERISTICS** The ● denotes the specifications which apply over the full operating temperature range, otherwise specifications are at  $T_A = 25^\circ\text{C}$  (Note 8).  $V_S = 5\text{V}$ ,  $0\text{V}$ ;  $V_{CM} = 2.5\text{V}$ ,  $R_L$  to  $2.5\text{V}$ , unless otherwise noted. For the programmable current option (LT1815S6 or LT1816A), the  $I_{SET}$  pin must be connected to  $V^-$  through  $75\Omega$  or less, unless otherwise noted.

| SYMBOL        | PARAMETER   | CONDITIONS  | MIN    | TYP                              | MAX       | UNITS  |
|---------------|---|---|--------|----------------------------------|-----------|--|
| $I_{OUT}$     | Maximum Output Current                            | $V_{OUT} = 1.5\text{V}$ or $3.5\text{V}$ , 30mV Overdrive<br>$T_A = 0^\circ\text{C}$ to $70^\circ\text{C}$<br>$T_A = -40^\circ\text{C}$ to $85^\circ\text{C}$   | ●<br>● | $\pm 30$<br>$\pm 25$<br>$\pm 20$ | $\pm 50$  | mA<br>mA<br>mA   |
|               | Maximum Output Current (Low Power Mode) (Note 10) | LT1815S6/LT1816A; $40\text{k}\Omega$ Between $I_{SET}$ and $V^-$ ;<br>$V_{OUT} = 1.5\text{V}$ or $3.5\text{V}$ , 30mV Overdrive<br>$T_A = 0^\circ\text{C}$ to $70^\circ\text{C}$<br>$T_A = -40^\circ\text{C}$ to $85^\circ\text{C}$ | ●<br>● | $\pm 30$<br>$\pm 25$<br>$\pm 20$ | $\pm 50$  | mA<br>mA<br>mA   |
| $I_{SC}$      | Output Short-Circuit Current                      | $V_{OUT} = 2.5\text{V}$ , 1V Overdrive (Note 3)<br>$T_A = 0^\circ\text{C}$ to $70^\circ\text{C}$<br>$T_A = -40^\circ\text{C}$ to $85^\circ\text{C}$   | ●<br>● | $\pm 80$<br>$\pm 70$<br>$\pm 50$ | $\pm 140$ | mA<br>mA<br>mA   |
| SR            | Slew Rate   | $A_V = -1$ (Note 5)<br>$T_A = 0^\circ\text{C}$ to $70^\circ\text{C}$<br>$T_A = -40^\circ\text{C}$ to $85^\circ\text{C}$   | ●<br>● | 450<br>375<br>300                | 750       | V/ $\mu\text{s}$<br>V/ $\mu\text{s}$<br>V/ $\mu\text{s}$ |
| FPBW          | Full-Power Bandwidth                              | $2V_{P-P}$ (Note 6)   |        | 120                              |           | MHz  |
| GBW           | Gain-Bandwidth Product                            | $f = 200\text{kHz}$ , $R_L = 500\Omega$ , LT1815<br>$T_A = 0^\circ\text{C}$ to $70^\circ\text{C}$<br>$T_A = -40^\circ\text{C}$ to $85^\circ\text{C}$  | ●<br>● | 140<br>130<br>120                | 200       | MHz<br>MHz<br>MHz  |
|               |   | $f = 200\text{kHz}$ , $R_L = 500\Omega$ , LT1816/LT1817<br>$T_A = 0^\circ\text{C}$ to $70^\circ\text{C}$<br>$T_A = -40^\circ\text{C}$ to $85^\circ\text{C}$   | ●<br>● | 130<br>110<br>100                | 200       | MHz<br>MHz<br>MHz  |
|               | Gain-Bandwidth Product (Low Power Mode) (Note 10) | LT1815S6/LT1816A; $40\text{k}\Omega$ Between $I_{SET}$ and $V^-$ ;<br>$f = 200\text{kHz}$ , $R_L = 500\Omega$<br>$T_A = 0^\circ\text{C}$ to $70^\circ\text{C}$<br>$T_A = -40^\circ\text{C}$ to $85^\circ\text{C}$                   | ●<br>● | 30<br>25<br>20                   | 50        | MHz<br>MHz<br>MHz  |
| -3dB BW       | -3dB Bandwidth                                    | $A_V = 1$ , $R_L = 500\Omega$   |        | 300                              |           | MHz  |
| $t_r$ , $t_f$ | Rise Time, Fall Time                              | $A_V = 1$ , 10% to 90%, $0.1\text{V}$ , $R_L = 100\Omega$   |        | 1.2                              |           | ns   |
| $t_{PD}$      | Propagation Delay                                 | $A_V = 1$ , 50% to 50%, $0.1\text{V}$ , $R_L = 100\Omega$   |        | 1.5                              |           | ns   |
| OS            | Overshoot   | $A_V = 1$ , $0.1\text{V}$ ; $R_L = 100\Omega$   |        | 25                               |           | %  |
| $t_S$         | Settling Time                                     | $A_V = -1$ , 0.1%, $2\text{V}$  |        | 15                               |           | ns   |
| THD           | Total Harmonic Distortion                         | $A_V = 2$ , $f = 5\text{MHz}$ , $V_{OUT} = 2V_{P-P}$ , $R_L = 500\Omega$  |        | -65                              |           | dB   |
| dG            | Differential Gain                                 | $A_V = 2$ , $V_{OUT} = 2V_{P-P}$ , $R_L = 150\Omega$  |        | 0.08                             |           | %  |
| dP            | Differential Phase                                | $A_V = 2$ , $V_{OUT} = 2V_{P-P}$ , $R_L = 150\Omega$  |        | 0.13                             |           | Deg  |
| $R_{OUT}$     | Output Resistance                                 | $A_V = 1$ , $f = 1\text{MHz}$   |        | 0.24                             |           | $\Omega$   |
| $I_S$         | Supply Current                                    | LT1815<br>$T_A = 0^\circ\text{C}$ to $70^\circ\text{C}$<br>$T_A = -40^\circ\text{C}$ to $85^\circ\text{C}$  | ●<br>● | 6.3<br>10<br>11                  | 8         | mA<br>mA<br>mA   |
|               |   | LT1816/LT1817, per Amplifier<br>$T_A = 0^\circ\text{C}$ to $70^\circ\text{C}$<br>$T_A = -40^\circ\text{C}$ to $85^\circ\text{C}$  | ●<br>● | 6.3<br>12<br>13                  | 9         | mA<br>mA<br>mA   |
|               | Supply Current (Low Power Mode) (Note 10)         | LT1815S6/LT1816A, $40\text{k}\Omega$ Between $I_{SET}$ and $V^-$ , per Amplifier<br>$T_A = 0^\circ\text{C}$ to $70^\circ\text{C}$<br>$T_A = -40^\circ\text{C}$ to $85^\circ\text{C}$  | ●<br>● | 0.9<br>1.8<br>2.0                | 1.5       | mA<br>mA<br>mA   |
| $I_{SET}$     | $I_{SET}$ Pin Current (Note 10)                   | LT1815S6/LT1816A<br>$T_A = 0^\circ\text{C}$ to $70^\circ\text{C}$<br>$T_A = -40^\circ\text{C}$ to $85^\circ\text{C}$  | ●<br>● | -150<br>-175<br>-200             | -100      | $\mu\text{A}$<br>$\mu\text{A}$<br>$\mu\text{A}$          |

**Note 1:** Stresses beyond those listed under Absolute Maximum Ratings may cause permanent damage to the device. Exposure to any Absolute Maximum Rating condition for extended periods may affect device reliability and lifetime.

**Note 2:** Differential inputs of  $\pm 6\text{V}$  are appropriate for transient operation only, such as during slewing. Large sustained differential inputs can cause excessive power dissipation and may damage the part.

## ELECTRICAL CHARACTERISTICS

**Note 3:** A heat sink may be required to keep the junction temperature below absolute maximum when the output is shorted indefinitely.

**Note 4:** Input offset voltage is pulse tested and is exclusive of warm-up drift.

**Note 5:** Slew rate is measured between  $\pm 2V$  at the output with  $\pm 3V$  input for  $\pm 5V$  supplies and  $2V_{P-P}$  at the output with a  $3V_{P-P}$  input for single 5V supplies.

**Note 6:** Full-power bandwidth is calculated from the slew rate:

$$FPBW = SR/2\pi V_P$$

**Note 7:** This parameter is not 100% tested.

**Note 8:** The LT1815C/LT1816C/LT1817C are guaranteed to meet specified performance from 0°C to 70°C and are designed, characterized and

expected to meet the extended temperature limits, but are not tested at  $-40^\circ\text{C}$  and  $85^\circ\text{C}$ . The LT1815/LT1816/LT1817 are guaranteed to meet the extended temperature limits.

**Note 9:** Thermal resistance ( $\theta_{JA}$ ) varies with the amount of PC board metal connected to the package. The specified values are for short traces connected to the leads. If desired, the thermal resistance can be substantially reduced by connecting Pin 2 of the TSOT-23, Pin 4 of the SO-8 and MS8, Pin 5 of the MS10 or the underside metal of the DD package to a large metal area.

**Note 10:** A resistor of 40k or less is required between the  $I_{SET}$  and  $V^-$  pins of the LT1815S6 and the LT1816AMS. See the Applications Information section for information on selecting a suitable resistor.

## TYPICAL PERFORMANCE CHARACTERISTICS

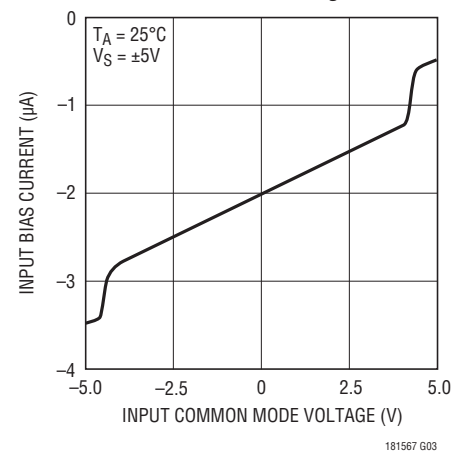
Supply Current vs Temperature



Input Common Mode Range vs Supply Voltage



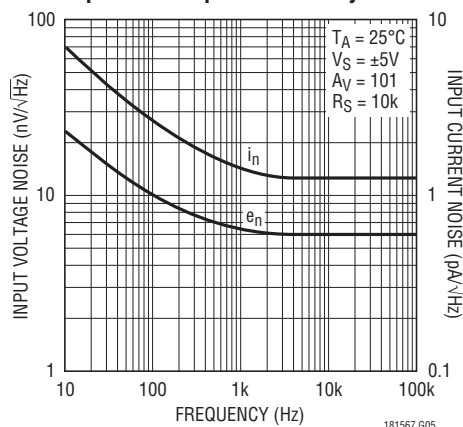
Input Bias Current vs Common Mode Voltage



Input Bias Current vs Temperature



Input Noise Spectral Density

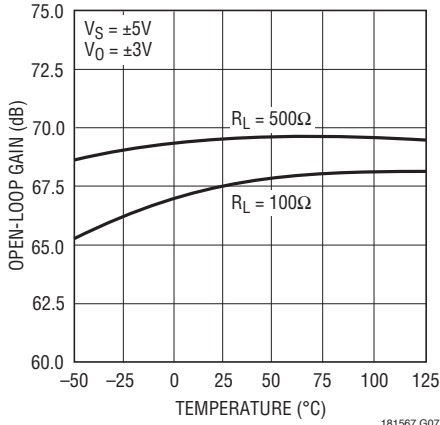


Open-Loop Gain vs Resistive Load



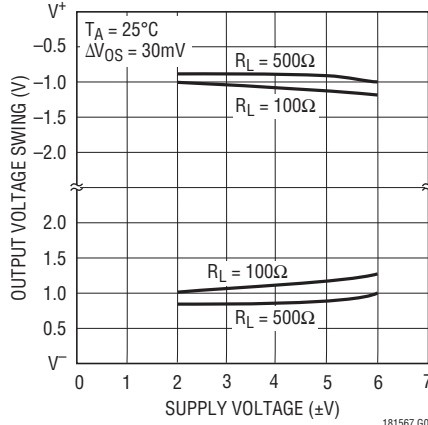
# TYPICAL PERFORMANCE CHARACTERISTICS

**Open-Loop Gain vs Temperature**



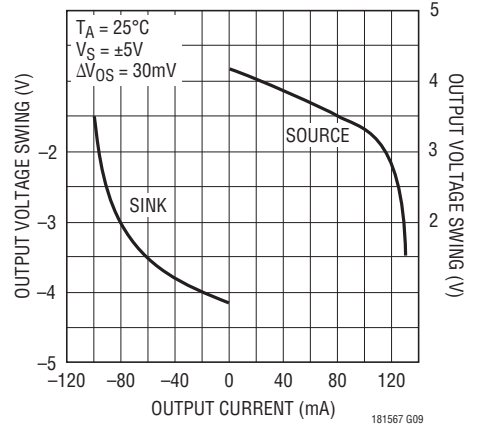
181567 G07

**Output Voltage Swing vs Supply Voltage**



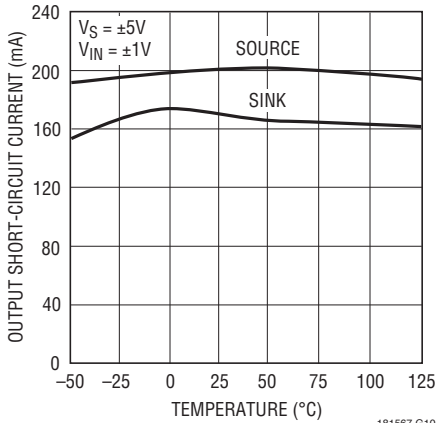
181567 G08

**Output Voltage Swing vs Load Current**



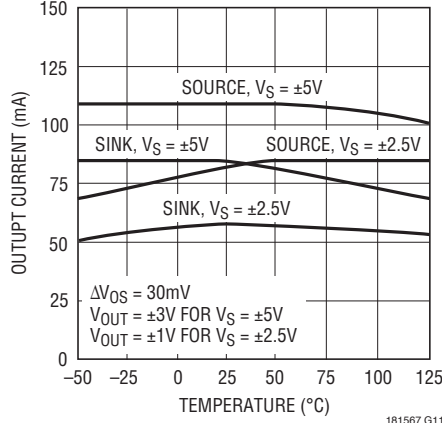
181567 G09

**Output Short-Circuit Current vs Temperature**



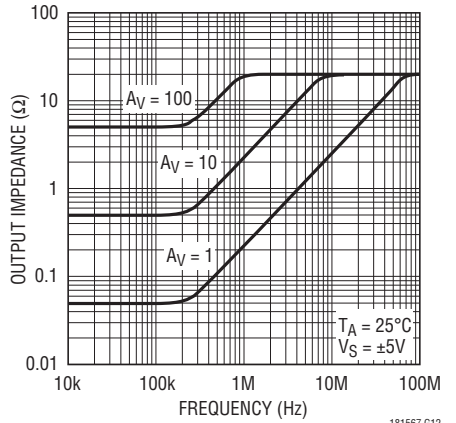
181567 G10

**Output Current vs Temperature**



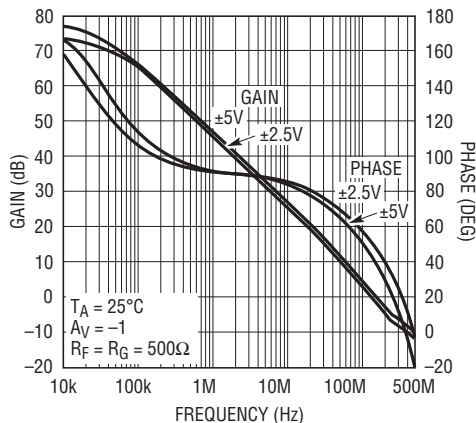
181567 G11

**Output Impedance vs Frequency**



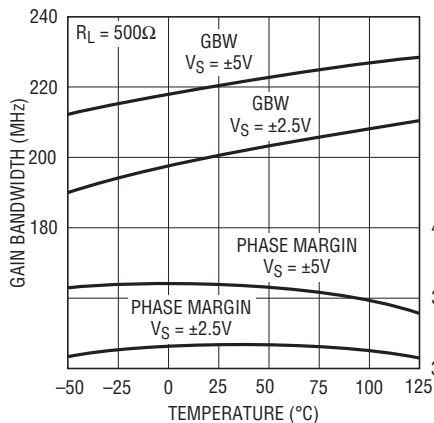
181567 G12

**Gain and Phase vs Frequency**



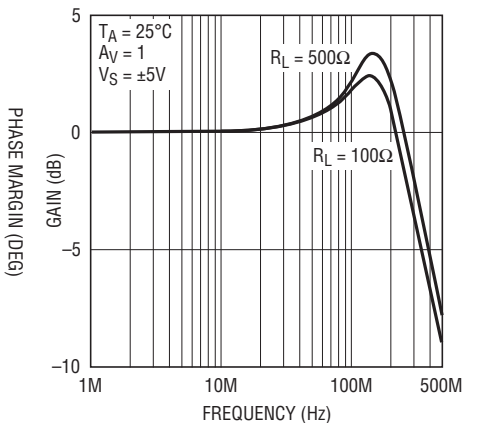
181567 G13

**Gain Bandwidth and Phase Margin vs Temperature**



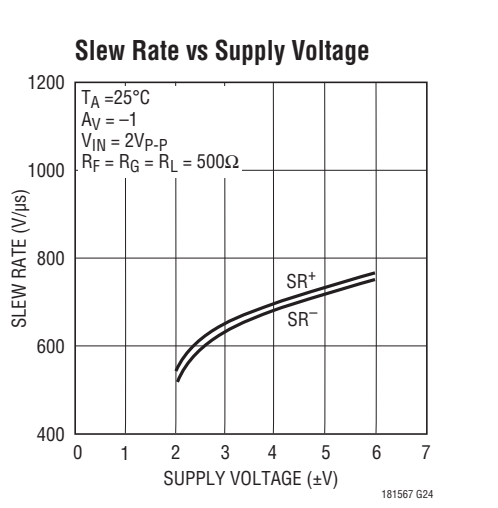
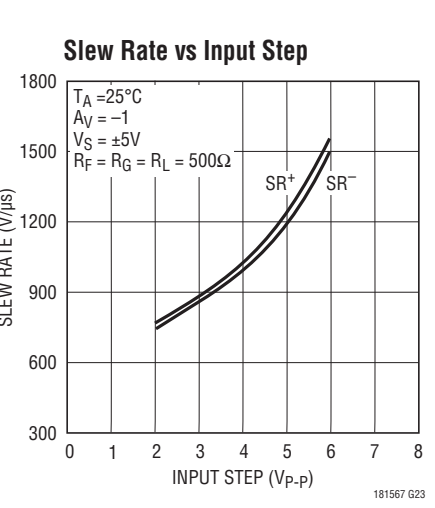
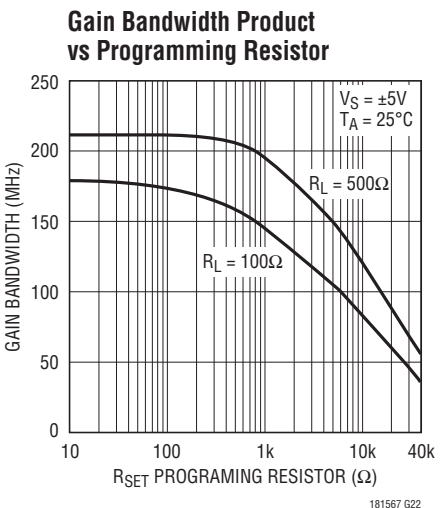
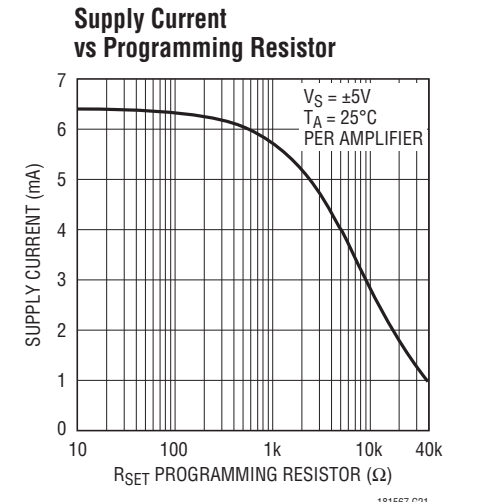
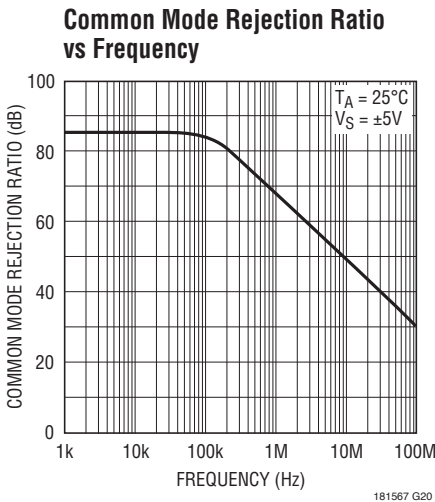
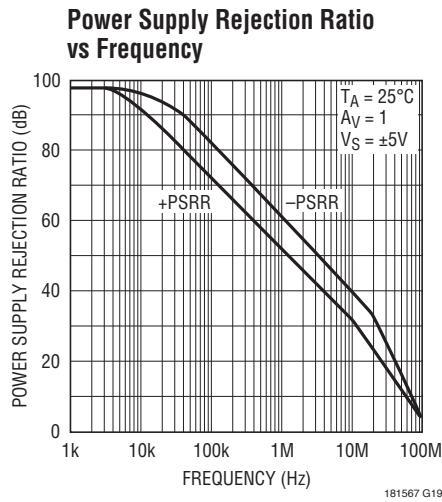
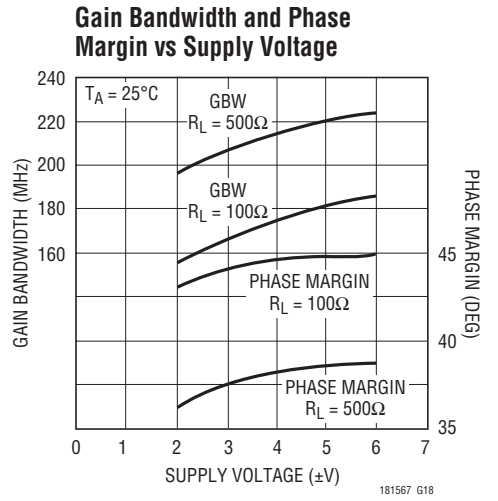
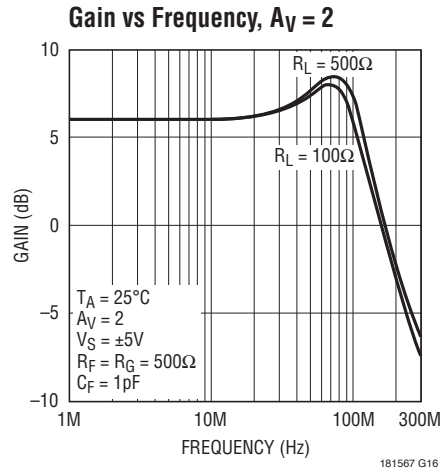
181567 G14

**Gain vs Frequency, AV = 1**



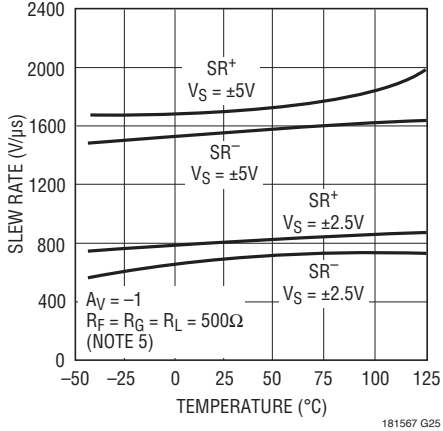
181567 G15

TYPICAL PERFORMANCE CHARACTERISTICS



# TYPICAL PERFORMANCE CHARACTERISTICS

**Slew Rate vs Temperature**



**Differential Gain and Phase vs Supply Voltage**



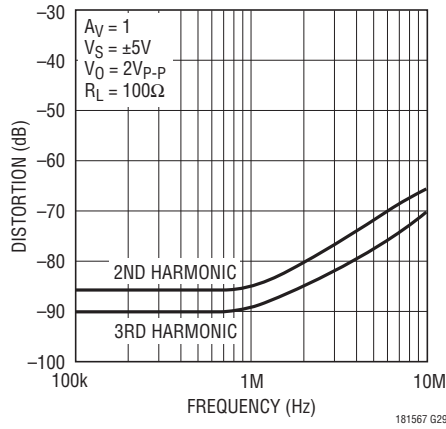
**Distortion vs Frequency, AV = 2**



**Distortion vs Frequency, AV = -1**



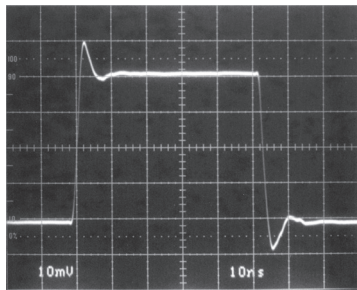
**Distortion vs Frequency, AV = 1**



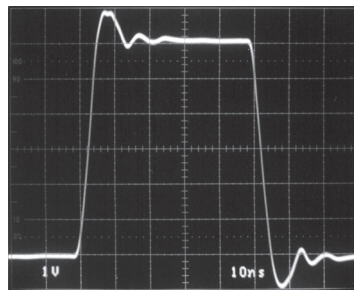
**Small-Signal Transient, AV = -1**



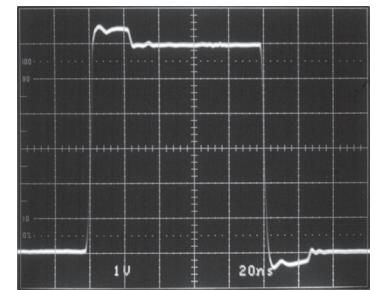
**Small-Signal Transient, AV = 1**



**Large-Signal Transient, AV = -1, VS = ±5V**



**Large-Signal Transient, AV = 1, VS = ±5V**



## APPLICATIONS INFORMATION

### Layout and Passive Components

As with all high speed amplifiers, the LT1815/LT1816/LT1817 require some attention to board layout. A ground plane is recommended and trace lengths should be minimized, especially on the negative input lead.

Low ESL/ESR bypass capacitors should be placed directly at the positive and negative supply (0.01μF ceramics are recommended). For high drive current applications, additional 1μF to 10μF tantalums should be added.

The parallel combination of the feedback resistor and gain setting resistor on the inverting input combine with the input capacitance to form a pole that can cause peaking or even oscillations. If feedback resistors greater than 1k are used, a parallel capacitor of value:

$$C_F > R_G \cdot C_{IN}/R_F$$

should be used to cancel the input pole and optimize dynamic performance. For applications where the DC noise gain is 1 and a large feedback resistor is used,  $C_F$  should be greater than or equal to  $C_{IN}$ . An example would be an I-to-V converter.

### Input Considerations

The inputs of the LT1815/LT1816/LT1817 amplifiers are connected to the base of an NPN and PNP bipolar transistor in parallel. The base currents are of opposite polarity and provide first-order bias current cancellation. Due to variation in the matching of NPN and PNP beta, the polarity of the input bias current can be positive or negative. The offset current, however, does not depend on beta matching and is tightly controlled. Therefore, the use of balanced source resistance at each input is recommended for applications where DC accuracy must be maximized. For example, with a 100Ω source resistance at each input, the 800nA maximum offset current results in only 80μV of extra offset, while without balance the 8μA maximum input bias current could result in a 0.8mV offset contribution.

The inputs can withstand differential input voltages of up to 6V without damage and without needing clamping or series resistance for protection. This differential input voltage generates a large internal current (up to 80mA), which results in the high slew rate. In normal transient

closed-loop operation, this does not increase power dissipation significantly because of the low duty cycle of the transient inputs. Sustained differential inputs, however, will result in excessive power dissipation and therefore **this device should not be used as a comparator.**

### Capacitive Loading

The LT1815/LT1816/LT1817 are optimized for high bandwidth and low distortion applications. They can drive a capacitive load of 10pF in a unity-gain configuration and more with higher gain. When driving a larger capacitive load, a resistor of 10Ω to 50Ω should be connected between the output and the capacitive load to avoid ringing or oscillation. The feedback should still be taken from the output so that the resistor will isolate the capacitive load to ensure stability.

### Slew Rate

The slew rate of the LT1815/LT1816/LT1817 is proportional to the differential input voltage. Therefore, highest slew rates are seen in the lowest gain configurations. For example, a 5V output step in a gain of 10 has a 0.5V input step, whereas in unity gain there is a 5V input step. The LT1815/LT1816/LT1817 are tested for a slew rate in a gain of -1. Lower slew rates occur in higher gain configurations.

### Programmable Supply Current (LT1815/LT1816A)

In order to operate the LT1815S6 or LT1816A at full speed (and full supply current), connect the  $I_{SET}$  pin to the negative supply through a resistance of 75Ω or less.

To adjust or program the supply current and speed of the LT1815S6 or LT1816A, connect an external resistor ( $R_{SET}$ ) between the  $I_{SET}$  pin and the negative supply, as shown in Figure 1. The amplifiers are fully functional with  $0 \leq R_{SET} \leq 40k$ . Figures 2 and 3 show how the gain bandwidth and supply current vary with the value of the programming resistor  $R_{SET}$ . In addition, the Electrical Characteristics section of the data sheet specifies maximum supply current and offset voltage, as well as minimum gain bandwidth and output current at the maximum  $R_{SET}$  value of 40k.

APPLICATIONS INFORMATION

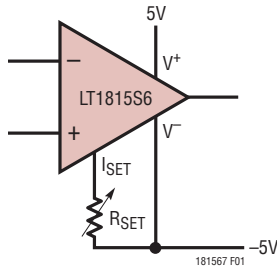


Figure 1. Programming Resistor Between ISET and V-

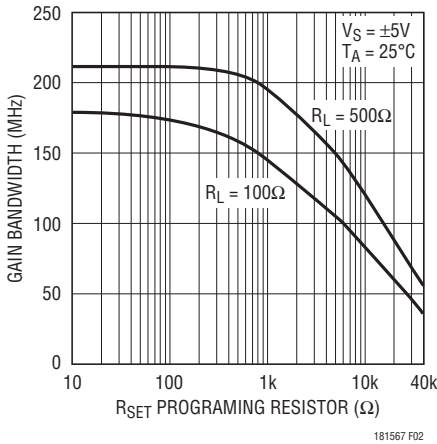


Figure 2. Gain Bandwidth Product vs RSET Programming Resistor

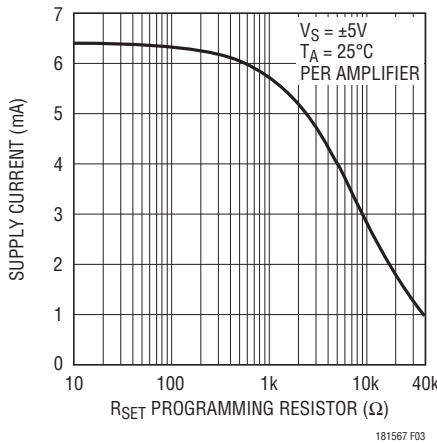


Figure 3. Supply Current vs RSET Programming Resistor

Power Dissipation

The LT1815/LT1816/LT1817 combine high speed and large output drive in small packages. It is possible to exceed the maximum junction temperature specification (150°C) under certain conditions. Maximum junction temperature (T<sub>J</sub>) is calculated from the ambient temperature (T<sub>A</sub>), power dissipation per amplifier (P<sub>D</sub>) and number of amplifiers (n) as follows:

$$T_J = T_A + (n \cdot P_D \cdot \theta_{JA})$$

Power dissipation is composed of two parts. The first is due to the quiescent supply current and the second is due to on-chip dissipation caused by the load current. The worst-case load induced power occurs when the output voltage is at one-half of either supply voltage (or the maximum swing if less than one-half the supply voltage). Therefore, P<sub>DMAX</sub> is:

$$P_{DMAX} = (V^+ - V^-) \cdot (I_{SMAX}) + (V^+/2)^2/R_L \text{ or}$$

$$P_{DMAX} = (V^+ - V^-) \cdot (I_{SMAX}) + (V^+ - V_{OMAX}) \cdot (V_{OMAX}/R_L)$$

Example: LT1816IS8 at 85°C, V<sub>S</sub> = ±5V, R<sub>L</sub> = 100Ω

$$P_{DMAX} = (10V) \cdot (11.5mA) + (2.5V)^2/100\Omega = 178mW$$

$$T_{JMAX} = 85^\circ C + (2 \cdot 178mW) \cdot (150^\circ C/W) = 138^\circ C$$

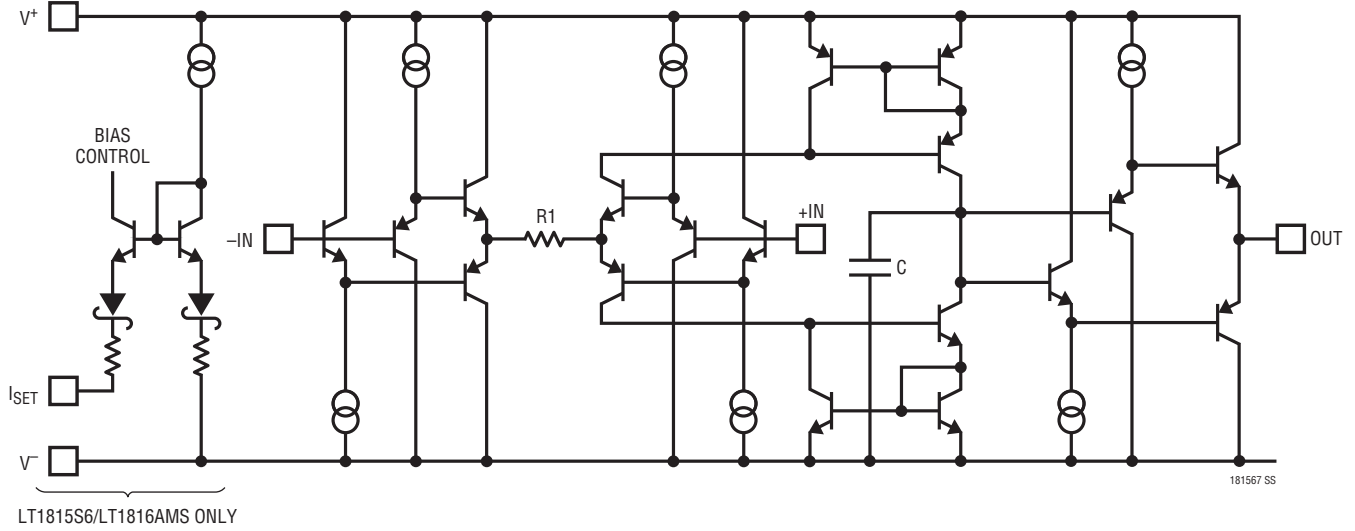
Circuit Operation

The LT1815/LT1816/LT1817 circuit topology is a true voltage feedback amplifier that has the slewing behavior of a current feedback amplifier. The operation of the circuit can be understood by referring to the Simplified Schematic. Complementary NPN and PNP emitter followers buffer the inputs and drive an internal resistor. The input voltage appears across the resistor, generating current that is mirrored into the high impedance node.

Complementary followers form an output stage that buffers the gain node from the load. The input resistor, input stage transconductance and the capacitor on the high impedance node determine the bandwidth. The slew rate is determined by the current available to charge the gain node capacitance. This current is the differential input voltage divided by R<sub>1</sub>, so the slew rate is proportional to the input step. Highest slew rates are therefore seen in the lowest gain configurations.

# LT1815/LT1816/LT1817

## SIMPLIFIED SCHEMATIC (One Amplifier)



## TYPICAL APPLICATIONS

### Two Op Amp Instrumentation Amplifier



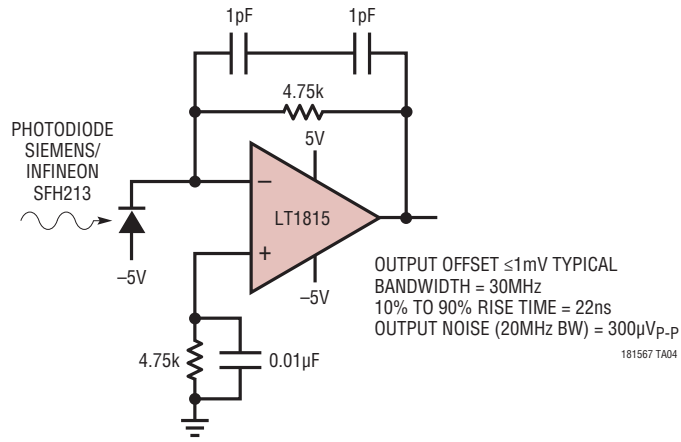
$$\text{GAIN} = \left[ \frac{R4}{R3} \right] \left[ 1 + \left( \frac{1}{2} \right) \left( \frac{R2 + R3}{R1 + R4} \right) + \frac{(R2 + R3)}{R5} \right] = 102$$

TRIM R5 FOR GAIN  
 TRIM R1 FOR COMMON MODE REJECTION  
 BW = 2MHz

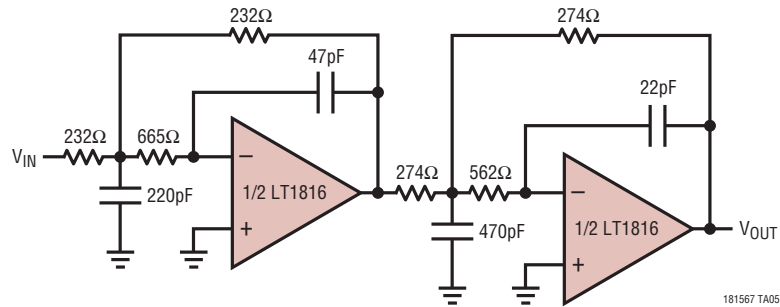
181567 TA03

**TYPICAL APPLICATIONS**

**Photodiode Transimpedance Amplifier**

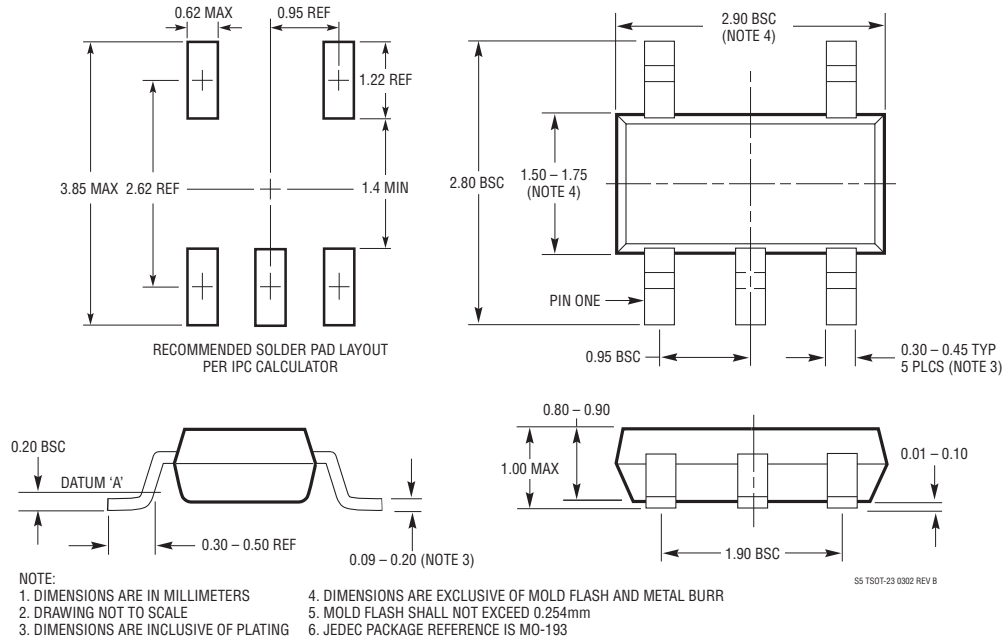


**4MHz, 4th Order Butterworth Filter**

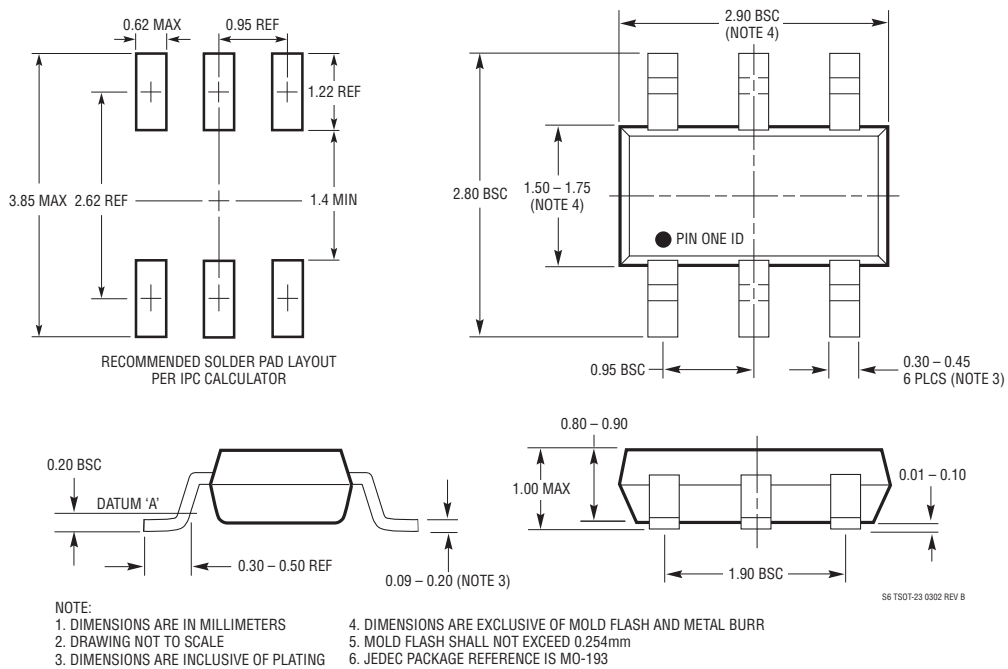


## PACKAGE DESCRIPTION

### S5 Package 5-Lead Plastic TSOT-23 (Reference LTC DWG # 05-08-1635)

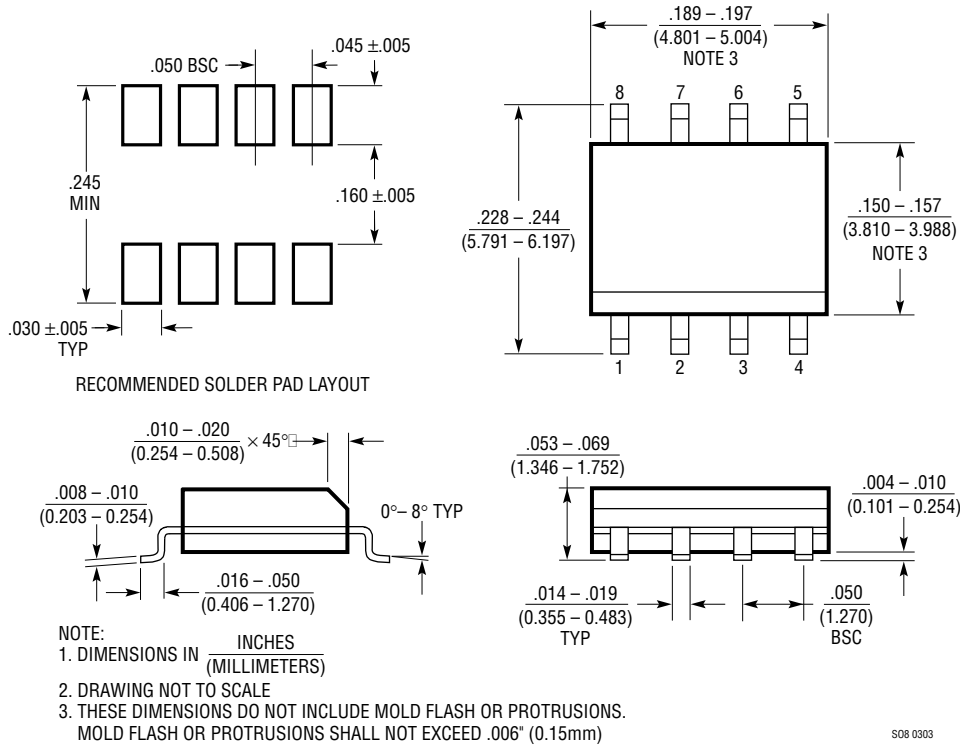


### S6 Package 6-Lead Plastic TSOT-23 (Reference LTC DWG # 05-08-1636)



**PACKAGE DESCRIPTION**

**S8 Package**  
**8-Lead Plastic Small Outline (Narrow .150 Inch)**  
 (Reference LTC DWG # 05-08-1610)



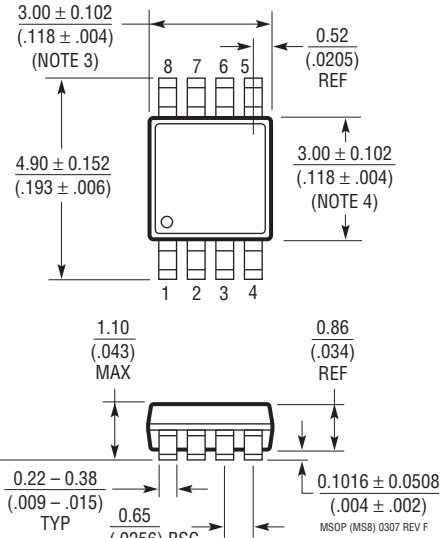
**DD Package**  
**8-Lead Plastic DFN (3mm × 3mm)**  
 (Reference LTC DWG # 05-08-1698 Rev C)



## PACKAGE DESCRIPTION

### MS8 Package 8-Lead Plastic MSOP

(Reference LTC DWG # 05-08-1660 Rev F)



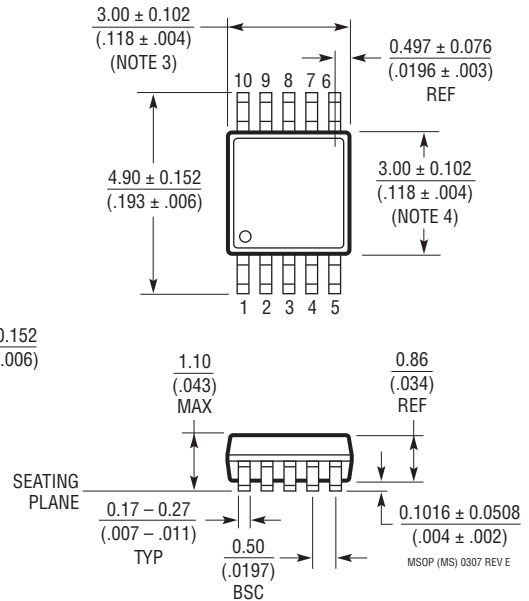
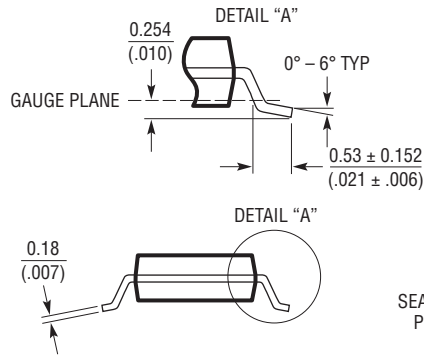
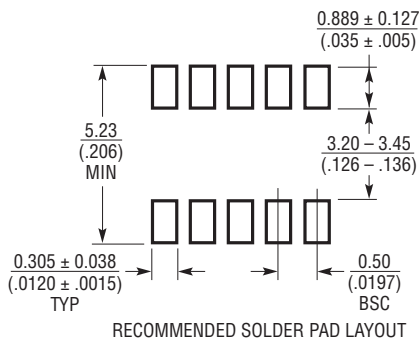
NOTE:

1. DIMENSIONS IN MILLIMETER/(INCH)
2. DRAWING NOT TO SCALE
3. DIMENSION DOES NOT INCLUDE MOLD FLASH, PROTRUSIONS OR GATE BURRS. MOLD FLASH, PROTRUSIONS OR GATE BURRS SHALL NOT EXCEED  $0.152\text{mm}$  ( $.006''$ ) PER SIDE

4. DIMENSION DOES NOT INCLUDE INTERLEAD FLASH OR PROTRUSIONS. INTERLEAD FLASH OR PROTRUSIONS SHALL NOT EXCEED  $0.152\text{mm}$  ( $.006''$ ) PER SIDE
5. LEAD COPLANARITY (BOTTOM OF LEADS AFTER FORMING) SHALL BE  $0.102\text{mm}$  ( $.004''$ ) MAX

### MS Package 10-Lead Plastic MSOP

(Reference LTC DWG # 05-08-1661 Rev E)



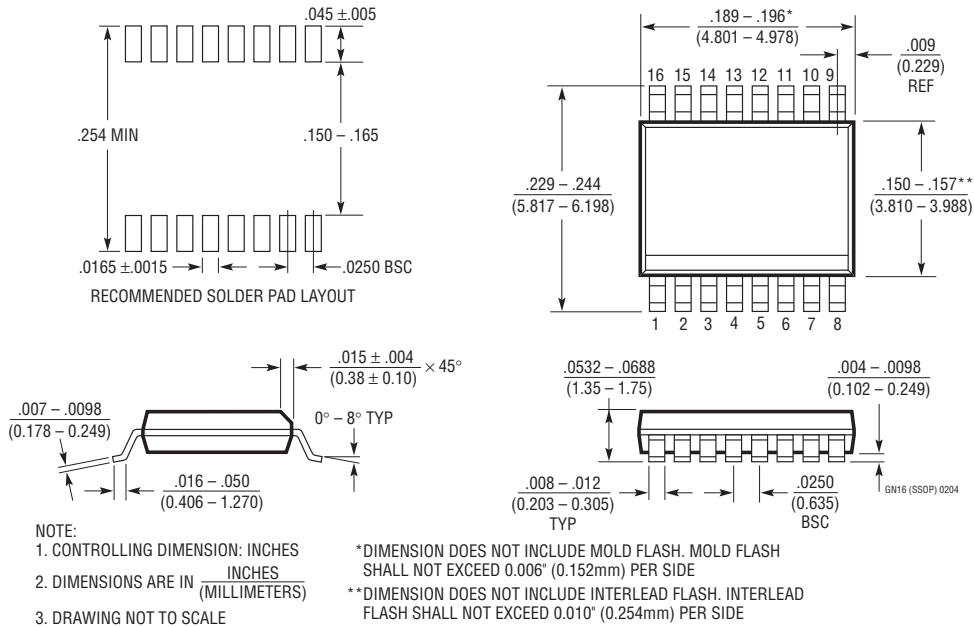
NOTE:

1. DIMENSIONS IN MILLIMETER/(INCH)
2. DRAWING NOT TO SCALE
3. DIMENSION DOES NOT INCLUDE MOLD FLASH, PROTRUSIONS OR GATE BURRS. MOLD FLASH, PROTRUSIONS OR GATE BURRS SHALL NOT EXCEED  $0.152\text{mm}$  ( $.006''$ ) PER SIDE

4. DIMENSION DOES NOT INCLUDE INTERLEAD FLASH OR PROTRUSIONS. INTERLEAD FLASH OR PROTRUSIONS SHALL NOT EXCEED  $0.152\text{mm}$  ( $.006''$ ) PER SIDE
5. LEAD COPLANARITY (BOTTOM OF LEADS AFTER FORMING) SHALL BE  $0.102\text{mm}$  ( $.004''$ ) MAX

**PACKAGE DESCRIPTION**

**GN Package**  
**16-Lead Plastic SSOP (Narrow .150 Inch)**  
 (Reference LTC DWG # 05-08-1641)



**S Package**  
**14-Lead Plastic Small Outline (Narrow .150 Inch)**  
 (Reference LTC DWG # 05-08-1610)



S14 0502

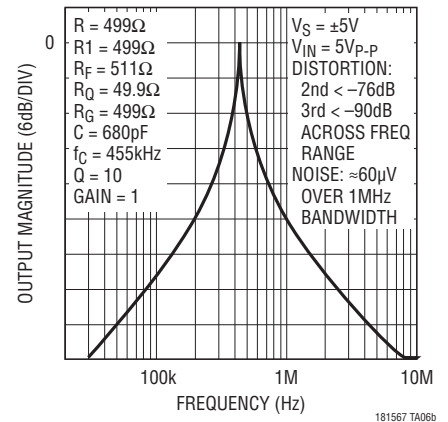
# LT1815/LT1816/LT1817

## TYPICAL APPLICATION

Bandpass Filter with Independently Settable Gain, Q and  $f_c$



455kHz Filter Frequency Response



Differential DSL Receiver



## RELATED PARTS

| PART NUMBER          | DESCRIPTION  | COMMENTS  |
|----------------------|--|---|
| LT1363/LT1364/LT1365 | Single/Dual/Quad 70MHz, 1V/ns, C-Load™ Op Amps             | Wide Supply Range: $\pm 2.5V$ to $\pm 15V$                |
| LT1395/LT1396/LT1397 | Single/Dual/Quad 400MHz Current Feedback Amplifiers        | 4.6mA Supply Current, 800V/ $\mu s$ , 80mA Output Current |
| LT1806/LT1807        | Single/Dual 325MHz, 140V/ $\mu s$ Rail-to-Rail I/O Op Amps | Low Noise: $3.5nV/\sqrt{Hz}$                              |
| LT1809/LT1810        | Single/Dual 180MHz, 350V/ $\mu s$ Rail-to-Rail I/O Op Amps | Low Distortion: 90dBc at 5MHz                             |
| LT1812/LT1813/LT1814 | Single/Dual/Quad 3mA, 100MHz, 750V/ $\mu s$ Op Amps        | Low Power: 3.6mA Max at $\pm 5V$                          |

C-Load is a trademark of Linear Technology Corporation.

181567fb

## Looking for pricing, stock, or lifecycle information?

Click below to explore more details on WIN SOURCE:

 [View LT1817CGN#PBF on WIN SOURCE](#)

 [Analog Devices Inc. Information](#)

## Optimize Your Supply Chain with WIN SOURCE Solutions

-  Global Sourcing Solution
-  Obsolete Management
-  Cost Control Management
-  Shortage Management
-  Alternative Solution
-  Excess Inventory Management