

LMX2541EVM Ultra Low Noise PLLatinum™ Frequency Synthesizer with Integrated VCO Evaluation Board Operating Instructions

User's Guide



Literature Number: SNAU067B

–Revised June 2016

1	Equipment	3
1.1	Power Supply.....	3
1.2	Signal Generator.....	3
1.3	Phase Noise / Spectrum Analyzer.....	3
1.4	Oscilloscope.....	3
2	Basic Operation	4
2.1	Evaluation Board Setup.....	4
2.2	LMX2541-xxxx Board Information.....	6
2.3	LMX2541SQ2060E Setup and Measured Performance.....	7
2.4	LMX2541SQ2380E Setup and Measured Performance.....	8
2.5	LMX2541SQ2690E Setup and Measured Performance.....	9
2.6	LMX2541SQ3030E Setup and Measured Performance.....	10
2.7	LMX2541SQ3320E Setup and Measured Performance.....	11
2.8	LMX2541SQ3740E Setup and Measured Performance.....	12
3	Board Stackup Layers	13
3.1	Board Stackup Layers.....	13
4	Bill of Materials	14
4.1	BOM.....	14
5	Schematic	16
5.1	Schematic.....	16
6	Assembly Drawing	17
6.1	Assembly Drawing.....	17
7	Quick Start on EVM Communication	22
7.0.1	Quick Start for EVM Communications.....	22
	Revision History	24

Equipment

1.1 Power Supply

The Power Supply should be a low noise power supply. An Agilent 6623A Triple power supply with LC filters on the output to reduce noise was used in creating these evaluation board instructions.

1.2 Signal Generator

The Signal Generator should be capable of frequencies and power level required for the part. A Rohde & Schwarz SML03 was used in creating these evaluation board instructions.

1.3 Phase Noise / Spectrum Analyzer

For measuring phase noise an Agilent E5052A is recommended. An Agilent E4445A PSA Spectrum Analyzer with the Phase Noise option is also usable although the architecture of the E5052A is superior for phase noise measurements. At frequencies less than 100 MHz the local oscillator noise of the PSA is too high and measurements will be of the local oscillator, not the device under test.

1.4 Oscilloscope

The oscilloscope and probes should be capable of measuring the output frequencies of interest when evaluating this board. The Agilent Infiniium DSO81204A was used in creating these evaluation board instructions.

Basic Operation

2.1 Evaluation Board Setup

For more information please look at Section 7: Quick Start Guide for EVM Communication.

- 1. Connect a low noise 3.3 V power supply to the Vcc connector located at the top left of the board.
- 2. Please see Appendix D for quick start on interfacing the board. Connect PC to the uWire header.

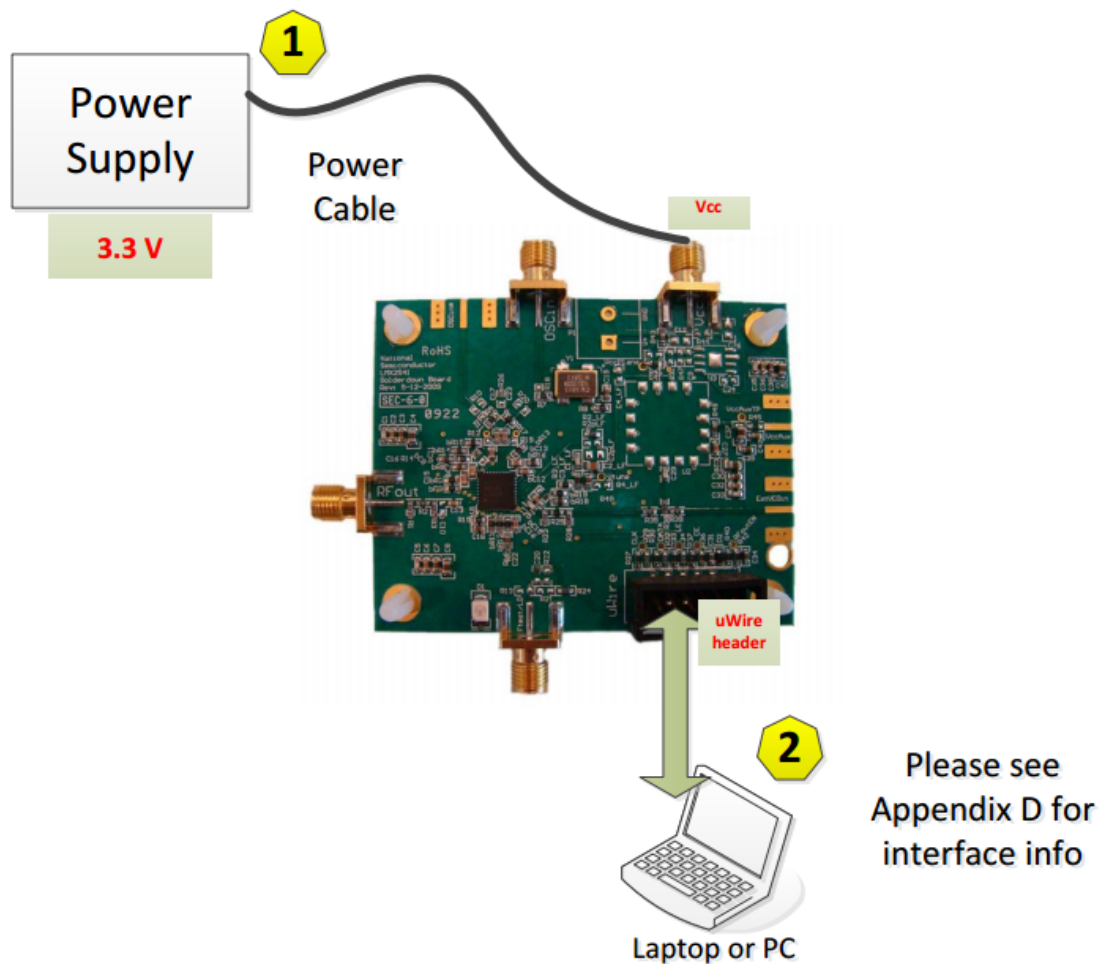


Figure 2-1. Getting Started With LMX2541EVM

- 3. Start CodeLoader4.exe.
Codeloader is the software used to communicate with the EVM (Please download the latest version from TI.com - <http://www.ti.com/tool/codeloader>). This EVM can be controlled through the uWire interface on board. There are two options in communicating with the uWire interface from the computer.

- 4. Select USB or LPT Communication Mode on the Port Setup tab as appropriate.
- 5. Click “Select Device” → “PLL-VCO” → LMX2541xxxx depending on which chip is on your board.

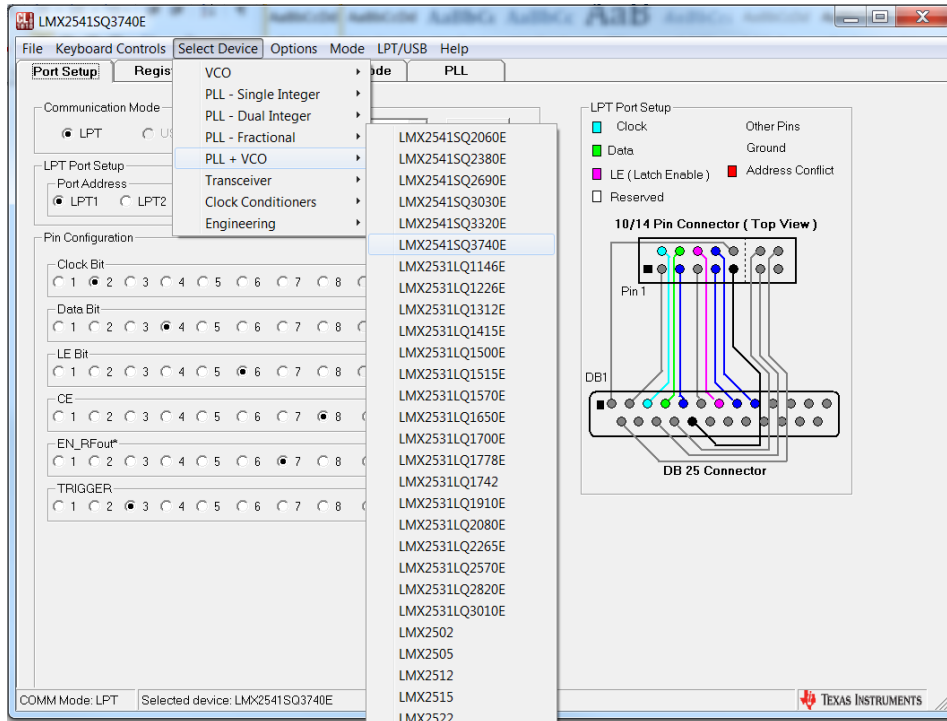


Figure 2-2. Selecting Device in Code Loader

- 6. Check your window with “PLL/VCO” Tab screenshot, 100 MHz input, but VCO output will be different depending on which LMX2541xxxx you selected.

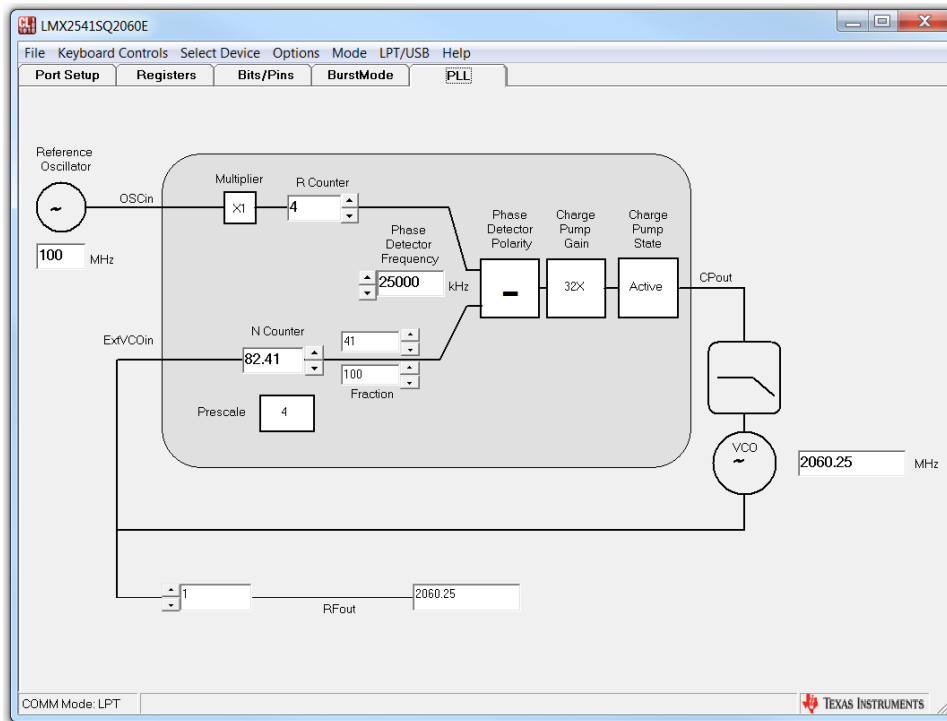


Figure 2-3. Code Loader Settings

2.2 LMX2541-xxxx Board Information

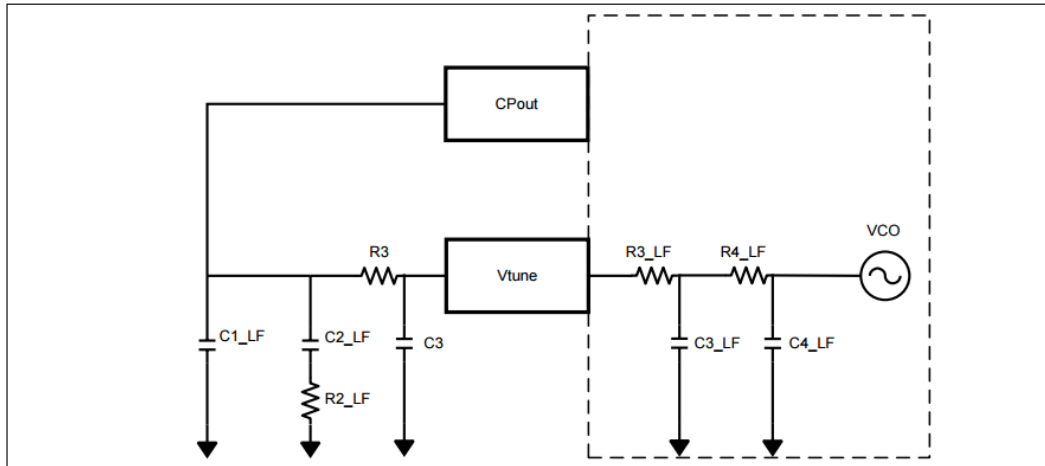


Figure 2-4. Loop Filter

Table 2-1.

Parameter	LMX2541	LMX2541	LMX2541	LMX2541	LMX2541	LMX2541
	SQ2060E	SQ2380E	SQ2690E	SQ3030E	SQ3320E	SQ3470E
VCO Frequency (MHz)	1990 – 2240	2200 – 2530	2490 – 2865	2810 – 3230	3130 – 3600	3480 – 4000
VCO Gain (MHz/V)	13 – 23	16 – 30	17 – 32	20 – 37	21 – 37	27 – 42
Charge Pump Gain (mA)	3.2	3.2	3.2	3.2	3.2	3.2
Phase Detector Frequency (MHz)	25	25	25	25	25	25
OSCin Frequency (MHz)	100	100	100	100	100	100
Loop Bandwidth (kHz)	37.3 – 54.6	40.8 – 61.7	38.7 – 58.6	40.0 – 59.9	38.1 – 54.7	43.1 – 55.7
Phase Margin (°)	52.7 – 52.8	53.1 – 52.0	52.9 – 52.4	53.0 – 52.2	52.8 – 52.8	53.2 – 52.7
C1_LF (nF)	2.2	2.2	2.2	2.2	2.2	2.2
C2_LF (nF)	22	22	22	22	22	22
R2_LF (k Ω)	0.47	0.47	0.47	0.47	0.47	0.47
C3_LF (Internal) (nF)	0.02	0.02	0.02	0.02	0.02	0.02
C4_LF (Internal) (nF)	0.1	0.1	0.1	0.1	0.1	0.1
R3_LF (Internal) (k Ω)	1	1	1	1	1	1
R4_LF (Internal) (k Ω)	0.2	0.2	0.2	0.2	0.2	0.2

For detailed design and simulation, please check our [PLLatinum Sim Tool](#).

2.3 LMX2541SQ2060E Setup and Measured Performance

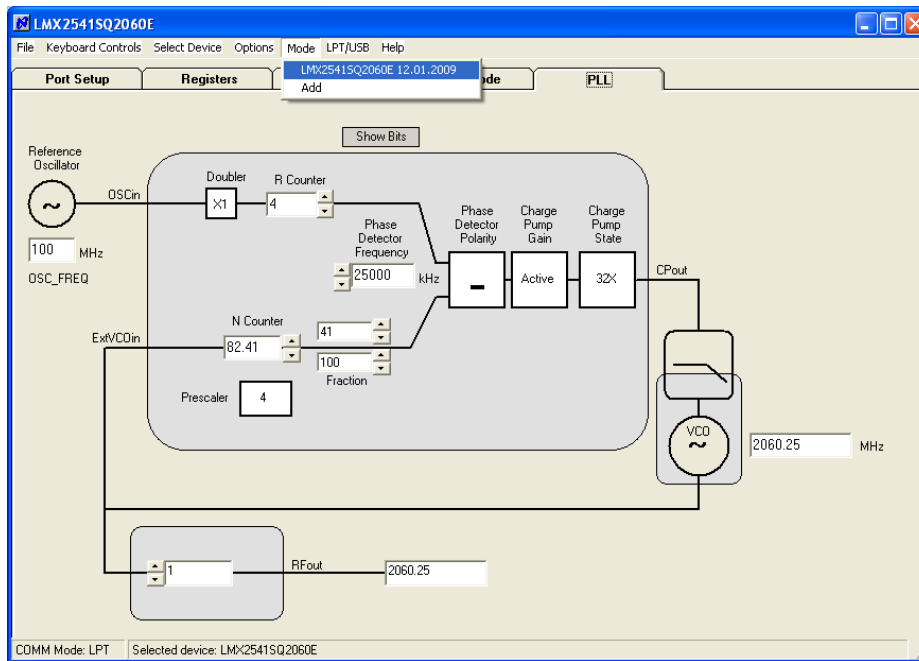


Figure 2-5. LMX2541SQ2060E Code Loader Settings

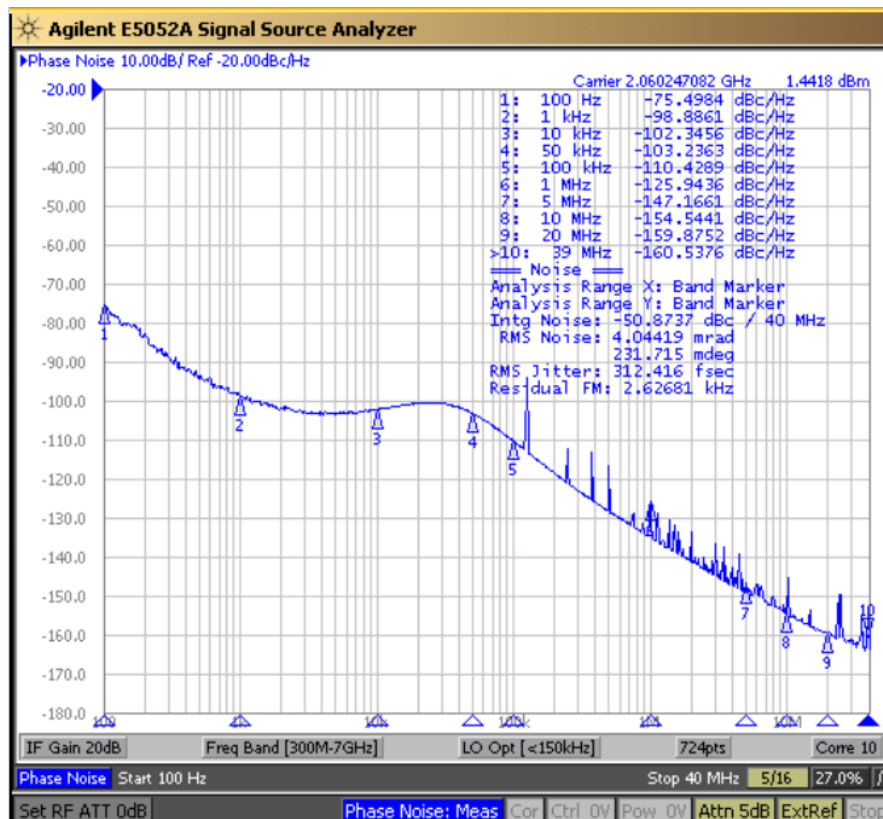


Figure 2-6. LMX2541SQ2060E Measured Performance

2.4 LMX2541SQ2380E Setup and Measured Performance

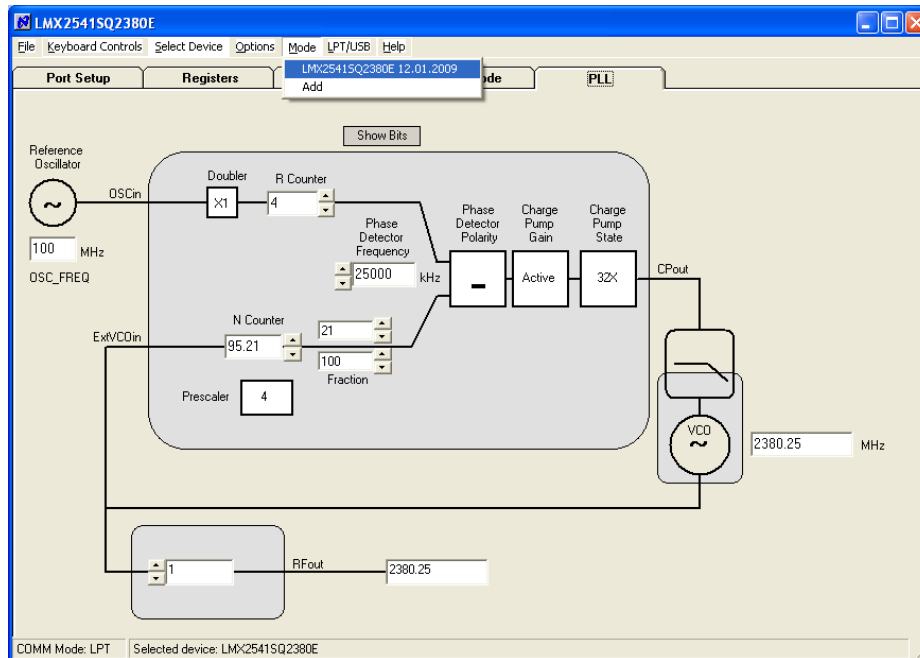


Figure 2-7. LMX2541SQ2380E Code Loader Settings

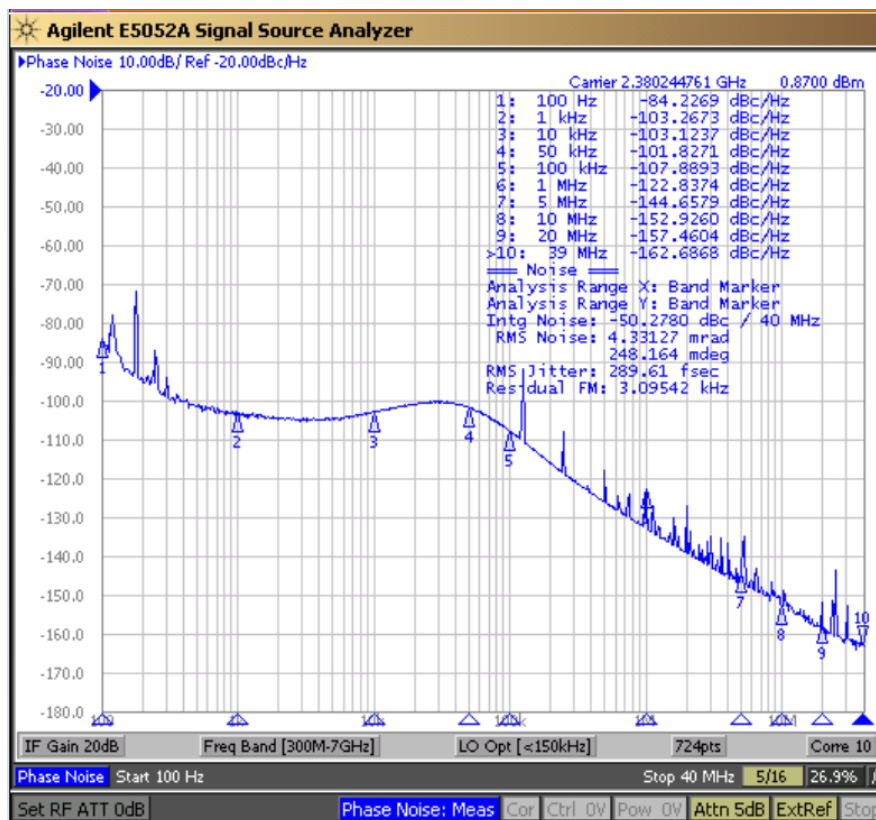


Figure 2-8. LMX2541SQ2380E Measured Performance

2.5 LMX2541SQ2690E Setup and Measured Performance

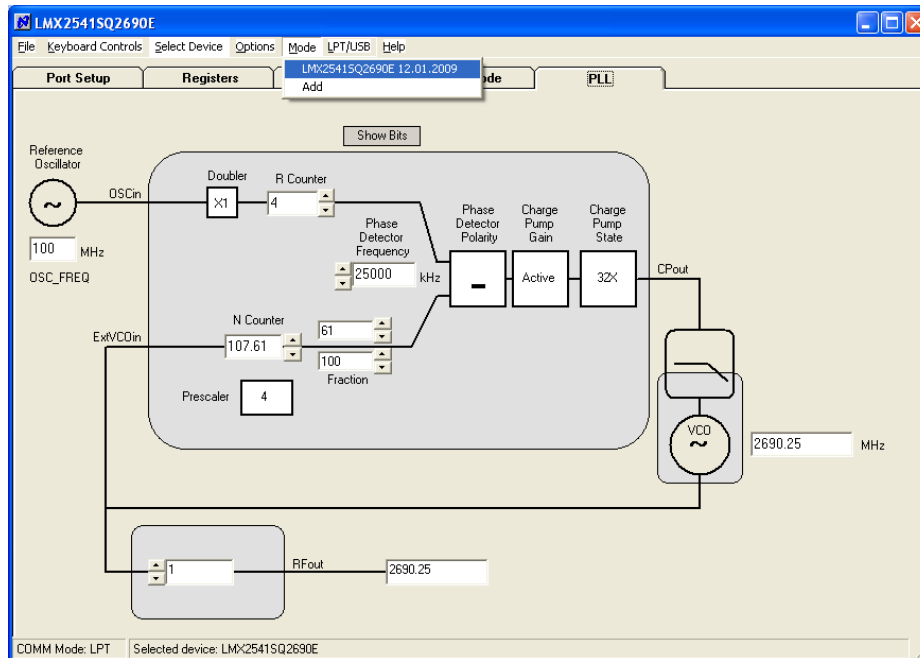


Figure 2-9. LMX2541SQ2690E Code Loader Settings

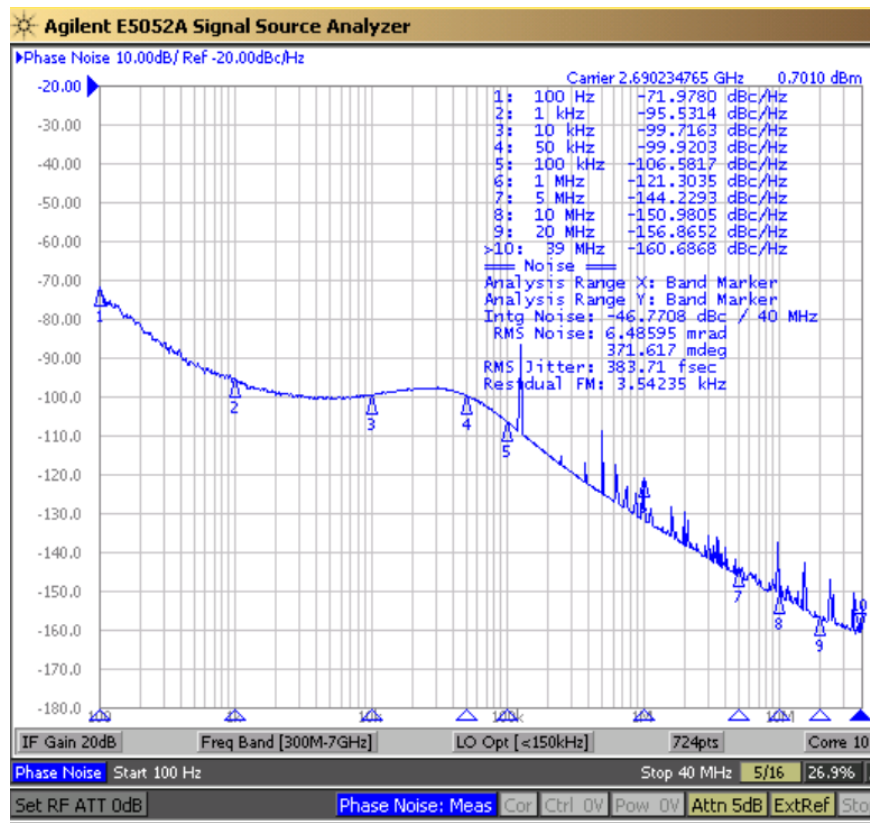


Figure 2-10. LMX2541SQ2690E Measured Performance

2.6 LMX2541SQ3030E Setup and Measured Performance

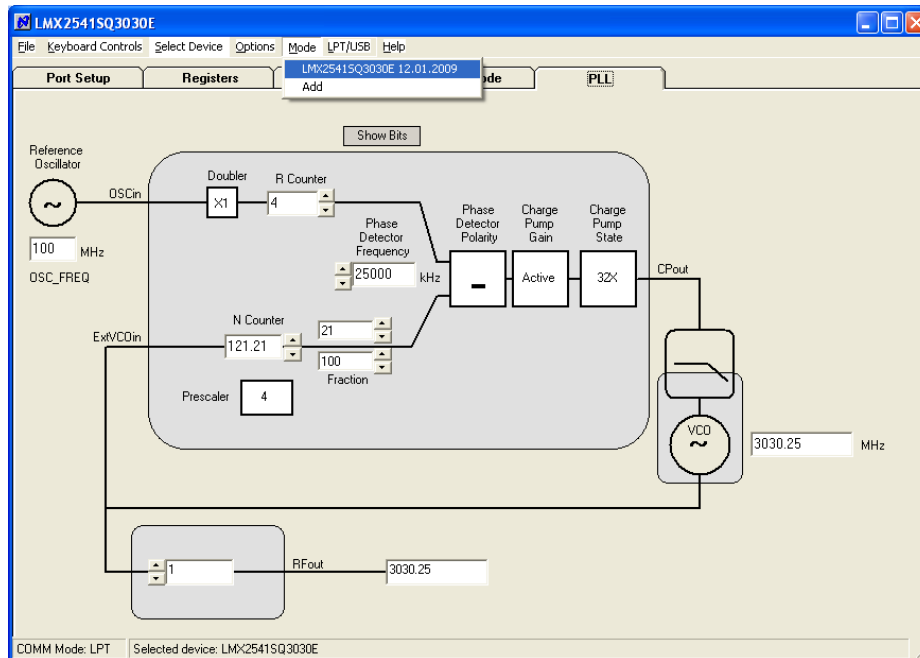


Figure 2-11. LMX2541SQ3030E Code Loader Settings

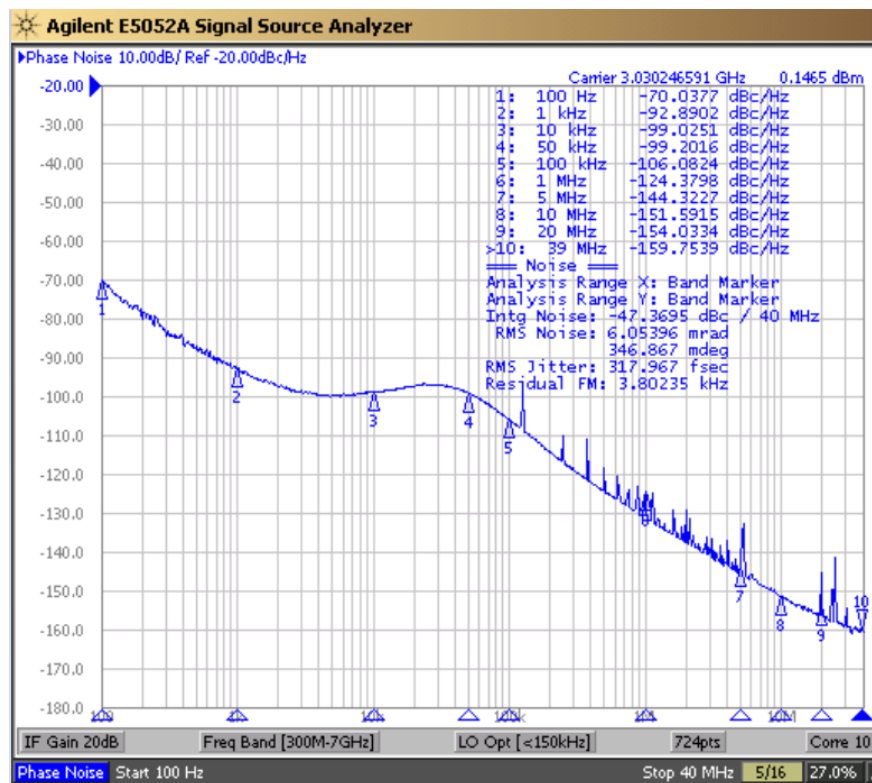


Figure 2-12. LMX2541SQ3030E Measured Performance

2.7 LMX2541SQ3320E Setup and Measured Performance

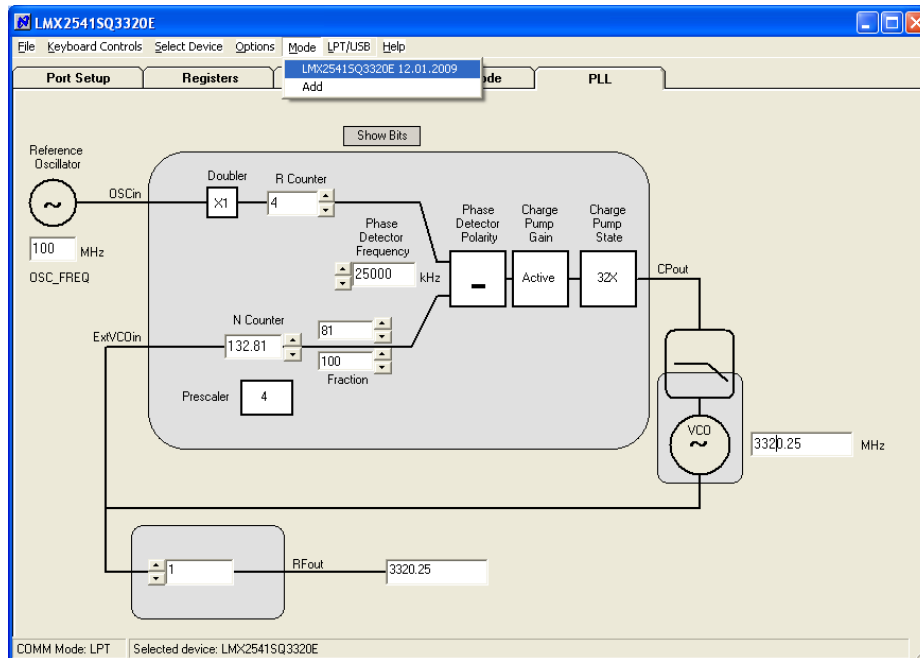


Figure 2-13. LMX2541SQ3320E Code Loader Settings

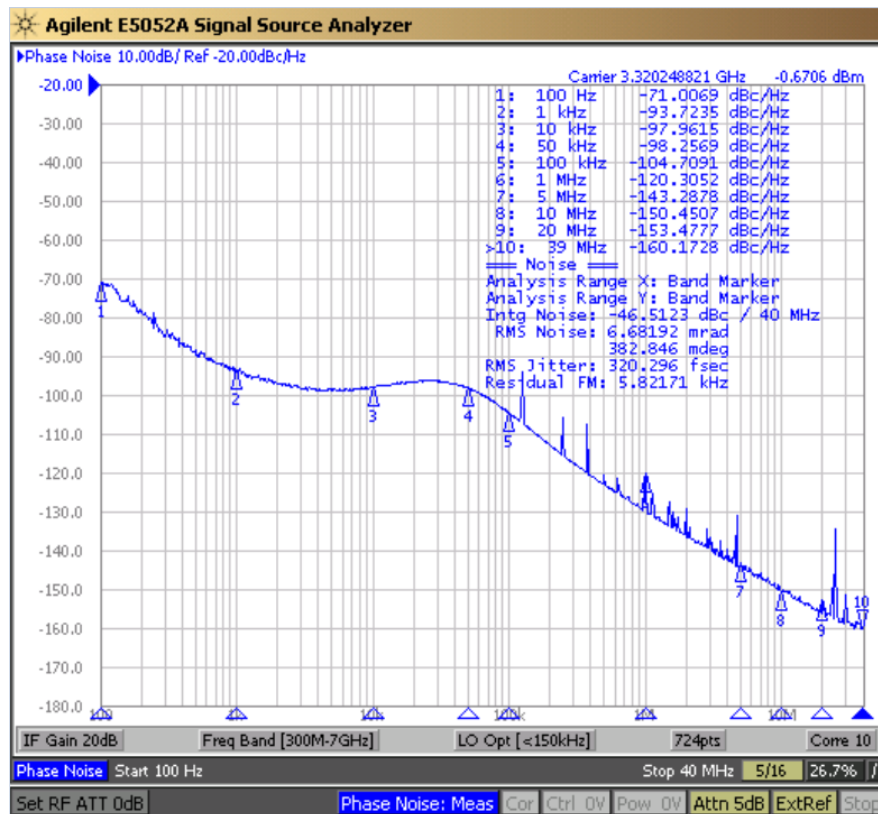


Figure 2-14. LMX2541SQ3320E Measured Performance

2.8 LMX2541SQ3740E Setup and Measured Performance

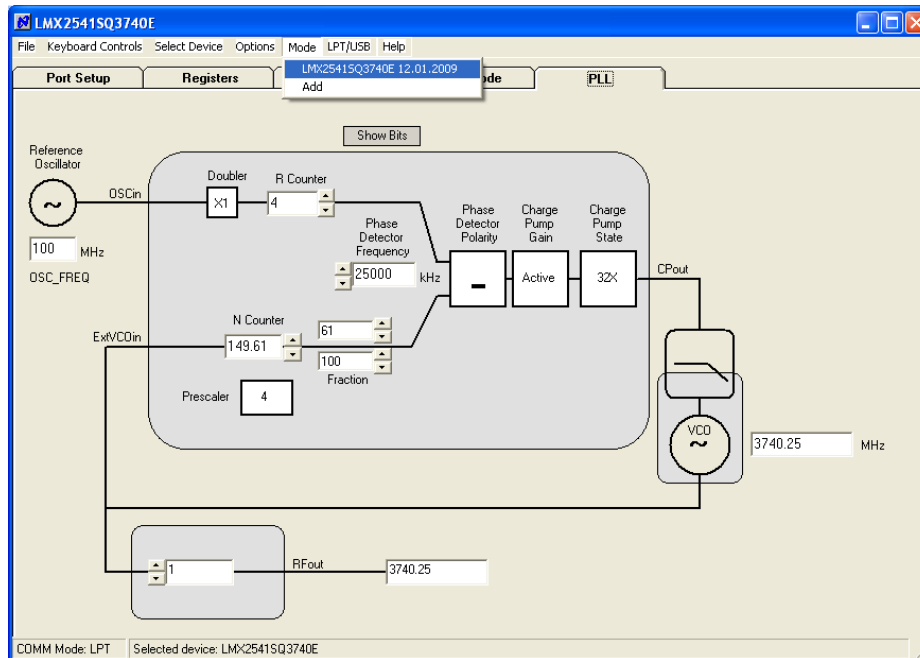


Figure 2-15. LMX2541SQ3740E Code Loader Settings

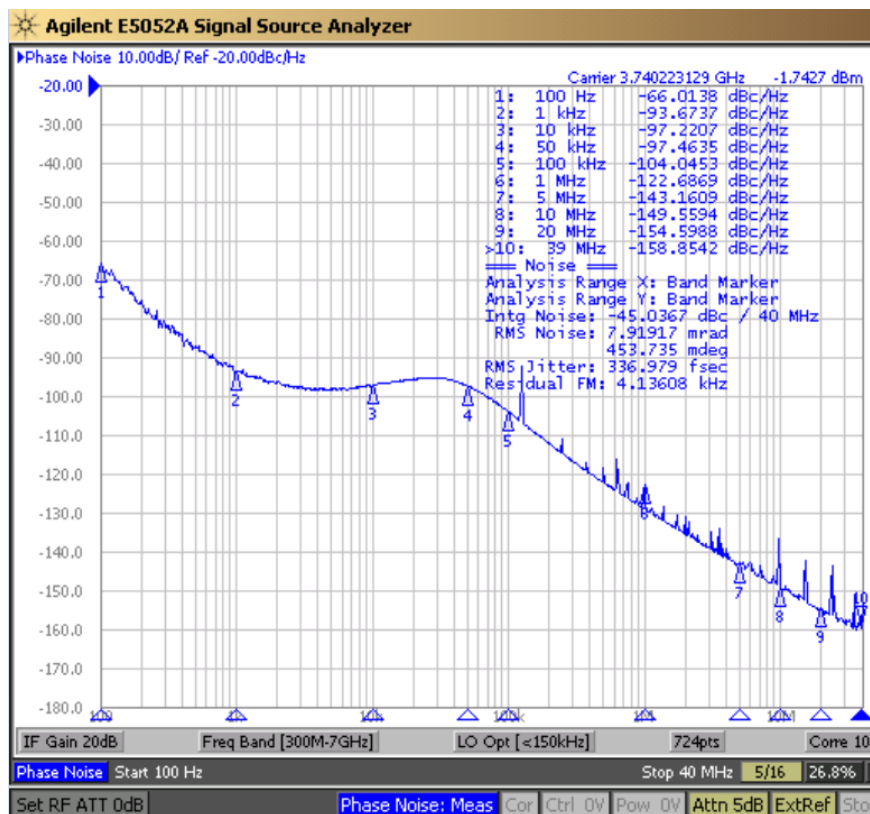


Figure 2-16. LMX2541SQ3740E Measured Performance

Board Stackup Layers

3.1 Board Stackup Layers

Table 3-1.

Board Material	Rogers RO4003 (Top Layer to Ground Plane (.G1)) Remaining layers - FR4
Number of Layers	4
Board Thickness	0.062"
Copper Weight	1 oz Finished
Finish	Immersion Gold
Solder Mask Color	Green/Gloss
Testing	100% Electrical Testing

Table 3-2.

Name	K	Tand
RO4003 (16 mil)	3.38	0.0022

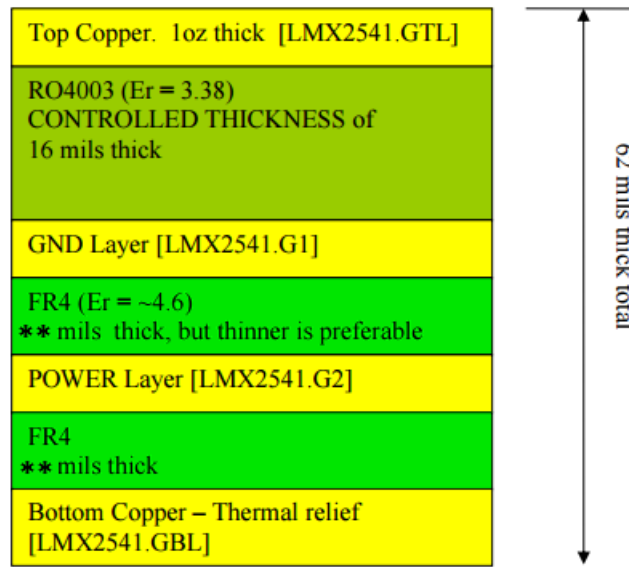


Figure 3-1. Board Stackup Parameters

Thickness for RO4003 must be 16 mils. Total thickness must be 62 mils. Thickness of FR4 is not critical and may vary.

Bill of Materials

4.1 BOM

Table 4-1. Bill of Materials

Version	7/27/2009			
Qty	Part	Manufacturer	Part Number	Identifier
Capacitors				
4	100 pF	Kemet	C0603C101J5GAC	C1, C5, C33, C35
1	2.2 nF	Kemet	C0603C222J5GAC	C3_LF
1	22 nF	Kemet	C0603C223K5RAC	C2_LF
16	0.1 uF	Kemet	C0603C104K5RAC	bC7, bC12, bC13, bC15, bC16, C13, C15, C17, C22, C23, C2, C6, C27, C32, C36, C41
10	1 uF	Kemet	C0603C105K8VAC	C3, C7, C16, C18, C19, C30, C31, C34, C38, C39
1	4.7 uF	Kemet	C0603C475K9PAC	C21
5	10 uF	Kemet	C0805C106K9PAC	C4, C8, C28, C37, C40
Resistors				
10	0 ohm	Vishay/Dale	CRCW06030000Z0EA	bR2, bR3, bR11, bR12, R49, R3_LF, R21, R41, R43, R45
2	4.7 ohm	Vishay/Dale	CRCW06034R7JNEA	R14, R16, R48
2	10 ohm	Vishay/Dale	CRCW060310R0JNEA	R8, R15
1	18 ohm	Vishay/Dale	CRCW060318R0JNEA	R2
3	51 ohm	Vishay/Dale	CRCW060351R0JNEA	R7, R9, R17
1	180 ohm	Vishay/Dale	CRCW0603180RJNEA	R36
2	330 ohm	Vishay/Dale	CRCW0603330RJNEA	R1, R3
1	470 ohm	Vishay/Dale	CRCW0603470RJNEA	R2_LF
1	2.2 k	Vishay/Dale	CRCW06032K20JNEA	R37
3	15 k	Vishay/Dale	CRCW060315K0JNEA	R29, R32, R34
5	27 k	Vishay/Dale	CRCW060327K0JNEA	R27, R30, R33, R40, R42
Other				
7	Ferrite	Digikey	490-1015-1-ND	bR8, bR13, bR14, bR15, bR16, bR18, bR19
1	3.3 V zener	Comchip	CZRU52C3V3	D2
1	HEADER_2X5(POLARIZED)	FCI Electronics	52601-S10-8	uWire
1	Green LED	Lumex	SML-LX2832GC-TR	D1
5	SMA	Johnson Components	142-0701-851	Ftest/LD, OSCin, OSCin*, RFout, Vcc
1	TCXO	Connor-Winfield	CWX813	Y1
1	LMX2541	Texas Instruments	LMX2541	U1

Table 4-1. Bill of Materials (continued)

Version	7/27/2009			
Qty	Part	Manufacturer	Part Number	Identifier
Open				
36	Open	-	Open	bC1, bC2, bC3, bC5, bC6, bC9, bC10, bC14, bC17, bC18, bR1, bR4, bR5, bR6, bR7, bR9, bR10, bR17, bR20, bR21, C1_LF, C4_LF, C9, C20, C24, R2pLF, R4_LF, R22, R24, R31, R44, R46, R47, C2pLF, C12, C26
20	Open	-	Open	bC4, bC8, bC11, C10, C25, C29, R10, R11, R12, R13, R18, R19, R20, R23, R25, R26, R28, R35, R38, R39
7	Open	-	Open	U2, U3, bU1, bY1, ExtVCOin, VccAux, P1

Schematic

5.1 Schematic

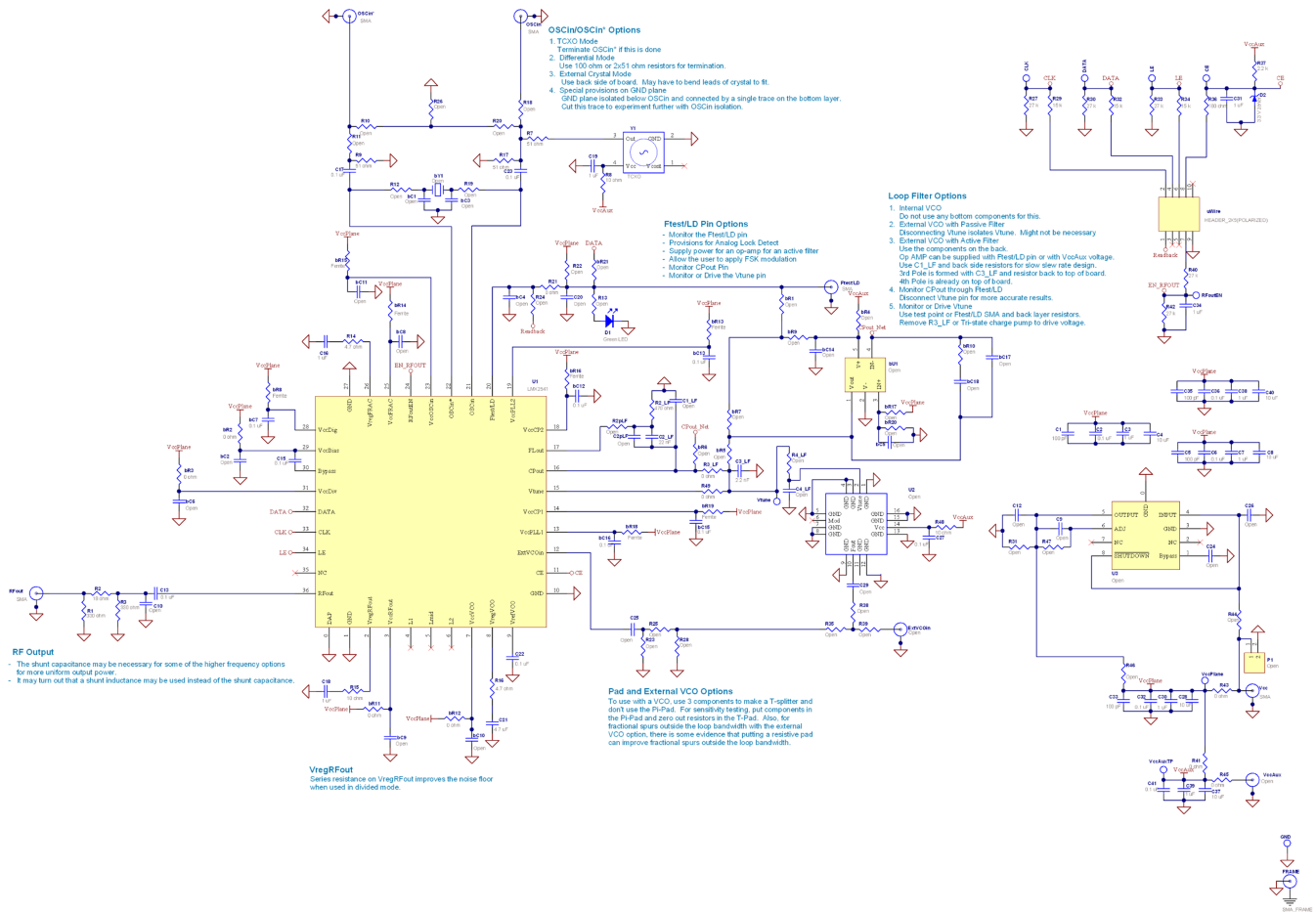


Figure 5-1. LMX2541 EVM Schematic

Assembly Drawing

6.1 Assembly Drawing

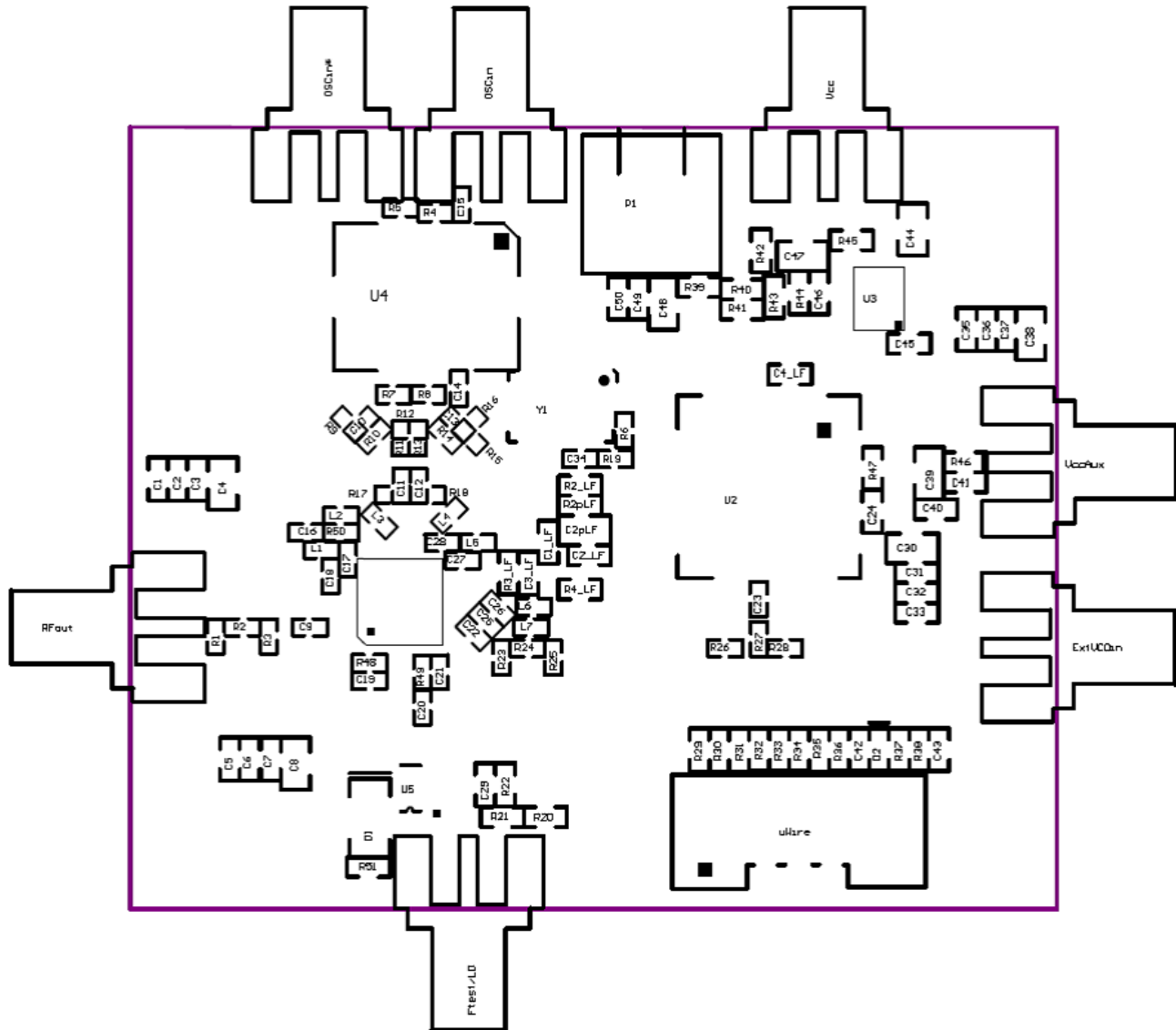


Figure 6-1. Assembly Top Drawing

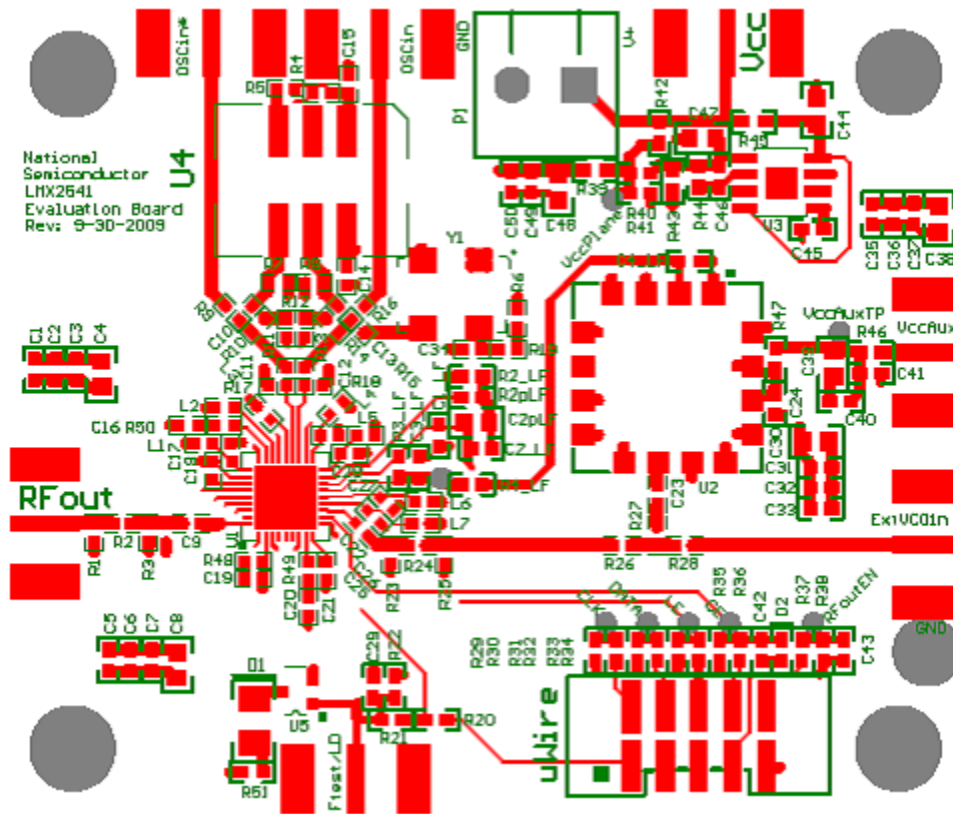


Figure 6-2. Top Layer and Silkscreen

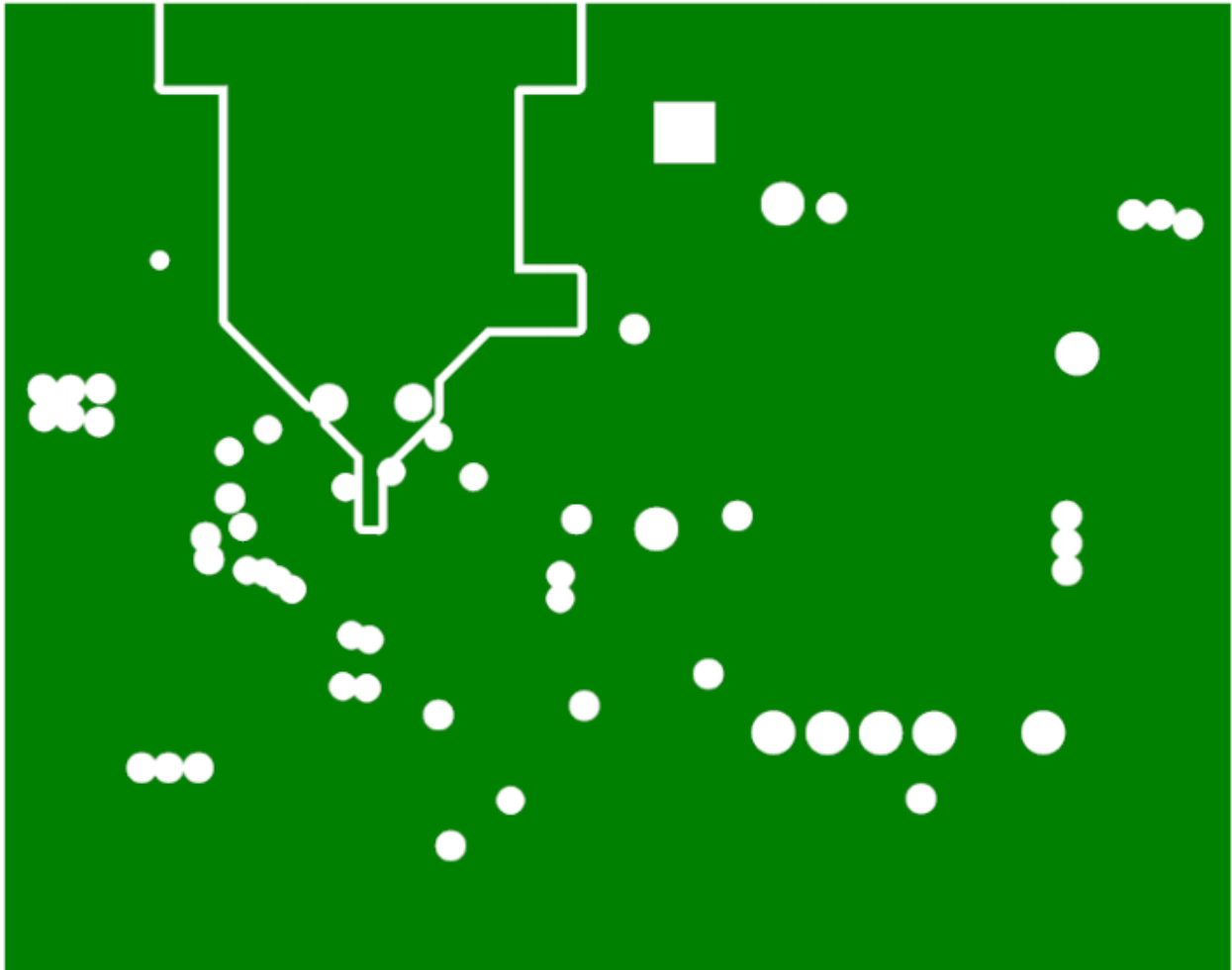


Figure 6-3. Mid Layer 1 (GND)

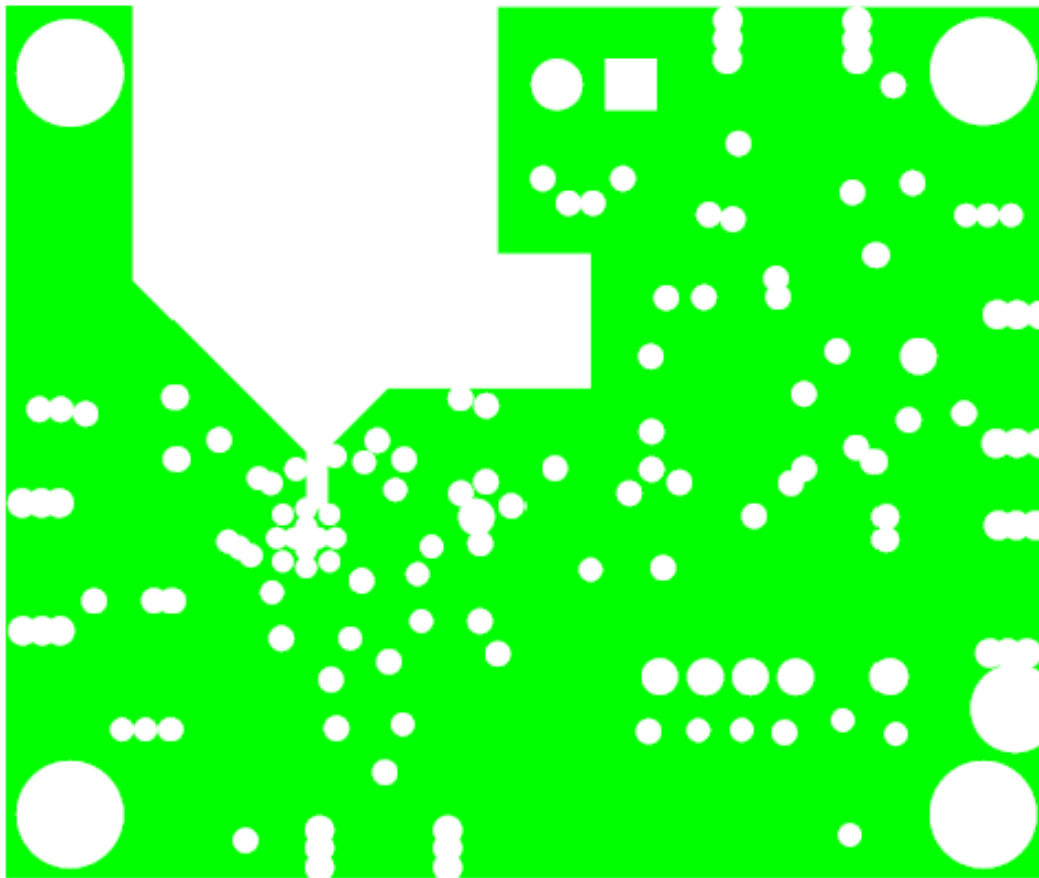


Figure 6-4. Mid Layer 2 (Vcc)

Quick Start on EVM Communication

7.0.1 Quick Start for EVM Communications

Codeloader is the software used to communicate with the EVM (Please download the latest version from TI.com - <http://www.ti.com/tool/codeloader>). This EVM can be controlled through the uWire interface on board. There are two options in communicating with the uWire interface from the computer.

Option 1

LPT (aka Parallel port)

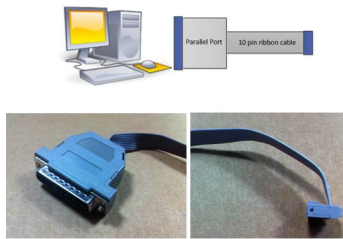


Figure 7-1. LPT Interface

Open Codeloader.exe → Click “Select Device” → Click “Port Setup” tab → Click “LPT” (in Communication Mode).

Option 2

USB2ANY-uWire

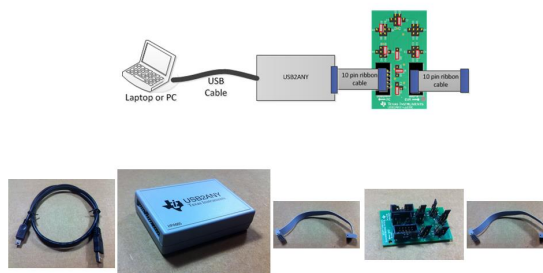


Figure 7-2. USB2ANY-uWire Adapter Board

The Adapter Board

Table 7-1 describes the pins configuration on the adapter board for each EVM board.

Table 7-1. Adapter Board Jumper Configuration

EVM	Jumper Bank								Code Loader Configuration
	A	B	C	D	E	F	G	H	
LMX2581	A4	B 1	C2		E5	F1	G1	H1	BUFEN (pin 1), Trigger (pin 7)
LMX2541	A4		C3		E4	F1	G1	H1	CE (pin 1), Trigger (pin 10)
LMK0400x	A0		C3		E5	F1	G1	H1	GOE (pin 7)
LMK01000	A0		C1		E5	F1	G1	H1	GOE (pin 7)
LMK030xx	A0		C1		E5	F1	G1	H1	SYNC (pin 7)
LMK02000	A0		C1		E5	F1	G1	H1	SYNC (pin 7)
LMK0480x	A0	B 2	C3		E5	F0	G0	H1	Status_CLKin1 (pin 3)
LMK04816/4906	A0	B 2	C3		E5	F0	G0	H1	Status_CLKin1 (pin 3)
LMK01801	A0	B 4	C5		E2	F0	G0	H1	Test (pin 3), SYNC0 (pin 10)
LMK0482x (pre-release)	A0	B 5	C3	D 2	E4	F0	G0	H1	CLKin1_SEL (pin 6), Reset (pin 10)
LMX2531	A0				E5	F2	G1	H2	Trigger (pin 1)
LMX2485/7	A0		C1		E5	F2	G1	H0	ENOSC (pin 7), CE (pin 10)
LMK03200	A0				E5	F0	G0	H1	SYNC (pin 7)
LMK03806	A0		C1		E5	F0	G0	H1	
LMK04100	A0		C1		E5	F1	G1	H1	

Example adapter configuration (LMK01801).

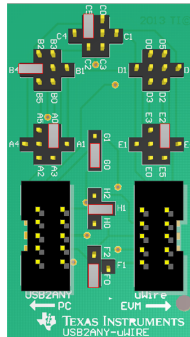


Figure 7-3. Example Adapter Board Configuration

Open CodeLoader.exe → Click “Select Device” → Click “Port Setup” Tab → Click “USB” (in Communication Mode) *Remember to also make modifications in “Pin Configuration” Section according to Table 7-1.

Revision History

NOTE: Page numbers for previous revisions may differ from page numbers in the current version.

Changes from A Revision (January 2014) to B Revision	Page
• Changed and fixed Table 2-1	6
• Changed Figures 2-5, 2-6, 2-7, 2-8, 2-9, 2-10, 2-11, 2-12, 2-13, 2-14, 2-15, 2-16	7
• Changed Schematic Image	16

STANDARD TERMS AND CONDITIONS FOR EVALUATION MODULES

1. *Delivery:* TI delivers TI evaluation boards, kits, or modules, including any accompanying demonstration software, components, or documentation (collectively, an "EVM" or "EVMs") to the User ("User") in accordance with the terms and conditions set forth herein. Acceptance of the EVM is expressly subject to the following terms and conditions.
 - 1.1 EVMs are intended solely for product or software developers for use in a research and development setting to facilitate feasibility evaluation, experimentation, or scientific analysis of TI semiconductor products. EVMs have no direct function and are not finished products. EVMs shall not be directly or indirectly assembled as a part or subassembly in any finished product. For clarification, any software or software tools provided with the EVM ("Software") shall not be subject to the terms and conditions set forth herein but rather shall be subject to the applicable terms and conditions that accompany such Software
 - 1.2 EVMs are not intended for consumer or household use. EVMs may not be sold, sublicensed, leased, rented, loaned, assigned, or otherwise distributed for commercial purposes by Users, in whole or in part, or used in any finished product or production system.
2. *Limited Warranty and Related Remedies/Disclaimers:*
 - 2.1 These terms and conditions do not apply to Software. The warranty, if any, for Software is covered in the applicable Software License Agreement.
 - 2.2 TI warrants that the TI EVM will conform to TI's published specifications for ninety (90) days after the date TI delivers such EVM to User. Notwithstanding the foregoing, TI shall not be liable for any defects that are caused by neglect, misuse or mistreatment by an entity other than TI, including improper installation or testing, or for any EVMs that have been altered or modified in any way by an entity other than TI. Moreover, TI shall not be liable for any defects that result from User's design, specifications or instructions for such EVMs. Testing and other quality control techniques are used to the extent TI deems necessary or as mandated by government requirements. TI does not test all parameters of each EVM.
 - 2.3 If any EVM fails to conform to the warranty set forth above, TI's sole liability shall be at its option to repair or replace such EVM, or credit User's account for such EVM. TI's liability under this warranty shall be limited to EVMs that are returned during the warranty period to the address designated by TI and that are determined by TI not to conform to such warranty. If TI elects to repair or replace such EVM, TI shall have a reasonable time to repair such EVM or provide replacements. Repaired EVMs shall be warranted for the remainder of the original warranty period. Replaced EVMs shall be warranted for a new full ninety (90) day warranty period.
3. *Regulatory Notices:*
 - 3.1 *United States*
 - 3.1.1 *Notice applicable to EVMs not FCC-Approved:*

This kit is designed to allow product developers to evaluate electronic components, circuitry, or software associated with the kit to determine whether to incorporate such items in a finished product and software developers to write software applications for use with the end product. This kit is not a finished product and when assembled may not be resold or otherwise marketed unless all required FCC equipment authorizations are first obtained. Operation is subject to the condition that this product not cause harmful interference to licensed radio stations and that this product accept harmful interference. Unless the assembled kit is designed to operate under part 15, part 18 or part 95 of this chapter, the operator of the kit must operate under the authority of an FCC license holder or must secure an experimental authorization under part 5 of this chapter.
 - 3.1.2 *For EVMs annotated as FCC – FEDERAL COMMUNICATIONS COMMISSION Part 15 Compliant:*

CAUTION

This device complies with part 15 of the FCC Rules. Operation is subject to the following two conditions: (1) This device may not cause harmful interference, and (2) this device must accept any interference received, including interference that may cause undesired operation.

Changes or modifications not expressly approved by the party responsible for compliance could void the user's authority to operate the equipment.

FCC Interference Statement for Class A EVM devices

NOTE: This equipment has been tested and found to comply with the limits for a Class A digital device, pursuant to part 15 of the FCC Rules. These limits are designed to provide reasonable protection against harmful interference when the equipment is operated in a commercial environment. This equipment generates, uses, and can radiate radio frequency energy and, if not installed and used in accordance with the instruction manual, may cause harmful interference to radio communications. Operation of this equipment in a residential area is likely to cause harmful interference in which case the user will be required to correct the interference at his own expense.

FCC Interference Statement for Class B EVM devices

NOTE: This equipment has been tested and found to comply with the limits for a Class B digital device, pursuant to part 15 of the FCC Rules. These limits are designed to provide reasonable protection against harmful interference in a residential installation. This equipment generates, uses and can radiate radio frequency energy and, if not installed and used in accordance with the instructions, may cause harmful interference to radio communications. However, there is no guarantee that interference will not occur in a particular installation. If this equipment does cause harmful interference to radio or television reception, which can be determined by turning the equipment off and on, the user is encouraged to try to correct the interference by one or more of the following measures:

- Reorient or relocate the receiving antenna.
- Increase the separation between the equipment and receiver.
- Connect the equipment into an outlet on a circuit different from that to which the receiver is connected.
- Consult the dealer or an experienced radio/TV technician for help.

3.2 Canada

3.2.1 For EVMs issued with an Industry Canada Certificate of Conformance to RSS-210

Concerning EVMs Including Radio Transmitters:

This device complies with Industry Canada license-exempt RSS standard(s). Operation is subject to the following two conditions: (1) this device may not cause interference, and (2) this device must accept any interference, including interference that may cause undesired operation of the device.

Concernant les EVMs avec appareils radio:

Le présent appareil est conforme aux CNR d'Industrie Canada applicables aux appareils radio exempts de licence. L'exploitation est autorisée aux deux conditions suivantes: (1) l'appareil ne doit pas produire de brouillage, et (2) l'utilisateur de l'appareil doit accepter tout brouillage radioélectrique subi, même si le brouillage est susceptible d'en compromettre le fonctionnement.

Concerning EVMs Including Detachable Antennas:

Under Industry Canada regulations, this radio transmitter may only operate using an antenna of a type and maximum (or lesser) gain approved for the transmitter by Industry Canada. To reduce potential radio interference to other users, the antenna type and its gain should be so chosen that the equivalent isotropically radiated power (e.i.r.p.) is not more than that necessary for successful communication. This radio transmitter has been approved by Industry Canada to operate with the antenna types listed in the user guide with the maximum permissible gain and required antenna impedance for each antenna type indicated. Antenna types not included in this list, having a gain greater than the maximum gain indicated for that type, are strictly prohibited for use with this device.

Concernant les EVMs avec antennes détachables

Conformément à la réglementation d'Industrie Canada, le présent émetteur radio peut fonctionner avec une antenne d'un type et d'un gain maximal (ou inférieur) approuvé pour l'émetteur par Industrie Canada. Dans le but de réduire les risques de brouillage radioélectrique à l'intention des autres utilisateurs, il faut choisir le type d'antenne et son gain de sorte que la puissance isotrope rayonnée équivalente (p.i.r.e.) ne dépasse pas l'intensité nécessaire à l'établissement d'une communication satisfaisante. Le présent émetteur radio a été approuvé par Industrie Canada pour fonctionner avec les types d'antenne énumérés dans le manuel d'usage et ayant un gain admissible maximal et l'impédance requise pour chaque type d'antenne. Les types d'antenne non inclus dans cette liste, ou dont le gain est supérieur au gain maximal indiqué, sont strictement interdits pour l'exploitation de l'émetteur.

3.3 Japan

3.3.1 *Notice for EVMs delivered in Japan:* Please see http://www.tij.co.jp/lstds/ti_ja/general/eStore/notice_01.page 日本国内に輸入される評価用キット、ボードについては、次のところをご覧ください。
http://www.tij.co.jp/lstds/ti_ja/general/eStore/notice_01.page

3.3.2 *Notice for Users of EVMs Considered "Radio Frequency Products" in Japan:* EVMs entering Japan may not be certified by TI as conforming to Technical Regulations of Radio Law of Japan.

If User uses EVMs in Japan, not certified to Technical Regulations of Radio Law of Japan, User is required by Radio Law of Japan to follow the instructions below with respect to EVMs:

1. Use EVMs in a shielded room or any other test facility as defined in the notification #173 issued by Ministry of Internal Affairs and Communications on March 28, 2006, based on Sub-section 1.1 of Article 6 of the Ministry's Rule for Enforcement of Radio Law of Japan,
2. Use EVMs only after User obtains the license of Test Radio Station as provided in Radio Law of Japan with respect to EVMs, or
3. Use of EVMs only after User obtains the Technical Regulations Conformity Certification as provided in Radio Law of Japan with respect to EVMs. Also, do not transfer EVMs, unless User gives the same notice above to the transferee. Please note that if User does not follow the instructions above, User will be subject to penalties of Radio Law of Japan.

【無線電波を送信する製品の開発キットをお使いになる際の注意事項】 開発キットの中には技術基準適合証明を受けていないものがあります。技術適合証明を受けていないものご使用に際しては、電波法遵守のため、以下のいずれかの措置を取っていただく必要がありますのでご注意ください。

1. 電波法施行規則第6条第1項第1号に基づく平成18年3月28日総務省告示第173号で定められた電波暗室等の試験設備でご使用いただく。
2. 実験局の免許を取得後ご使用いただく。
3. 技術基準適合証明を取得後ご使用いただく。

なお、本製品は、上記の「ご使用にあたっての注意」を譲渡先、移転先に通知しない限り、譲渡、移転できないものとします。

上記を遵守頂けない場合は、電波法の罰則が適用される可能性があることをご留意ください。日本テキサス・インスツルメンツ株式会社
東京都新宿区西新宿 6 丁目 2 4 番 1 号
西新宿三井ビル

3.3.3 *Notice for EVMs for Power Line Communication:* Please see http://www.tij.co.jp/llds/ti_ja/general/eStore/notice_02.page
電力線搬送波通信についての開発キットをお使いになる際の注意事項については、次のところをご覧ください。http://www.tij.co.jp/llds/ti_ja/general/eStore/notice_02.page

4 *EVM Use Restrictions and Warnings:*

- 4.1 EVMS ARE NOT FOR USE IN FUNCTIONAL SAFETY AND/OR SAFETY CRITICAL EVALUATIONS, INCLUDING BUT NOT LIMITED TO EVALUATIONS OF LIFE SUPPORT APPLICATIONS.
- 4.2 User must read and apply the user guide and other available documentation provided by TI regarding the EVM prior to handling or using the EVM, including without limitation any warning or restriction notices. The notices contain important safety information related to, for example, temperatures and voltages.
- 4.3 *Safety-Related Warnings and Restrictions:*
 - 4.3.1 User shall operate the EVM within TI's recommended specifications and environmental considerations stated in the user guide, other available documentation provided by TI, and any other applicable requirements and employ reasonable and customary safeguards. Exceeding the specified performance ratings and specifications (including but not limited to input and output voltage, current, power, and environmental ranges) for the EVM may cause personal injury or death, or property damage. If there are questions concerning performance ratings and specifications, User should contact a TI field representative prior to connecting interface electronics including input power and intended loads. Any loads applied outside of the specified output range may also result in unintended and/or inaccurate operation and/or possible permanent damage to the EVM and/or interface electronics. Please consult the EVM user guide prior to connecting any load to the EVM output. If there is uncertainty as to the load specification, please contact a TI field representative. During normal operation, even with the inputs and outputs kept within the specified allowable ranges, some circuit components may have elevated case temperatures. These components include but are not limited to linear regulators, switching transistors, pass transistors, current sense resistors, and heat sinks, which can be identified using the information in the associated documentation. When working with the EVM, please be aware that the EVM may become very warm.
 - 4.3.2 EVMs are intended solely for use by technically qualified, professional electronics experts who are familiar with the dangers and application risks associated with handling electrical mechanical components, systems, and subsystems. User assumes all responsibility and liability for proper and safe handling and use of the EVM by User or its employees, affiliates, contractors or designees. User assumes all responsibility and liability to ensure that any interfaces (electronic and/or mechanical) between the EVM and any human body are designed with suitable isolation and means to safely limit accessible leakage currents to minimize the risk of electrical shock hazard. User assumes all responsibility and liability for any improper or unsafe handling or use of the EVM by User or its employees, affiliates, contractors or designees.
- 4.4 User assumes all responsibility and liability to determine whether the EVM is subject to any applicable international, federal, state, or local laws and regulations related to User's handling and use of the EVM and, if applicable, User assumes all responsibility and liability for compliance in all respects with such laws and regulations. User assumes all responsibility and liability for proper disposal and recycling of the EVM consistent with all applicable international, federal, state, and local requirements.

5. *Accuracy of Information:* To the extent TI provides information on the availability and function of EVMs, TI attempts to be as accurate as possible. However, TI does not warrant the accuracy of EVM descriptions, EVM availability or other information on its websites as accurate, complete, reliable, current, or error-free.

6. *Disclaimers:*

6.1 EXCEPT AS SET FORTH ABOVE, EVMS AND ANY WRITTEN DESIGN MATERIALS PROVIDED WITH THE EVM (AND THE DESIGN OF THE EVM ITSELF) ARE PROVIDED "AS IS" AND "WITH ALL FAULTS." TI DISCLAIMS ALL OTHER WARRANTIES, EXPRESS OR IMPLIED, REGARDING SUCH ITEMS, INCLUDING BUT NOT LIMITED TO ANY IMPLIED WARRANTIES OF MERCHANTABILITY OR FITNESS FOR A PARTICULAR PURPOSE OR NON-INFRINGEMENT OF ANY THIRD PARTY PATENTS, COPYRIGHTS, TRADE SECRETS OR OTHER INTELLECTUAL PROPERTY RIGHTS.

6.2 EXCEPT FOR THE LIMITED RIGHT TO USE THE EVM SET FORTH HEREIN, NOTHING IN THESE TERMS AND CONDITIONS SHALL BE CONSTRUED AS GRANTING OR CONFERRING ANY RIGHTS BY LICENSE, PATENT, OR ANY OTHER INDUSTRIAL OR INTELLECTUAL PROPERTY RIGHT OF TI, ITS SUPPLIERS/LICENSORS OR ANY OTHER THIRD PARTY, TO USE THE EVM IN ANY FINISHED END-USER OR READY-TO-USE FINAL PRODUCT, OR FOR ANY INVENTION, DISCOVERY OR IMPROVEMENT MADE, CONCEIVED OR ACQUIRED PRIOR TO OR AFTER DELIVERY OF THE EVM.

7. *USER'S INDEMNITY OBLIGATIONS AND REPRESENTATIONS.* USER WILL DEFEND, INDEMNIFY AND HOLD TI, ITS LICENSORS AND THEIR REPRESENTATIVES HARMLESS FROM AND AGAINST ANY AND ALL CLAIMS, DAMAGES, LOSSES, EXPENSES, COSTS AND LIABILITIES (COLLECTIVELY, "CLAIMS") ARISING OUT OF OR IN CONNECTION WITH ANY HANDLING OR USE OF THE EVM THAT IS NOT IN ACCORDANCE WITH THESE TERMS AND CONDITIONS. THIS OBLIGATION SHALL APPLY WHETHER CLAIMS ARISE UNDER STATUTE, REGULATION, OR THE LAW OF TORT, CONTRACT OR ANY OTHER LEGAL THEORY, AND EVEN IF THE EVM FAILS TO PERFORM AS DESCRIBED OR EXPECTED.

8. *Limitations on Damages and Liability:*

8.1 *General Limitations.* IN NO EVENT SHALL TI BE LIABLE FOR ANY SPECIAL, COLLATERAL, INDIRECT, PUNITIVE, INCIDENTAL, CONSEQUENTIAL, OR EXEMPLARY DAMAGES IN CONNECTION WITH OR ARISING OUT OF THESE TERMS AND CONDITIONS OR THE USE OF THE EVMS PROVIDED HEREUNDER, REGARDLESS OF WHETHER TI HAS BEEN ADVISED OF THE POSSIBILITY OF SUCH DAMAGES. EXCLUDED DAMAGES INCLUDE, BUT ARE NOT LIMITED TO, COST OF REMOVAL OR REINSTALLATION, ANCILLARY COSTS TO THE PROCUREMENT OF SUBSTITUTE GOODS OR SERVICES, RETESTING, OUTSIDE COMPUTER TIME, LABOR COSTS, LOSS OF GOODWILL, LOSS OF PROFITS, LOSS OF SAVINGS, LOSS OF USE, LOSS OF DATA, OR BUSINESS INTERRUPTION. NO CLAIM, SUIT OR ACTION SHALL BE BROUGHT AGAINST TI MORE THAN ONE YEAR AFTER THE RELATED CAUSE OF ACTION HAS OCCURRED.

8.2 *Specific Limitations.* IN NO EVENT SHALL TI'S AGGREGATE LIABILITY FROM ANY WARRANTY OR OTHER OBLIGATION ARISING OUT OF OR IN CONNECTION WITH THESE TERMS AND CONDITIONS, OR ANY USE OF ANY TI EVM PROVIDED HEREUNDER, EXCEED THE TOTAL AMOUNT PAID TO TI FOR THE PARTICULAR UNITS SOLD UNDER THESE TERMS AND CONDITIONS WITH RESPECT TO WHICH LOSSES OR DAMAGES ARE CLAIMED. THE EXISTENCE OF MORE THAN ONE CLAIM AGAINST THE PARTICULAR UNITS SOLD TO USER UNDER THESE TERMS AND CONDITIONS SHALL NOT ENLARGE OR EXTEND THIS LIMIT.

9. *Return Policy.* Except as otherwise provided, TI does not offer any refunds, returns, or exchanges. Furthermore, no return of EVM(s) will be accepted if the package has been opened and no return of the EVM(s) will be accepted if they are damaged or otherwise not in a resalable condition. If User feels it has been incorrectly charged for the EVM(s) it ordered or that delivery violates the applicable order, User should contact TI. All refunds will be made in full within thirty (30) working days from the return of the components(s), excluding any postage or packaging costs.

10. *Governing Law:* These terms and conditions shall be governed by and interpreted in accordance with the laws of the State of Texas, without reference to conflict-of-laws principles. User agrees that non-exclusive jurisdiction for any dispute arising out of or relating to these terms and conditions lies within courts located in the State of Texas and consents to venue in Dallas County, Texas. Notwithstanding the foregoing, any judgment may be enforced in any United States or foreign court, and TI may seek injunctive relief in any United States or foreign court.

IMPORTANT NOTICE

Texas Instruments Incorporated and its subsidiaries (TI) reserve the right to make corrections, enhancements, improvements and other changes to its semiconductor products and services per JESD46, latest issue, and to discontinue any product or service per JESD48, latest issue. Buyers should obtain the latest relevant information before placing orders and should verify that such information is current and complete. All semiconductor products (also referred to herein as "components") are sold subject to TI's terms and conditions of sale supplied at the time of order acknowledgment.

TI warrants performance of its components to the specifications applicable at the time of sale, in accordance with the warranty in TI's terms and conditions of sale of semiconductor products. Testing and other quality control techniques are used to the extent TI deems necessary to support this warranty. Except where mandated by applicable law, testing of all parameters of each component is not necessarily performed.

TI assumes no liability for applications assistance or the design of Buyers' products. Buyers are responsible for their products and applications using TI components. To minimize the risks associated with Buyers' products and applications, Buyers should provide adequate design and operating safeguards.

TI does not warrant or represent that any license, either express or implied, is granted under any patent right, copyright, mask work right, or other intellectual property right relating to any combination, machine, or process in which TI components or services are used. Information published by TI regarding third-party products or services does not constitute a license to use such products or services or a warranty or endorsement thereof. Use of such information may require a license from a third party under the patents or other intellectual property of the third party, or a license from TI under the patents or other intellectual property of TI.

Reproduction of significant portions of TI information in TI data books or data sheets is permissible only if reproduction is without alteration and is accompanied by all associated warranties, conditions, limitations, and notices. TI is not responsible or liable for such altered documentation. Information of third parties may be subject to additional restrictions.

Resale of TI components or services with statements different from or beyond the parameters stated by TI for that component or service voids all express and any implied warranties for the associated TI component or service and is an unfair and deceptive business practice. TI is not responsible or liable for any such statements.

Buyer acknowledges and agrees that it is solely responsible for compliance with all legal, regulatory and safety-related requirements concerning its products, and any use of TI components in its applications, notwithstanding any applications-related information or support that may be provided by TI. Buyer represents and agrees that it has all the necessary expertise to create and implement safeguards which anticipate dangerous consequences of failures, monitor failures and their consequences, lessen the likelihood of failures that might cause harm and take appropriate remedial actions. Buyer will fully indemnify TI and its representatives against any damages arising out of the use of any TI components in safety-critical applications.

In some cases, TI components may be promoted specifically to facilitate safety-related applications. With such components, TI's goal is to help enable customers to design and create their own end-product solutions that meet applicable functional safety standards and requirements. Nonetheless, such components are subject to these terms.

No TI components are authorized for use in FDA Class III (or similar life-critical medical equipment) unless authorized officers of the parties have executed a special agreement specifically governing such use.

Only those TI components which TI has specifically designated as military grade or "enhanced plastic" are designed and intended for use in military/aerospace applications or environments. Buyer acknowledges and agrees that any military or aerospace use of TI components which have **not** been so designated is solely at the Buyer's risk, and that Buyer is solely responsible for compliance with all legal and regulatory requirements in connection with such use.

TI has specifically designated certain components as meeting ISO/TS16949 requirements, mainly for automotive use. In any case of use of non-designated products, TI will not be responsible for any failure to meet ISO/TS16949.

Products

Audio	www.ti.com/audio
Amplifiers	amplifier.ti.com
Data Converters	dataconverter.ti.com
DLP® Products	www.dlp.com
DSP	dsp.ti.com
Clocks and Timers	www.ti.com/clocks
Interface	interface.ti.com
Logic	logic.ti.com
Power Mgmt	power.ti.com
Microcontrollers	microcontroller.ti.com
RFID	www.ti-rfid.com
OMAP Applications Processors	www.ti.com/omap
Wireless Connectivity	www.ti.com/wirelessconnectivity

Applications

Automotive and Transportation	www.ti.com/automotive
Communications and Telecom	www.ti.com/communications
Computers and Peripherals	www.ti.com/computers
Consumer Electronics	www.ti.com/consumer-apps
Energy and Lighting	www.ti.com/energy
Industrial	www.ti.com/industrial
Medical	www.ti.com/medical
Security	www.ti.com/security
Space, Avionics and Defense	www.ti.com/space-avionics-defense
Video and Imaging	www.ti.com/video

TI E2E Community

e2e.ti.com

Looking for pricing, stock, or lifecycle information?

Click below to explore more details on WIN SOURCE:

- ⊖ [View LMX25413320EVAL/NOPB on WIN SOURCE](#)
- ⊖ [Texas Instruments](#) Information

Optimize Your Supply Chain with WIN SOURCE Solutions

- ✓ Global Sourcing Solution
- ✓ Obsolete Management
- ✓ Cost Control Management
- ✓ Shortage Management
- ✓ Alternative Solution
- ✓ Excess Inventory Management