



THE DATASHEET OF
490450011



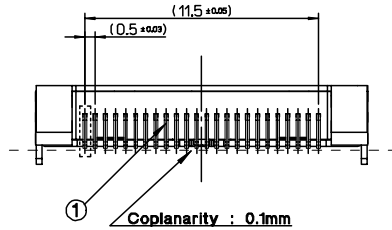
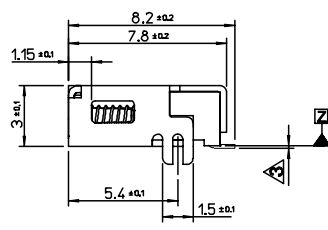
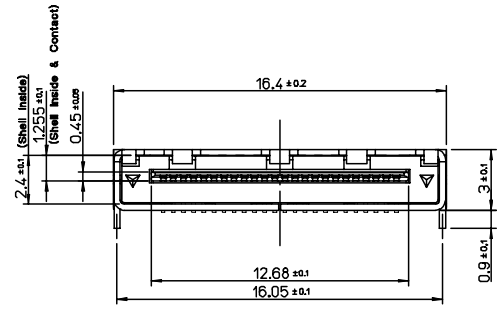
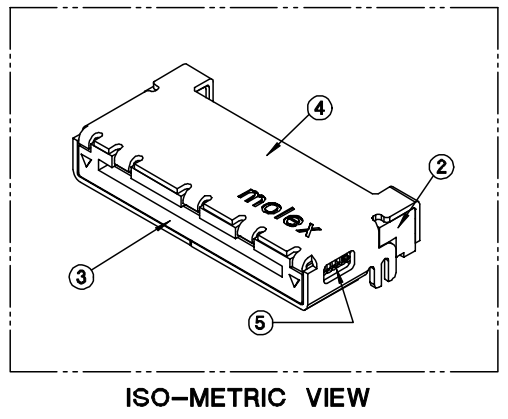
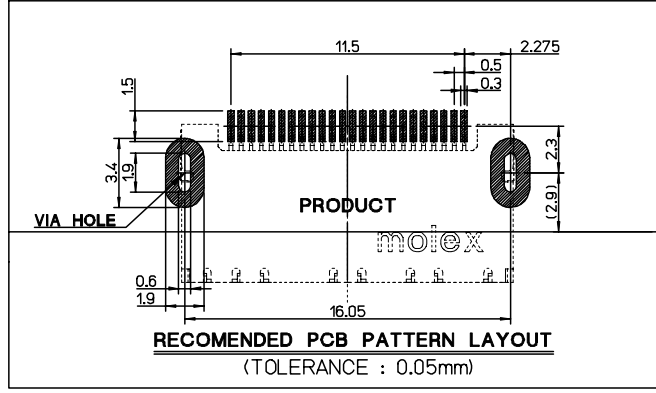
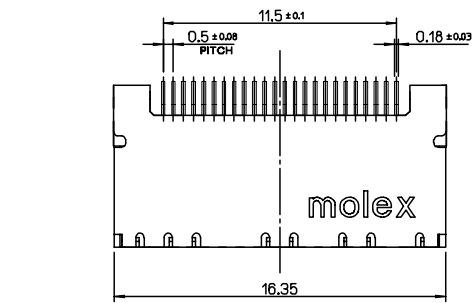
DWG. NO. SD-49045-001

SIMILAR ITEM

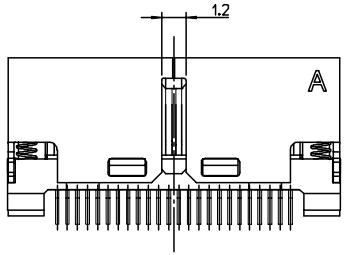
PROJECT NO.

B

DO NOT SCALE DRAWING DIMENSION IN METRIC



Coplanarity : 0.1mm



NOTES

1. MATERIALS: SEE TABLE 2
2. FINISHES: SEE TABLE 2
3. ALIGNMENT OF SOLDER TAILS FROM Z: UPPER DIRECTION 0.05 MAX. LOWER DIRECTION 0.1 MAX.
4. COPLANARITY OF SOLDER TAILS : 0.1mm MAX.
5. PRODUCT SPECIFICATION : PS-49045-001
6. PACKAGING SPECIFICATION : PK-49045-001

TABLE 1

SILVER	490450016	49045-0016
BLACK	490450011	49045-0011
COLOR	MATERIAL NO.	ENGINEERING NO.

TABLE 2

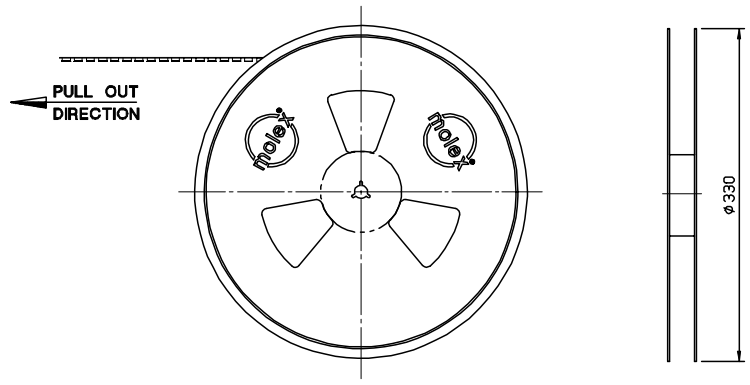
⑤	SPRING	STAINLESS STEEL	NONE
④	METAL SHELL	STAINLESS STEEL	NICKEL
③	SHUTTER	POLY AMIDE UL94V-0	BLACK / NATURAL
②	HOUSING	POLY AMIDE UL94V-0	BLACK COLOR
①	CONTACT TERMINAL	COPPER ALLOY	SELECTIVE GOLD
NO.	DESCRIPTION	MATERIAL	FINISH

REVISED ECN NO. KOR2007-0007 DRWN: E.S.JUNG 06/07/24 CHK: S.H.JOO APPR: S.J.SEH	DESCRIPTION MAJOR CRITICAL C	QUALITY SYMBOLS	GENERAL TOLERANCES: (UNLESS SPECIFIED)		SCALE 4 : 1	DESIGN UNITS <input checked="" type="checkbox"/> mm <input type="checkbox"/> INCH	THIRD ANGLE PROJECTION <input type="checkbox"/> mm <input type="checkbox"/> INCH <input checked="" type="checkbox"/> mm ONLY	SHT REV	REVISE ON CAD ONLY
			4 PLACES ±0	3 PLACES ±0.1	2 PLACES ±0.1	1 PLACE ±0.2			
C	REV	DESCRIPTION	DRAFT WHERE APPLICABLE MUST REMAIN WITHIN DIMENSIONS		THIS DRAWING CONTAINS INFORMATION THAT IS PROPRIETARY TO MOLEX INCORPORATED AND SHOULD NOT BE USED WITHOUT WRITTEN PERMISSION.		TITLE: 0.5 SHUTTER I/O CONN. 24P RECEPTACLE (WITHOUT BATTERY)		SHEET NO. 1 OF 2
			MOLEX MOLEX INCORPORATED		MATERIAL NO. SEE TABLE 1	DRAWING NO. SD-49045-001	KOREA		

DWG. NO. SD-49045-001
 SIMILAR ITEM
 PROJECT NO.
 DO NOT SCALE DRAWING DIMENSION IN METRIC

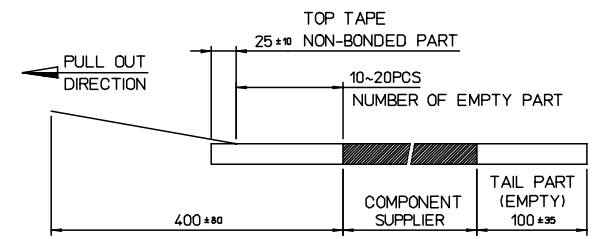
8 7 6 5 4 3 2 1

F
 E
 D
 C
 B
 A

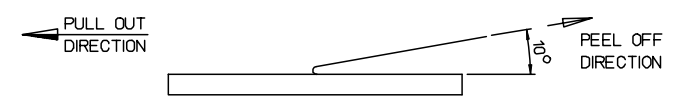


NOTES

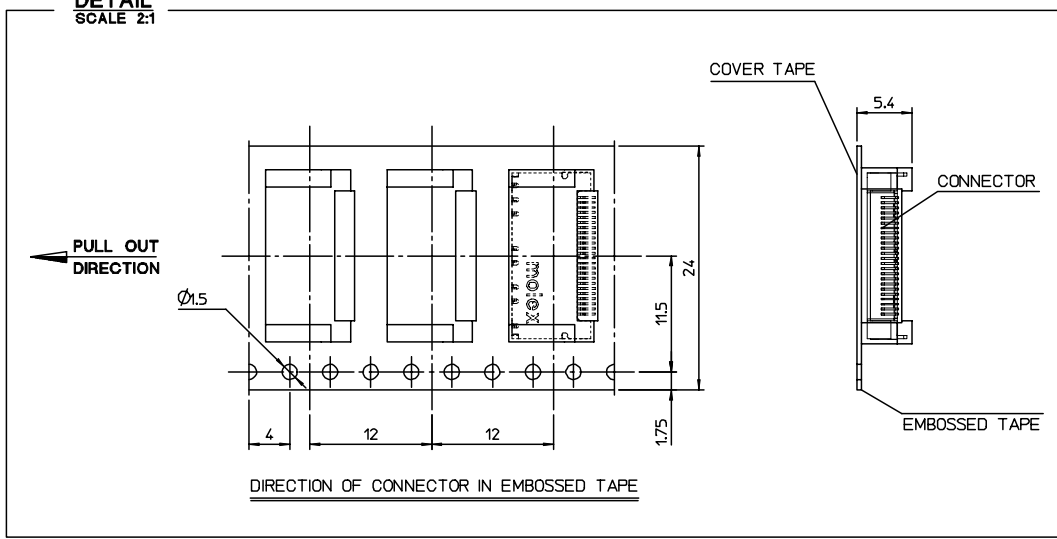
1. QUANTITY OF CONNECTORS : 1,000PCS/REEL
2. LEAD LENGTH



3. PEELING OFF FORCE OF COVER TAPE : 0.1N ±0.59N(10.2±60GF)
 (PEELING DIRECTION AS SHOW IN FOLLOW FIG.)
 - PEELING OFF SPEED : 300mm/Min.(Ref.)



DETAIL SCALE 2:1



RELEASE ECN NO. KOR2008-0074 DRWN: ES.JUNG 05/12/21 CHK: SHJOO APPR: SJ.SEH	DESCRIPTION A1	QUALITY SYMBOLS MAJOR = CRITICAL =	GENERAL TOLERANCES: (UNLESS SPECIFIED)		SCALE 4 : 1	DESIGN UNITS <input checked="" type="checkbox"/> mm <input type="checkbox"/> INCH	THIRD ANGLE PROJECTION <input checked="" type="checkbox"/> THIRD ANGLE <input type="checkbox"/> FIRST ANGLE	DIMENSIONS: <input type="checkbox"/> mm <input type="checkbox"/> INCH <input checked="" type="checkbox"/> mm ONLY	SHT REV	
			4 PLACES ±0 ±- 3 PLACES ±0 ±- 2 PLACES ±0.1 ±- 1 PLACE ±0.2 ±-	ANGULAR: ± 3 °	DRAWN BY & DATE ES.JUNG 05/12/21	TITLE: 0.5 SHUTTER I/O CONN. 24P RECEPTACLE (WITHOUT BATTERY)		APPROVED BY & DATE SJ.SEH	CAD FILENAME SD49045001.MI	MATERIAL NO. SEE TABLE 1
DRAFT WHERE APPLICABLE MUST REMAIN WITHIN DIMENSIONS			THIS DRAWING CONTAINS INFORMATION THAT IS PROPRIETARY TO MOLEX INCORPORATED AND SHOULD NOT BE USED WITHOUT WRITTEN PERMISSION.						KOREA	MX-A3

8 7 6 5 4 3 2 1

Looking for pricing, stock, or lifecycle information?

Click below to explore more details on WIN SOURCE:

 [View 490450011 on WIN SOURCE](#)

 [Molex, LLC Information](#)

Optimize Your Supply Chain with WIN SOURCE Solutions

-  Global Sourcing Solution
-  Obsolete Management
-  Cost Control Management
-  Shortage Management
-  Alternative Solution
-  Excess Inventory Management