



**THE DATASHEET OF
LE87281NQCT**



Le87281

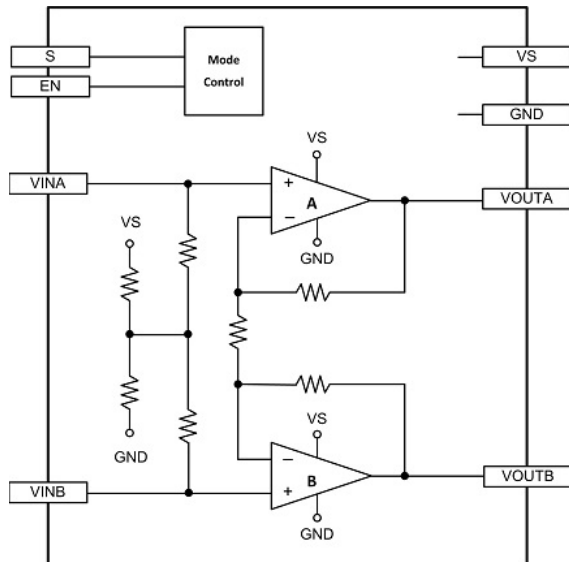
G.Fast Single Channel Line Driver

The Le87281 is a single channel differential amplifier designed to drive G.Fast transmission signals as well as VDSL2 and ADSL2+ signals with very low power dissipation. The Le87281 contains a pair of wideband amplifiers designed with Microsemi's HV15 Bipolar SOI process for low power consumption.

The line driver gain is fixed internally. The amplifiers are powered from a single supply.

The device can be programmed to one-of-three preset Bias levels or to impedance controlled Disable or Standby states. The control pins respond to input levels that can be generated with a standard tri-state GPIO.

Simplified Block Diagram



Features & Benefits

- Supports high frequency G.Fast transmission
- Supports VDSL2 and ADSL2+ operation
- Very low power dissipation
 - Class AB operation
- 5 programmable states
- No external gain resistors required
- Small footprint package
 - 16-pin (4 mm x 4 mm) QFN
- RoHS compliant

Looking for pricing, stock, or lifecycle information?

Click below to explore more details on WIN SOURCE:

 [View LE87281NQCT](#) on WIN SOURCE

 [Microchip Technology](#) Information

Optimize Your Supply Chain with WIN SOURCE Solutions

-  Global Sourcing Solution
-  Obsolete Management
-  Cost Control Management
-  Shortage Management
-  Alternative Solution
-  Excess Inventory Management