



**THE DATASHEET OF
LE79271AMQC**





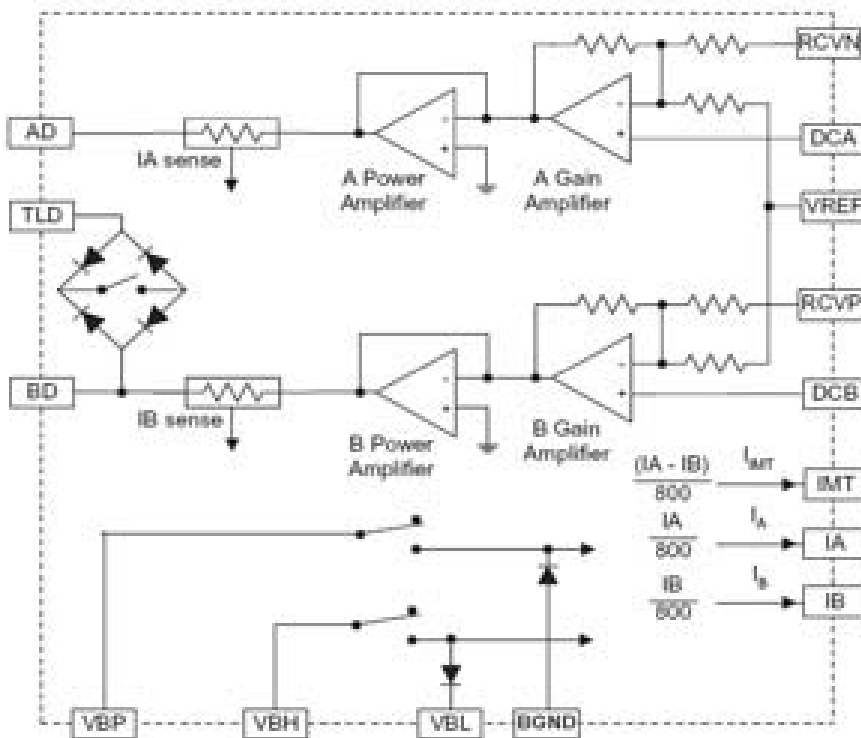
a  MICROCHIP company

LE79271

Next Generation Carrier Chipset (NGCC) Subscriber Line Interface Circuit (SLIC)

The Le79271 Next Generation Subscriber Line Interface Circuit (SLIC) device, in combination with an Le79238 SLAC device, implements a DSL friendly, high density universal telephone line interface. This enables the design of a low cost, high performance, fully software programmable line interface with worldwide applicability. All AC, DC, and signaling parameters are programmable. Additionally, the NGCC has integrated self-test and line-test capabilities to resolve faults to the line or line circuit.

Detailed Block Diagram



Features & Benefits

- Designed to minimize POTS transients, optimizing CRC performance for triple play applications
- Best-in-class GR-844 equivalent testing
 - Fully validated test primitives and host routines
 - Guaranteed performance parameters
- Optimized for best-in-class density
- Monitor of two-wire interface voltages and currents supports:
 - Voice transmission
 - Internal ringing generation
 - Programmable DC feed characteristic
 - Current limited and independent of battery
 - Selectable off-hook and ground-key thresholds
 - Subscriber line diagnostics
 - Leakage and loop resistance
 - Line capacitance and bell capacitance
 - Foreign voltage sensing
 - Power cross and fault detection
- Supports 85 Vrms internal ringing
 - Supports balanced and unbalanced ringing
- 3.3 V and battery supplies
 - Supports two negative and one positive battery
- Dual battery operation for system power saving
 - Automatic battery switching
 - Intelligent thermal management
- Compatible with inexpensive protection networks
- Metering capable
 - 12 kHz and 16 kHz
 - Smooth polarity reversal
- Tip-open mode supports ground start signaling
- Integrated test load switch
- 5 REN with DC offset

- Features with Le79124 VCP
 - 72 channel call aggregation
 - GR-844 equivalent line testing

Looking for pricing, stock, or lifecycle information?

Click below to explore more details on WIN SOURCE:

- ⊖ [View LE79271AMQC](#) on WIN SOURCE
- ⊖ [Microchip Technology](#) Information

Optimize Your Supply Chain with WIN SOURCE Solutions

- ✓ Global Sourcing Solution
- ✓ Obsolete Management
- ✓ Cost Control Management
- ✓ Shortage Management
- ✓ Alternative Solution
- ✓ Excess Inventory Management