



**THE DATASHEET OF
LCD2/0-38DH-X**





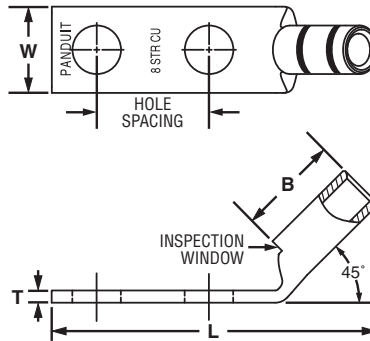
Code Conductor, Two-Hole, Standard Barrel with Window Lug, 45° Angle

For Use with Stranded Copper Conductors

Type LCD-H

- Color-coded barrels marked with Panduit and specified competitor die index numbers for proper crimp die selection
- Inspection window to visually assure full conductor insertion
- Tin-plated to inhibit corrosion
- UL Listed and CSA Certified to 35 KV** and temperature rated to 90°C when crimped with Panduit and specified competitor crimping tools and dies

- UL Listed and CSA Certified for wide wire range-taking capability when crimped with Panduit® Uni-Die™ Dieless Crimping Tools‡
- **Tested by Telcordia – meets NEBS Level 3**
- American Bureau of Shipping approved
- Available with NEMA hole sizes and spacing



| Part Number | Copper Conductor Size | Stud Hole Size (In.) | Stud Hole Spacing (In.) | Figure Dimensions (In.) | | | | Panduit Color Code | Panduit Die Index No.‡ | Burndy Die Index No.‡ | T&B Die Index No.‡ | Wire Strip Length (In.) | Std. Pkg. Qty. |
|---------------|-----------------------------|----------------------|-------------------------|-------------------------|------|------|------|--------------------|------------------------|-----------------------|--------------------|-------------------------|----------------|
| | | | | W | B | T | L | | | | | | |
| LCD10-10AH-L* | #14 – #10 | #10 | 0.63 | 0.38 | 0.38 | 0.06 | 1.59 | — | — | — | — | 7/16 | 50 |
| LCD10-14AH-L* | #12 – #10 | 1/4 | 0.63 | 0.42 | 0.38 | 0.05 | 1.67 | — | — | — | — | 7/16 | 50 |
| LCD10-38DH-L* | #12 – #10 | 3/8 | 1.00 | 0.56 | 0.38 | 0.04 | 2.28 | — | — | — | — | 7/16 | 50 |
| LCD8-10AH-L | #8 AWG | #10 | 0.63 | 0.41 | 0.56 | 0.08 | 1.73 | Red | P21 | 49 | 21 | 5/8 | 50 |
| LCD8-14AH-L | | 1/4 | 0.63 | 0.48 | 0.56 | 0.07 | 1.81 | Red | P21 | 49 | 21 | 5/8 | 50 |
| LCD8-14BH-L | | 1/4 | 0.75 | 0.48 | 0.56 | 0.07 | 1.94 | Red | P21 | 49 | 21 | 5/8 | 50 |
| LCD8-14DH-L | | 1/4 | 1.00 | 0.48 | 0.56 | 0.07 | 2.19 | Red | P21 | 49 | 21 | 5/8 | 50 |
| LCD8-38DH-L | | 3/8 | 1.00 | 0.63 | 0.56 | 0.05 | 2.40 | Red | P21 | 49 | 21 | 5/8 | 50 |
| LCD6-10AH-L | #6 AWG | #10 | 0.63 | 0.46 | 0.81 | 0.08 | 1.92 | Blue | P24 | 7 | 24 | 7/8 | 50 |
| LCD6-10BH-L | | #10 | 0.75 | 0.46 | 0.81 | 0.08 | 2.04 | Blue | P24 | 7 | 24 | 7/8 | 50 |
| LCD6-10DH-L | | #10 | 1.00 | 0.46 | 0.81 | 0.08 | 2.29 | Blue | P24 | 7 | 24 | 7/8 | 50 |
| LCD6-14AH-L | | 1/4 | 0.63 | 0.48 | 0.81 | 0.08 | 2.00 | Blue | P24 | 7 | 24 | 7/8 | 50 |
| LCD6-14BH-L | | 1/4 | 0.75 | 0.48 | 0.81 | 0.08 | 2.13 | Blue | P24 | 7 | 24 | 7/8 | 50 |
| LCD6-14DH-L | | 1/4 | 1.00 | 0.48 | 0.81 | 0.08 | 2.38 | Blue | P24 | 7 | 24 | 7/8 | 50 |
| LCD6-56DH-L | | 5/16 | 1.00 | 0.56 | 0.81 | 0.07 | 2.49 | Blue | P24 | 7 | 24 | 7/8 | 50 |
| LCD6-38DH-L | | 3/8 | 1.00 | 0.62 | 0.81 | 0.06 | 2.59 | Blue | P24 | 7 | 24 | 7/8 | 50 |
| LCD4-10AH-L | #4 – #3 AWG STR, #2 AWG SOL | #10 | 0.63 | 0.55 | 0.81 | 0.09 | 1.94 | Gray | P29 | 8 | 29 | 7/8 | 50 |
| LCD4-10BH-L | | #10 | 0.75 | 0.55 | 0.81 | 0.09 | 2.06 | Gray | P29 | 8 | 29 | 7/8 | 50 |
| LCD4-14AH-L | | 1/4 | 0.63 | 0.55 | 0.81 | 0.09 | 2.03 | Gray | P29 | 8 | 29 | 7/8 | 50 |
| LCD4-14BH-L | | 1/4 | 0.75 | 0.55 | 0.81 | 0.09 | 2.15 | Gray | P29 | 8 | 29 | 7/8 | 50 |
| LCD4-14DH-L | | 1/4 | 1.00 | 0.55 | 0.81 | 0.09 | 2.40 | Gray | P29 | 8 | 29 | 7/8 | 50 |
| LCD4-38DH-L | | 3/8 | 1.00 | 0.62 | 0.81 | 0.08 | 2.62 | Gray | P29 | 8 | 29 | 7/8 | 50 |

‡See pages D3.58 – D3.61 for tool and die information.

*Not tested to NEBS Level 3 requirements.

**Consult cable manufacturer for voltage stress relief instructions with applications greater than 2000 V.

◆NEMA hole sizes and spacing.

Table continues on page D2.34

A. System Overview

B1. Cable Ties

B2. Cable Accessories

B3. Stainless Steel Ties

C1. Wiring Duct

C2. Surface Raceway

C3. Abrasion Protection

C4. Cable Management

D1. Terminals

D2. Power Connectors

D3. Grounding Connectors

E1. Labeling Systems

E2. Labels

E3. Pre-Printed & Write-On Markers

E4. Permanent Identification

E5. Lockout/Tagout & Safety Solutions

F. Index

PANDUIT® ELECTRICAL SOLUTIONS



Code Conductor, Two-Hole, Standard Barrel with Window Lug, 45° Angle (continued)

| Part Number | Copper Conductor Size | Stud Hole Size (In.) | Stud Hole Spacing (In.) | Figure Dimensions (In.) | | | | Panduit Color Code | Panduit Die Index No.‡ | Burndy Die Index No.‡ | T&B Die Index No.‡ | Wire Strip Length (In.) | Std. Pkg. Qty. |
|---------------|-----------------------|----------------------|-------------------------|-------------------------|------|------|------|--------------------|------------------------|-----------------------|--------------------|-------------------------|----------------|
| | | | | W | B | T | L | | | | | | |
| LCD2-14AH-Q | #2 AWG | 1/4 | 0.63 | 0.60 | 0.88 | 0.10 | 2.11 | Brown | P33 | 10 | 33 | 15/16 | 25 |
| LCD2-14BH-Q | | 1/4 | 0.75 | 0.60 | 0.88 | 0.10 | 2.24 | Brown | P33 | 10 | 33 | 15/16 | 25 |
| LCD2-14DH-Q | | 1/4 | 1.00 | 0.60 | 0.88 | 0.10 | 2.49 | Brown | P33 | 10 | 33 | 15/16 | 25 |
| LCD2-56BH-Q | | 5/16 | 0.75 | 0.66 | 0.88 | 0.10 | 2.36 | Brown | P33 | 10 | 33 | 15/16 | 25 |
| LCD2-38DH-Q | | 3/8 | 1.00 | 0.66 | 0.88 | 0.10 | 2.71 | Brown | P33 | 10 | 33 | 15/16 | 25 |
| LCD2-12H-Q | | 1/2 | 1.75 | 0.75 | 0.88 | 0.08 | 3.84 | Brown | P33 | 10 | 33 | 15/16 | 25 |
| LCD1-14AH-E | #1 AWG | 1/4 | 0.63 | 0.70 | 0.88 | 0.11 | 2.12 | Green | P37 | 11 | 37 | 15/16 | 20 |
| LCD1-14BH-E | | 1/4 | 0.75 | 0.70 | 0.88 | 0.11 | 2.25 | Green | P37 | 11 | 37 | 15/16 | 20 |
| LCD1-56CH-E | | 5/16 | 0.88 | 0.70 | 0.88 | 0.11 | 2.50 | Green | P37 | 11 | 37 | 15/16 | 20 |
| LCD1-38DH-E | | 3/8 | 1.00 | 0.70 | 0.88 | 0.11 | 2.70 | Green | P37 | 11 | 37 | 15/16 | 20 |
| LCD1-12H-E | 1/0 AWG | 1/2 | 1.75 | 0.75 | 0.88 | 0.09 | 3.87 | Green | P37 | 11 | 37 | 15/16 | 20 |
| LCD1/0-14AH-X | | 1/4 | 0.63 | 0.76 | 0.94 | 0.12 | 2.26 | Pink | P42 | 12 | 42 | 1 | 10 |
| LCD1/0-14BH-X | | 1/4 | 0.75 | 0.76 | 0.94 | 0.12 | 2.38 | Pink | P42 | 12 | 42 | 1 | 10 |
| LCD1/0-56CH-X | | 5/16 | 0.88 | 0.76 | 0.94 | 0.12 | 2.56 | Pink | P42 | 12 | 42 | 1 | 10 |
| LCD1/0-38DH-X | | 3/8 | 1.00 | 0.76 | 0.94 | 0.12 | 2.76 | Pink | P42 | 12 | 42 | 1 | 10 |
| LCD1/0-12H-X | | 1/2 | 1.75 | 0.80 | 0.94 | 0.12 | 3.93 | Pink | P42 | 12 | 42 | 1 | 10 |
| LCD2/0-14AH-X | 2/0 AWG | 1/4 | 0.63 | 0.85 | 0.98 | 0.13 | 2.39 | Black | P45 | 13 | 45 | 1 1/16 | 10 |
| LCD2/0-14BH-X | | 1/4 | 0.75 | 0.85 | 0.98 | 0.13 | 2.52 | Black | P45 | 13 | 45 | 1 1/16 | 10 |
| LCD2/0-56CH-X | | 5/16 | 0.88 | 0.85 | 0.98 | 0.13 | 2.64 | Black | P45 | 13 | 45 | 1 1/16 | 10 |
| LCD2/0-38DH-X | | 3/8 | 1.00 | 0.85 | 0.98 | 0.13 | 2.83 | Black | P45 | 13 | 45 | 1 1/16 | 10 |
| LCD2/0-12H-X | 3/0 AWG | 1/2 | 1.75 | 0.85 | 0.98 | 0.13 | 3.99 | Black | P45 | 13 | 45 | 1 1/16 | 10 |
| LCD3/0-14BH-X | | 1/4 | 0.75 | 0.96 | 1.14 | 0.13 | 2.65 | Orange | P50 | 14 | 50 | 1 3/16 | 10 |
| LCD3/0-56DH-X | | 5/16 | 1.00 | 0.96 | 1.14 | 0.13 | 2.90 | Orange | P50 | 14 | 50 | 1 3/16 | 10 |
| LCD3/0-38DH-X | | 3/8 | 1.00 | 0.96 | 1.14 | 0.13 | 2.96 | Orange | P50 | 14 | 50 | 1 3/16 | 10 |
| LCD3/0-12H-X | 4/0 AWG | 1/2 | 1.75 | 0.96 | 1.14 | 0.13 | 4.12 | Orange | P50 | 14 | 50 | 1 3/16 | 10 |
| LCD4/0-14BH-X | | 1/4 | 0.75 | 1.06 | 1.19 | 0.14 | 2.72 | Purple | P54 | 15 | 54 | 1 1/4 | 10 |
| LCD4/0-38DH-X | | 3/8 | 1.00 | 1.06 | 1.19 | 0.14 | 3.05 | Purple | P54 | 15 | 54 | 1 1/4 | 10 |
| LCD4/0-12H-X | | 1/2 | 1.75 | 1.06 | 1.19 | 0.14 | 4.19 | Purple | P54 | 15 | 54 | 1 1/4 | 10 |
| LCD250-38DH-X | 250 kcmil | 3/8 | 1.00 | 1.17 | 1.25 | 0.14 | 3.13 | Yellow | P62 | 16 | 62 | 1 5/16 | 10 |
| LCD250-12H-X | | 1/2 | 1.75 | 1.17 | 1.25 | 0.14 | 4.27 | Yellow | P62 | 16 | 62 | 1 5/16 | 10 |
| LCD300-38DH-X | 300 kcmil | 3/8 | 1.00 | 1.17 | 1.44 | 0.14 | 3.36 | White | P66 | 17 | 66 | 1 1/2 | 10 |
| LCD300-12H-X | | 1/2 | 1.75 | 1.17 | 1.44 | 0.14 | 4.54 | White | P66 | 17 | 66 | 1 1/2 | 10 |
| LCD350-14BH-X | 350 kcmil | 1/4 | 0.75 | 1.28 | 1.44 | 0.17 | 2.92 | Red | P71 | 18 | 71 | 1 1/2 | 10 |
| LCD350-38DH-X | | 3/8 | 1.00 | 1.28 | 1.44 | 0.17 | 3.40 | Red | P71 | 18 | 71 | 1 1/2 | 10 |
| LCD350-12EH-X | | 1/2 | 1.25 | 1.28 | 1.44 | 0.17 | 3.95 | Red | P71 | 18 | 71 | 1 1/2 | 10 |
| LCD350-12H-X | | 1/2 | 1.75 | 1.28 | 1.44 | 0.17 | 4.58 | Red | P71 | 18 | 71 | 1 1/2 | 10 |
| LCD400-38DH-6 | 400 kcmil | 3/8 | 1.00 | 1.39 | 1.50 | 0.18 | 3.50 | Blue | P76 | 19 | 76 | 1 9/16 | 6 |
| LCD400-12H-6 | | 1/2 | 1.75 | 1.39 | 1.50 | 0.18 | 4.68 | Blue | P76 | 19 | 76 | 1 9/16 | 6 |
| LCD500-14BH-6 | 500 kcmil | 1/4 | 0.75 | 1.54 | 1.75 | 0.22 | 3.27 | Brown | P87 | 20 | 87 | 1 13/16 | 6 |
| LCD500-38DH-6 | | 3/8 | 1.00 | 1.54 | 1.75 | 0.22 | 3.75 | Brown | P87 | 20 | 87 | 1 13/16 | 6 |
| LCD500-12EH-6 | | 1/2 | 1.25 | 1.54 | 1.75 | 0.22 | 4.30 | Brown | P87 | 20 | 87 | 1 13/16 | 6 |
| LCD500-12H-6 | | 1/2 | 1.75 | 1.54 | 1.75 | 0.22 | 4.93 | Brown | P87 | 20 | 87 | 1 13/16 | 6 |
| LCD600-38DH-6 | 600 kcmil | 3/8 | 1.00 | 1.70 | 1.75 | 0.26 | 3.81 | Green | P94 | 22 | 94 | 1 13/16 | 6 |
| LCD600-12H-6 | | 1/2 | 1.75 | 1.70 | 1.75 | 0.26 | 4.99 | Green | P94 | 22 | 94 | 1 13/16 | 6 |

‡See pages D3.58 – D3.61 for tool and die information.

*Not tested to NEBS Level 3 requirements.

**Consult cable manufacturer for voltage stress relief instructions with applications greater than 2000 V.

◆NEMA hole sizes and spacing.

Looking for pricing, stock, or lifecycle information?

Click below to explore more details on WIN SOURCE:

 [View LCD2/0-38DH-X on WIN SOURCE](#)

 [Panduit Corp Information](#)

Optimize Your Supply Chain with WIN SOURCE Solutions

-  Global Sourcing Solution
-  Obsolete Management
-  Cost Control Management
-  Shortage Management
-  Alternative Solution
-  Excess Inventory Management