



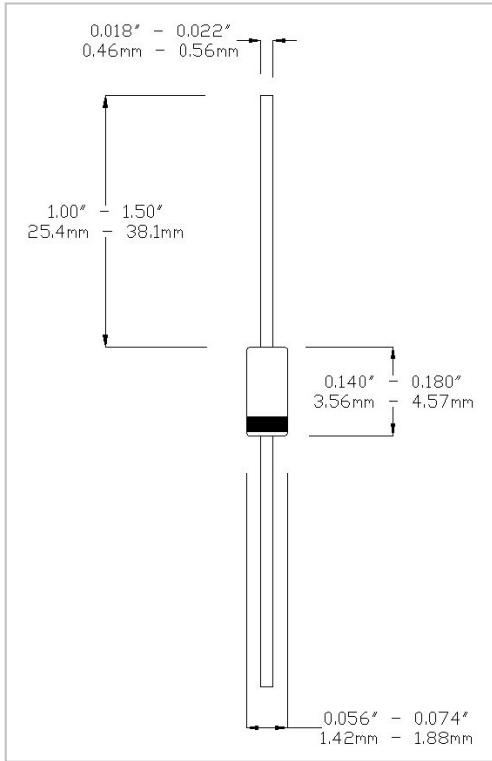
**THE DATASHEET OF  
JANTX1N645-1**



# 1N645-1

## FEATURES

- 1N645-1 AVAILABLE IN JAN, JANTX, AND JANTXV PER MIL-PRF-19500/240
- SILICON RECTIFIER
- METALLURGICALLY BONDED
- HERMETICALLY SEALED
- DOUBLE PLUG CONSTRUCTION



## MAXIMUM RATINGS AT 25 °C

Operating Temperature:	-65°C to +175°C
Storage Temperature:	-65°C to +175°C
Surge Current A, sine 8.3ms:	5.0A
Total Power Dissipation:	500mW
Operating Current:	400mA, T <sub>A</sub> = +25°C
Operating Current:	150mA, T <sub>A</sub> = +150°C
Derating Factor:	2mA/°C above +25°C
Derating Factor:	6mA/°C above +150°C
D.C. Reverse Voltage (VRWM):	225V

## DC ELECTRICAL CHARACTERISTICS

Ambient (°C)	V <sub>F</sub>			I <sub>R</sub>			
	I <sub>F</sub> mA	Min V	Max V	Ambient (°C)	V <sub>R</sub> V (dc)	Min μA	Max μA
25	400	0.80	1.00	25	225	-	0.050
150	400	0.70	0.95	25	270(ac)	-	50
-55	400	-	1.20	150	225	-	25

## DESIGN DATA

**Case:** Hermetically sealed glass package per MIL-PRF-19500/240 DO-35 outline

**Lead Material:** Copper clad steel

**Lead Finish:** Tin/Lead

**Thermal Resistance (R<sub>θJL</sub>):** 250°C/W maximum at L=.375"

**Thermal Impedance (Z<sub>θJX</sub>):** 35°C/W maximum

**Marking:** Blue body coat, Black digits.

**Polarity:** Cathode end is banded.

## AC ELECTRICAL CHARACTERISTICS AT 25°C

	Symbol	Min	Max
Capacitance @ V <sub>R</sub> = 4V	pF	-	20



WWW.MICROSEMI.COM

IRELAND - GORT ROAD, ENNIS, CO. CLARE

PHONE: +353 65 6840044

TOLL FREE: +186 62 702434

FAX: +353 65 6822298

U.S.A. DOMESTIC SALES CONTACT

PHONE: (617) 926 0404

TOLL FREE: 1 800 666 2999

## Looking for pricing, stock, or lifecycle information?

Click below to explore more details on WIN SOURCE:

- ⊖ [View JANTX1N645-1 on WIN SOURCE](#)
- ⊖ [Microchip Technology](#) Information

## Optimize Your Supply Chain with WIN SOURCE Solutions

- ✓ Global Sourcing Solution
- ✓ Obsolete Management
- ✓ Cost Control Management
- ✓ Shortage Management
- ✓ Alternative Solution
- ✓ Excess Inventory Management