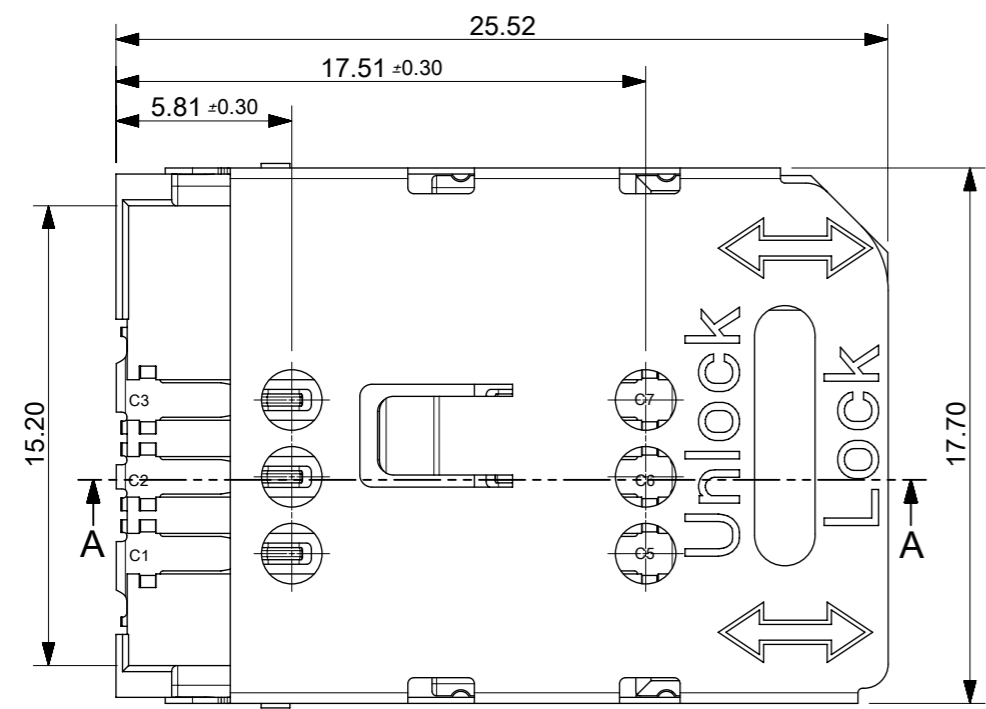
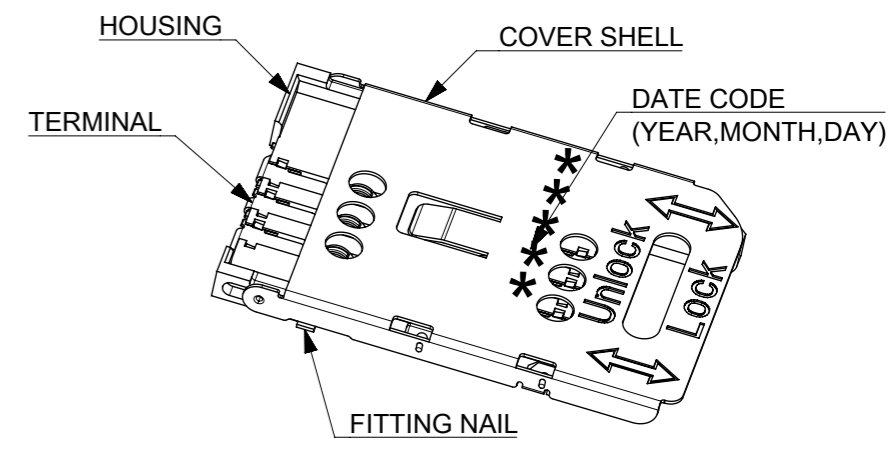
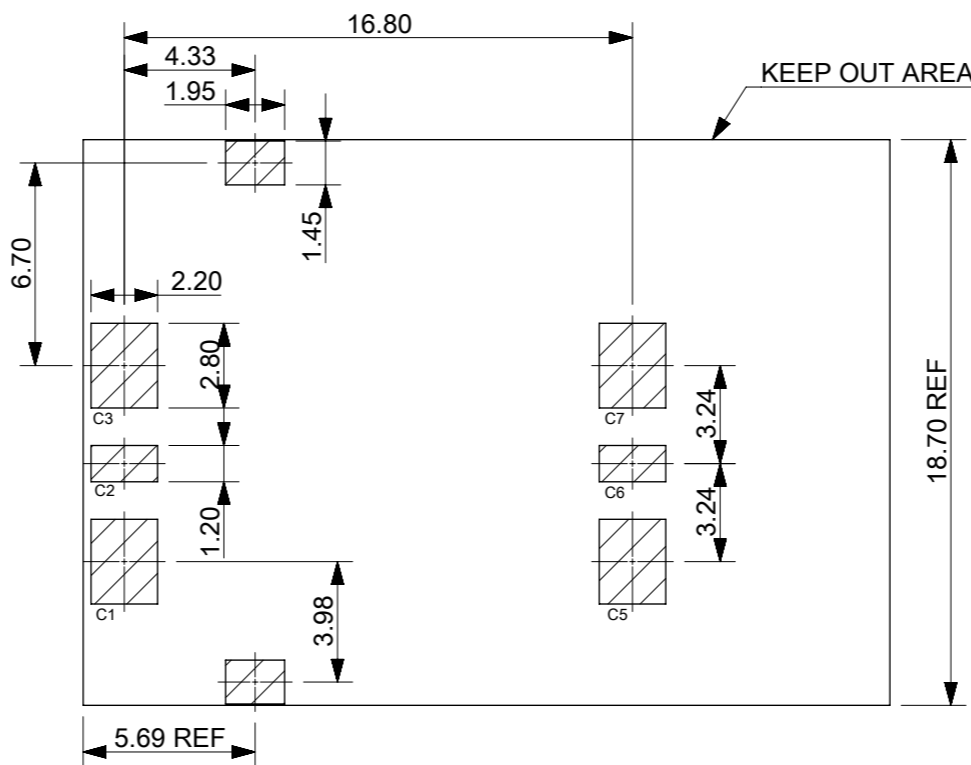
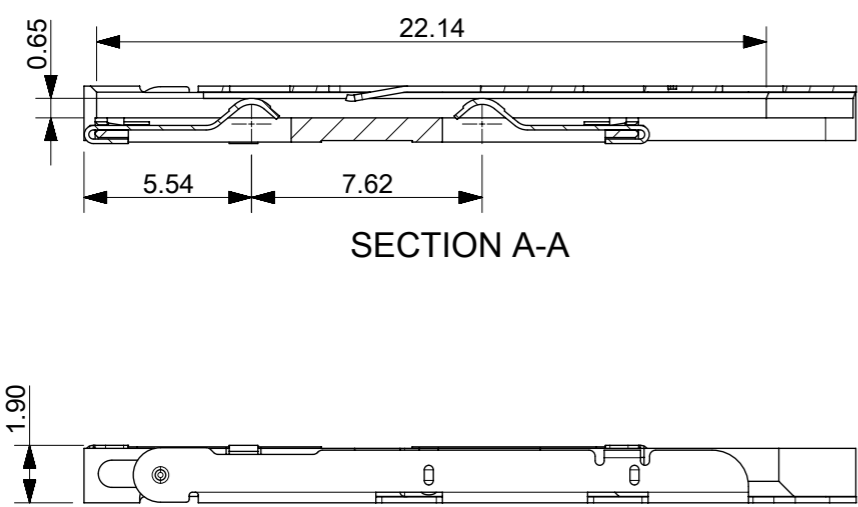


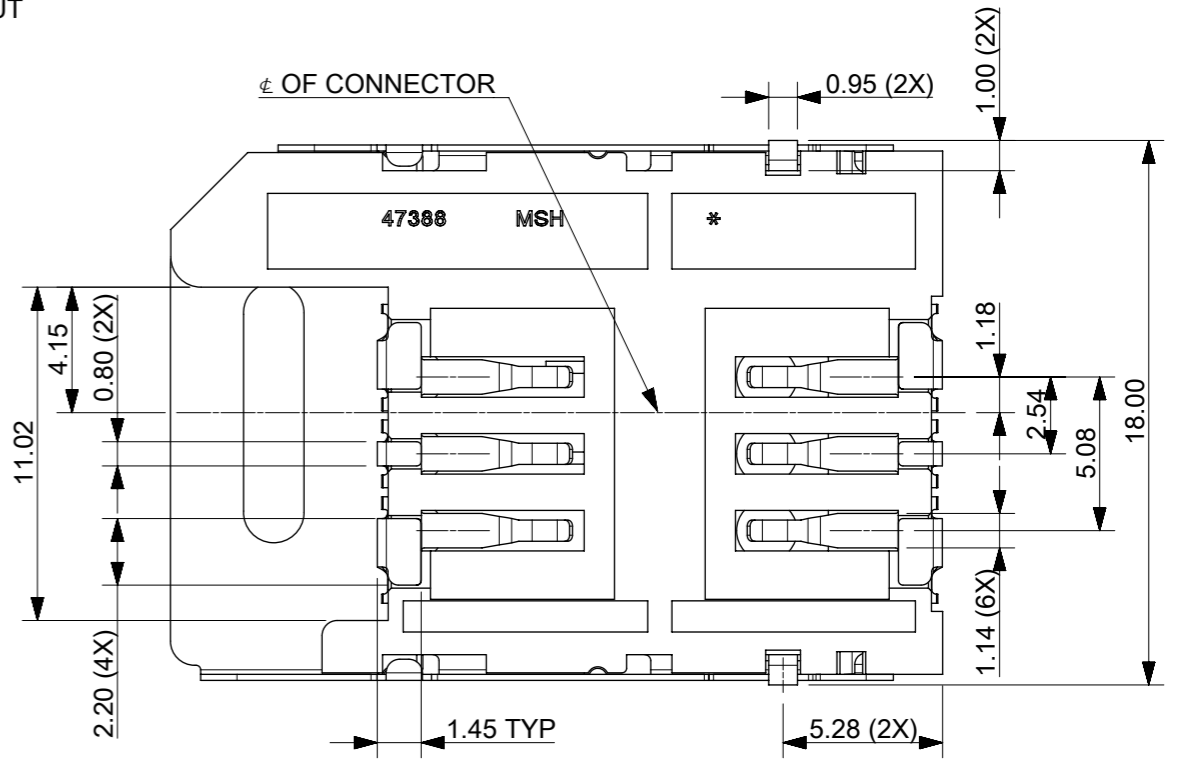
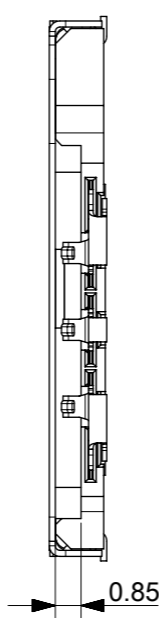


THE DATASHEET OF
473882001





RECOMMENDED PCB LAYOUT
TOLERANCE: ±0.05mm



NOTES:

1. MATERIALS:
 HOUSING: LCP, GLASS FILLED, UL 94V-0, COLOR: BLACK.
 TERMINAL: PHOSPHOR BRONZE, THICKNESS: 0.15mm.
 COVER SHELL: STAINLESS STEEL, THICKNESS: 0.20mm.
 FITTING NAIL: BRASS, THICKNESS: 0.20mm.
2. FINISH:
 TERMINAL:
 CONTACT AREA: 0.75MICRON MIN GOLD PLATE OVER 1.27MICRON MIN NICKEL.
 SOLDER AREA: 3.8MICRON MIN TIN PLATE OVER 1.27MICRON MIN NICKEL.
 FITTING NAIL: 2.54MICRON MIN TIN OVER 1.27MICRON MIN NICKEL OVERALL.
3. COPLANARITY: 0.10mm MAX AMONG ALL SOLDER TAILS.
4. PRODUCT SPECIFICATION: PS-47388-201.
5. PACKAGING SPECIFICATION: PK-47388-001.

THIS DRAWING CONTAINS INFORMATION THAT IS PROPRIETARY TO MOLEX ELECTRONIC TECHNOLOGIES, LLC AND SHOULD NOT BE USED WITHOUT WRITTEN PERMISSION

REDESIGN ROLL PIN EC NO: 116683 DRWN: XQZHANG CHK'D: XQZHANG APPR: AYIN	2016/11/04	2016/11/03	2017/05/26	GENERAL TOLERANCES (UNLESS SPECIFIED) ANGULAR TOL ± 3.0 ° 4 PLACES ± 3 PLACES ± 2 PLACES ± 0.25 1 PLACE ± 0.25 0 PLACES ± DRAFT WHERE APPLICABLE MUST REMAIN WITHIN DIMENSIONS	DIMENSION UNITS	SCALE					
					MM	NTS					
					DRWN BY	DATE	SALES DRAWING FOR 1.90MM SIM CARD READER CONNECTOR				
					YWANG	2007/05/28					
					CHK'D BY	DATE	PRODUCT CUSTOMER DRAWING				
			XIXU	2007/05/28							
			APPR BY	DATE	PRODUCT CUSTOMER DRAWING						
			JNCHEN	2007/05/28							
			DRAWING SIZE	THIRD ANGLE PROJECTION	SERIES	MATERIAL NUMBER	CUSTOMER				
			A3		47388	473882001	GENERAL MARKET				
					DOCUMENT NUMBER	DOC TYPE	DOC PART	SHEET NUMBER			
					SD-47388-201	PSD	000	1 OF 1			

RELEASE STATUS	RELEASE DATE
----------------	--------------

Looking for pricing, stock, or lifecycle information?

Click below to explore more details on WIN SOURCE:

 [View 473882001](#) on WIN SOURCE

 [Molex, LLC](#) Information

Optimize Your Supply Chain with WIN SOURCE Solutions

-  Global Sourcing Solution
-  Obsolete Management
-  Cost Control Management
-  Shortage Management
-  Alternative Solution
-  Excess Inventory Management