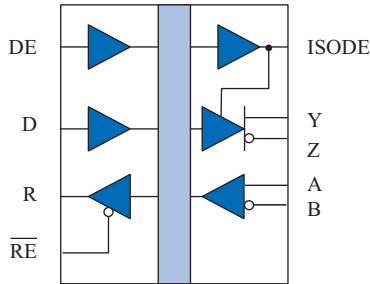




## Isolated RS422/RS485 Interface

### Functional Diagram



**IL422**

### IL422 Receiver

| $\overline{RE}$ | R | $V_{(A-B)}$    |
|-----------------|---|----------------|
| H               | Z | X              |
| L               | H | $\geq 200$ mV  |
| L               | L | $\leq -200$ mV |
| L               | I | Open           |

### IL422 Driver

| DE | D | $V_{(Y-Z)}$   |
|----|---|---------------|
| L  | X | Z             |
| H  | H | $\geq 1.5$ V  |
| H  | L | $\leq -1.5$ V |

H = High Level, L = Low Level  
I = Indeterminate, X = Irrelevant, Z = High Impedance

### Features

- 3.3 V Input Supply Compatible
- 25 ns Maximum Propagation Delay
- 25 Mbps Data Rate
- 1 ns Pulse Skew (typ.)
- $\pm 60$  mA Driver Output Capability
- Thermal Shutdown Protection
- Meets or Exceeds ANSI 422-B, EIA 485-A and ITU Recommended V11
- Low EMC Footprint
- $-40$  °C to  $+85$  °C Operating Temperature
- PROFIBUS Compliant
- 2500  $V_{rms}$  Isolation
- IEC 60747-17 (VDE 0884-17):2021-10 certified; UL 1577 recognized
- 16-pin Wide-Body SOIC Package

### Applications

Multi-point or multi-drop transmission on long bus lines in noisy environments.

### Description

The IL422 is a galvanically isolated, high-speed differential bus transceiver, designed for bidirectional data communication on balanced transmission lines. The devices use NVE's patented\* spintronic Giant Magnetoresistance (GMR) technology. The IL422 was the first isolated RS-422 interface in a standard 16-pin SOIC package to meet the ANSI Standards EIA/TIA-422-B and RS-485.

The IL422 has current limiting and thermal shutdown features to protect against output short circuits and bus contention situations that could cause excessive power dissipation.

## Absolute Maximum Ratings<sup>(11)</sup>

| Parameters                         | Symbol             | Min. | Typ. | Max.         | Units | Test Conditions |
|------------------------------------|--------------------|------|------|--------------|-------|-----------------|
| Storage Temperature                | $T_s$              | -65  |      | 150          | °C    |                 |
| Junction Temperature               | $T_j$              | -65  |      | 150          | °C    |                 |
| Voltage Range at A or B Bus Pins   |                    | -7   |      | 12           | V     |                 |
| Supply Voltage <sup>(1)</sup>      | $V_{DD1}, V_{DD2}$ | -0.5 |      | 7            | V     |                 |
| Digital Input Voltage              |                    | -0.5 |      | 5.5          | V     |                 |
| Digital Output Voltage             |                    | -0.5 |      | $V_{DD} + 1$ | V     |                 |
| Continuous Total Power Dissipation |                    |      |      | 725<br>377   | mW    | 25°C<br>85°C    |
| Maximum Output Current             | $I_o$              |      |      | 95           | mA    |                 |
| Lead Solder Temperature            |                    |      |      | 260          | °C    | 10 sec.         |
| ESD                                |                    |      | 2    |              | kV    | HBM             |

## Recommended Operating Conditions

| Parameters  | Symbol                 | Min.       | Typ. | Max.       | Units | Test Conditions                                      |
|---|------------------------|------------|------|------------|-------|--|
| Supply Voltage  | $V_{DD1}$<br>$V_{DD2}$ | 3.0<br>4.5 |      | 5.5<br>5.5 | V     |  |
| Input Voltage at any Bus Terminal (separately or common mode) | $V_i$<br>$V_{IC}$      |            |      | 12<br>-7   | V     |  |
| High-Level Digital Input Voltage                              | $V_{IH}$               | 2.4<br>3.0 |      | $V_{DD1}$  | V     | $V_{DD1} = 3.3\text{ V}$<br>$V_{DD1} = 5.0\text{ V}$ |
| Low-Level Digital Input Voltage                               | $V_{IL}$               | 0          |      | 0.8        | V     |  |
| Differential Input Voltage <sup>(2)</sup>                     | $V_{ID}$               |            |      | ±12        | V     |  |
| High-Level Output Current (Driver)                            | $I_{OH}$               |            |      | 60         | mA    |  |
| High-Level Digital Output Current (Receiver)                  | $I_{OH}$               |            |      | 8          | mA    |  |
| Low-Level Output Current (Driver)                             | $I_{OL}$               | -60        |      |            | mA    |  |
| Low-Level Digital Output Current (Receiver)                   | $I_{OL}$               | -8         |      |            | mA    |  |
| Ambient Operating Temperature                                 | $T_A$                  | -40        |      | 85         | °C    |  |
| Junction Temperature  | $T_j$                  | -40        |      | 100        | °C    |  |
| Transient Immunity  |                        | 20         |      |            | kV/μs |  |
| Digital Input Signal Rise and Fall Times                      | $t_{IR}, t_{IF}$       |            |      |            |       | DC Stable  |

## Safety and Approvals

---

**IEC 60747-17 (VDE 0884-17):2021-10** (Basic Isolation; VDE File Number 5016933-4880-0001)

- Isolation voltage ( $V_{ISO}$ ): 2500  $V_{RMS}$
- Transient overvoltage ( $V_{IOTM}$ ): 4000  $V_{PK}$
- Surge rating: 4000 V
- Each part tested at 1590  $V_{PK}$  for 1 second, 5 pC partial discharge limit.
- Samples tested at 4000  $V_{PK}$  for 60 sec.; then 1358  $V_{PK}$  for 10 sec. with 5 pC partial discharge limit.
- Working Voltage ( $V_{IORM}$ ) 600  $V_{RMS}$  (848  $V_{PK}$ ); basic insulation; pollution degree 2

| Safety-Limiting Values                           | Symbol | Value | Units       |
|--|--------|-------|-------------|
| Safety rating ambient temperature                | $T_S$  | 180   | $^{\circ}C$ |
| Safety rating power (180 $^{\circ}C$ )           | $P_S$  | 270   | mW          |
| Supply current safety rating (total of supplies) | $I_S$  | 54    | mA          |

**UL 1577** (Component Recognition Program File Number E207481)

- 2500 V rating
- Each part tested at 3000  $V_{RMS}$  (4243  $V_{PK}$ ) for 1 second
- Each lot sample tested at 2500  $V_{RMS}$  (3536  $V_{PK}$ ) for 1 minute

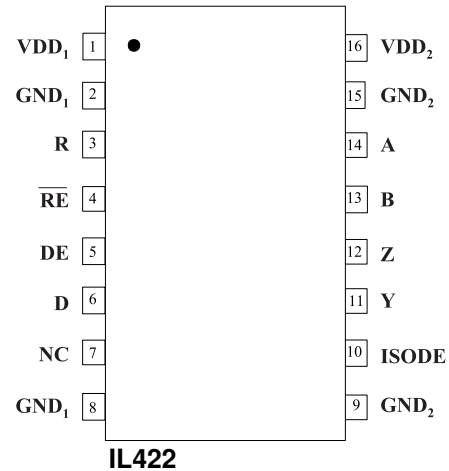
## Soldering Profile

---

Per JEDEC J-STD-020C, MSL-1

## IL422 Pin Connections

|    |                        |   |
|----|------------------------|---|
| 1  | V <sub>DD1</sub>       | Input Power Supply  |
| 2  | GND <sub>1</sub>       | Input Power Supply Ground*  |
| 3  | R                      | Output Data from Bus  |
| 4  | $\overline{\text{RE}}$ | Read Data Enable<br>(if RE is high, R = high impedance)   |
| 5  | DE                     | Drive Enable  |
| 6  | D                      | Data Input to Bus   |
| 7  | NC                     | No Internal Connection  |
| 8  | GND <sub>1</sub>       | Input Power Supply Ground*  |
| 9  | GND <sub>2</sub>       | Output Power Supply Ground*   |
| 10 | ISODE                  | Isolated DE Output for use in Profibus applications where the state of the isolated drive enable node needs to be monitored |
| 11 | Y                      | Y Bus (Drive – True)  |
| 12 | Z                      | Z Bus (Drive – Inverse)   |
| 13 | B                      | B Bus (Receive – Inverse)   |
| 14 | A                      | A Bus (Receive – True)  |
| 15 | GND <sub>2</sub>       | Output Power Supply Ground*   |
| 16 | V <sub>DD2</sub>       | Output Power Supply   |



**\*NOTE:** Pins 2 and 8 are internally connected, as are pins 9 and 15.

## Driver Section

Electrical specifications are  $T_{min}$  to  $T_{max}$  and  $V_{DD} = 4.5$  V to 5.5 V unless otherwise stated.

| Parameters  | Symbol           | Min. | Typ. <sup>(5)</sup> | Max.                | Units   | Test Conditions                            |
|---|------------------|------|---------------------|---------------------|---------|--|
| Input Clamp Voltage   | $V_{IK}$         |      |                     | -1.5                | V       | $I_L = -18$ mA                             |
| Output voltage  | $V_O$            | 0    |                     | 6                   | V       | $I_O = 0$                                  |
| Differential Output Voltage <sup>(2)</sup>                        | $ V_{OD1} $      | 1.5  |                     | 6                   | V       | $I_O = 0$                                  |
| Differential Output Voltage <sup>(2)</sup>                        | $ V_{OD2} $      | 1.5  | 2.5                 | 5                   | V       | $R_L = 54 \Omega$ , $V_{DD} = 5$ V         |
| Differential Output Voltage <sup>(2)(6)</sup>                     | $V_{OD3}$        | 1.5  |                     | 5                   | V       | $R_L = 54 \Omega$ , $V_{DD} = 4.5$ V       |
| Change in Magnitude of Differential Output Voltage <sup>(7)</sup> | $\Delta V_{OD} $ |      |                     | $\pm 0.2$           | V       | $R_L = 54 \Omega$ or $100 \Omega$          |
| Common Mode Output Voltage  | $V_{OC}$         |      |                     | 3<br>-1             | V       | $R_L = 54 \Omega$ or $100 \Omega$          |
| Change in Magnitude of Common Mode Output Voltage <sup>(7)</sup>  | $\Delta V_{OC} $ |      |                     | $\pm 0.2$           | V       | $R_L = 54 \Omega$ or $100 \Omega$          |
| Output Current <sup>(4)</sup> <i>Output Disabled</i>              | $I_O$            |      |                     | 1<br>-0.8           | mA      | $V_O = 12$ V<br>$V_O = -7$ V               |
| High Level Input Current  | $I_{IH}$         |      |                     | 10                  | $\mu$ A | $V_I = 3.5$ V                              |
| Low Level Input Current   | $I_{IL}$         |      |                     | -10                 | $\mu$ A | $V_I = 0.4$ V                              |
| Short-circuit Output Current                                      | $I_{OS}$         |      |                     | 250<br>-150<br>-250 | mA      | $V_O = -6$ V<br>$V_O = 0$ V<br>$V_O = 8$ V |
| Supply Current  | $I_{DD1}$        |      | 4                   | 6                   | mA      | No Load                                    |
|   | $I_{DD1}$        |      | 3                   | 3                   | mA      | (Outputs Enabled)                          |
| Switching Specifications  |                  |      |                     |                     |         |  |
| Parameters  | Symbol           | Min. | Typ. <sup>(5)</sup> | Max.                | Units   | Test Conditions                            |
| Maximum Data Rate   |                  | 25   |                     |                     | Mbps    | $R_L = 54 \Omega$ , $C_L = 50$ pF          |
| Differential Output Prop Delay                                    | $t_D(OD)$        |      | 16                  | 25                  | ns      | $R_L = 54 \Omega$ , $C_L = 50$ pF          |
| Pulse Skew <sup>(10)</sup>  | $t_S(P)$         |      | 1                   | 6                   | ns      | $R_L = 54 \Omega$ , $C_L = 50$ pF          |
| Differential Output Rise & Fall Time                              | $t_T(OD)$        |      | 8                   | 10                  | ns      | $R_L = 54 \Omega$ , $C_L = 50$ pF          |
| Output Enable Time to High Level                                  | $t_{PZH}$        |      | 31                  | 65                  | ns      | $R_L = 54 \Omega$ , $C_L = 50$ pF          |
| Output Enable Time to Low Level                                   | $t_{PZL}$        |      | 22                  | 35                  | ns      | $R_L = 54 \Omega$ , $C_L = 50$ pF          |
| Output Disable Time from High Level                               | $t_{PHZ}$        |      | 28                  | 50                  | ns      | $R_L = 54 \Omega$ , $C_L = 50$ pF          |
| Output Disable Time from Low Level                                | $t_{PLZ}$        |      | 16                  | 32                  | ns      | $R_L = 54 \Omega$ , $C_L = 50$ pF          |
| Skew Limit <sup>(3)</sup>   | $t_{SK}(LIM)$    |      | 2                   | 8                   | ns      | $R_L = 54 \Omega$ , $C_L = 50$ pF          |

## Receiver Section

Electrical specifications are  $T_{min}$  to  $T_{max}$  and  $V_{DD} = 4.5\text{ V}$  to  $5.5\text{ V}$  unless otherwise stated.

| Parameters                                 | Symbol    | Min.           | Typ. <sup>(5)</sup> | Max.      | Units         | Test Conditions   |
|--|-----------|----------------|---------------------|-----------|---------------|---|
| Positive-going Input Threshold Voltage     | $V_{IT+}$ |                |                     | 0.2       | V             | $V_O = 2.7\text{ V}$ ,<br>$I_O = -0.4\text{ mA}$                                |
| Negative-going Input Threshold Voltage     | $V_{IT-}$ | -0.2           |                     |           | V             | $V_O = 0.5\text{ V}$ ,<br>$I_O = 8\text{ mA}$                                   |
| Hysteresis Voltage ( $V_{IT+} - V_{IT-}$ ) | $V_{HYS}$ |                | 60                  |           | mV            |   |
| High Level Digital Output Voltage          | $V_{OH}$  | $V_{DD} - 0.2$ |                     |           | V             | $V_{ID} = 200\text{ mV}$<br>$I_{OH} = -20\text{ }\mu\text{A}$                   |
| Low Level Digital Output Voltage           | $V_{OL}$  |                |                     | 0.2       | V             | $V_{ID} = -200\text{ mV}$<br>$I_{OH} = 20\text{ }\mu\text{A}$                   |
| High-impedance-state output current        | $I_{OZ}$  |                |                     | $\pm 10$  | $\mu\text{A}$ | $V_O = 0.4$ to $(V_{DD2} - 0.5)\text{ V}$                                       |
| Line Input Current <sup>(8)</sup>          | $I_I$     |                |                     | 1<br>-0.8 | mA            | $V_I = 12\text{ V}$<br>$V_I = -7\text{ V}$<br>Other Input <sup>(11)</sup> = 0 V |
| Input Resistance                           | $r_I$     | 12             | 20                  |           | k $\Omega$    |   |
| Supply Current                             | $I_{DD2}$ |                | 27                  | 34        | mA            | No load<br>Outputs Enabled  |

### Switching Characteristics at 5 V

| Parameters                          | Symbol        | Min. | Typ. <sup>(5)</sup> | Max. | Units | Test Conditions   |
|-------------------------------------|---------------|------|---------------------|------|-------|---|
| Maximum Data Rate                   |               | 25   |                     |      | Mbps  | $R_L = 54\text{ }\Omega$ , $C_L = 50\text{ pF}$                   |
| Propagation Delay <sup>(9)</sup>    | $t_{PD}$      |      | 24                  | 32   | ns    | $V_O = -1.5\text{ V}$ to $1.5\text{ V}$ ,<br>$C_L = 15\text{ pF}$ |
| Pulse Skew <sup>(10)</sup>          | $t_{sk}(P)$   |      | 1                   | 6    | ns    | $V_O = -1.5\text{ V}$ to $1.5\text{ V}$ ,<br>$C_L = 15\text{ pF}$ |
| Skew Limit <sup>(3)</sup>           | $t_{sk}(LIM)$ |      | 2                   | 8    | ns    | $R_L = 54\text{ }\Omega$ , $C_L = 50\text{ pF}$                   |
| Output Enable Time To High Level    | $t_{PZH}$     |      | 17                  | 24   | ns    | $C_L = 15\text{ pF}$  |
| Output Enable Time To Low Level     | $t_{PZL}$     |      | 30                  | 45   | ns    | $C_L = 15\text{ pF}$  |
| Output Disable Time From High Level | $t_{PHZ}$     |      | 30                  | 45   | ns    | $C_L = 15\text{ pF}$  |
| Output Disable Time From Low Level  | $t_{PLZ}$     |      | 18                  | 27   | ns    | $C_L = 15\text{ pF}$  |

### Switching Characteristics at 3.3 V

| Parameters                          | Symbol        | Min. | Typ. <sup>(5)</sup> | Max. | Units | Test Conditions   |
|-------------------------------------|---------------|------|---------------------|------|-------|---|
| Maximum Data Rate                   |               | 25   |                     |      | Mbps  | $R_L = 54\text{ }\Omega$ , $C_L = 50\text{ pF}$                   |
| Propagation Delay <sup>(9)</sup>    | $t_{PD}$      |      | 27                  | 32   | ns    | $V_O = -1.5\text{ V}$ to $1.5\text{ V}$ ,<br>$C_L = 15\text{ pF}$ |
| Pulse Skew <sup>(10)</sup>          | $t_{sk}(P)$   |      | 2                   | 6    | ns    | $V_O = -1.5\text{ V}$ to $1.5\text{ V}$ ,<br>$C_L = 15\text{ pF}$ |
| Skew Limit <sup>(3)</sup>           | $t_{sk}(LIM)$ |      | 4                   | 8    | ns    | $R_L = 54\text{ }\Omega$ , $C_L = 50\text{ pF}$                   |
| Output Enable Time To High Level    | $t_{PZH}$     |      | 20                  | 24   | ns    | $C_L = 15\text{ pF}$  |
| Output Enable Time To Low Level     | $t_{PZL}$     |      | 33                  | 45   | ns    | $C_L = 15\text{ pF}$  |
| Output Disable Time From High Level | $t_{PHZ}$     |      | 33                  | 45   | ns    | $C_L = 15\text{ pF}$  |
| Output Disable Time From Low Level  | $t_{PLZ}$     |      | 20                  | 27   | ns    | $C_L = 15\text{ pF}$  |

## Magnetic Field Immunity<sup>(11)</sup>

| Magnetic Field Immunity at 5 V                 |           |  |      |  |     |                              |
|--|-----------|--|------|--|-----|------------------------------|
| Power Frequency Magnetic Immunity              | $H_{PF}$  |  | 3500 |  | A/m | 50Hz/60Hz                    |
| Pulse Magnetic Field Immunity                  | $H_{PM}$  |  | 4500 |  | A/m | $t_p = 8\text{ }\mu\text{s}$ |
| Damped Oscillatory Magnetic Field              | $H_{OSC}$ |  | 4500 |  | A/m | 0.1Hz - 1MHz                 |
| Cross-axis Immunity Multiplier <sup>(12)</sup> | $K_X$     |  | 2.5  |  |     |                              |
| Magnetic Field Immunity at 3.3 V               |           |  |      |  |     |                              |
| Power Frequency Magnetic Immunity              | $H_{PF}$  |  | 1500 |  | A/m | 50Hz/60Hz                    |
| Pulse Magnetic Field Immunity                  | $H_{PM}$  |  | 2000 |  | A/m | $t_p = 8\text{ }\mu\text{s}$ |
| Damped Oscillatory Magnetic Field              | $H_{OSC}$ |  | 2000 |  | A/m | 0.1Hz - 1MHz                 |
| Cross-axis Immunity Multiplier <sup>(12)</sup> | $K_X$     |  | 2.5  |  |     |                              |

## Insulation Specifications

| Parameters        | Symbol | Min. | Typ.                  | Max. | Units | Test Conditions              |
|-------------------|--------|------|-----------------------|------|-------|------------------------------|
| Creepage Distance |        | 8.08 |                       |      |       | mm                           |
| Barrier Impedance |        |      | >10 <sup>14</sup>   7 |      |       | Ω    pF                      |
| Leakage Current   |        |      | 0.2                   |      | μA    | 240 V <sub>RMS</sub> , 60 Hz |

## Thermal Characteristics

| Parameter                              | Symbol          | Min. | Typ. | Max. | Units | Test Conditions                 |
|--|-----------------|------|------|------|-------|---------------------------------|
| Junction–Ambient Thermal Resistance    | θ <sub>JA</sub> |      | 67   |      | °C/W  | Double-sided PCB in free air    |
| Junction–Case (Top) Thermal Resistance | θ <sub>JC</sub> |      | 12   |      |       |                                 |
| Junction–Ambient Thermal Resistance    | θ <sub>JA</sub> |      | 46   |      |       | 2s2p PCB in free air per JESD51 |
| Junction–Case (Top) Thermal Resistance | θ <sub>JC</sub> |      | 9    |      |       |                                 |
| Power Dissipation                      | P <sub>D</sub>  |      |      | 1500 | mW    |                                 |

## Notes:

- All voltage values are with respect to network ground except differential I/O bus voltages.
- Differential input/output voltage is measured at the noninverting terminal A with respect to the inverting terminal B.
- Skew limit is the maximum propagation delay difference between any two devices at 25°C.
- The power-off measurement in ANSI Standard EIA/TIA-422-B applies to disabled outputs only and is not applied to combined inputs and outputs.
- All typical values are at V<sub>DD1</sub> = 3.3 V or 5 V and V<sub>DD2</sub> = 5 V, and T<sub>A</sub> = 25°C.
- The minimum V<sub>OD2</sub> with a 100 Ω load is either ½ V<sub>OD1</sub> or 2 V, whichever is greater.
- Δ|V<sub>OD</sub>| and Δ|V<sub>OC</sub>| are the changes in magnitude of V<sub>OD</sub> and V<sub>OC</sub>, respectively, that occur when the input is changed from one logic state to the other.
- This applies for both power on and power off, refer to ANSI standard RS-485 for exact condition. The EIA/TIA-422-B limit does not apply for a combined driver and receiver terminal.
- Includes 8 ns read enable time. Maximum propagation delay is 25 ns after read assertion.
- Pulse skew is defined as |t<sub>PLH</sub> – t<sub>PHL</sub>| of each channel.
- The relevant test and measurement methods are given in the Electromagnetic Compatibility section.
- External magnetic field immunity is improved by this factor if the field direction is “end-to-end” rather than to “pin-to-pin.”

**Application Information**

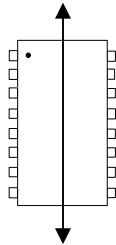
**Electrostatic Discharge Sensitivity**

This product has been tested for electrostatic sensitivity to the limits stated in the specifications. However, NVE recommends that all integrated circuits be handled with appropriate care to avoid damage. Damage caused by inappropriate handling or storage could range from performance degradation to complete failure.

**Electromagnetic Compatibility**

The IL422 is fully compliant with IEC 61000-6-1 and IEC 61000-6-2 standards for immunity, and IEC 61000-6-3, IEC 61000-6-4, CISPR, and FCC Class A standards for emissions.

Immunity to external magnetic fields is even higher if the field direction is “end-to-end” rather than to “pin-to-pin” as shown in the diagram below:



Cross-axis Field Direction

**Dynamic Power Consumption**

IsoLoop Isolators achieve their low power consumption from the way they transmit data across the isolation barrier. By detecting the edge transitions of the input logic signal and converting these to narrow current pulses, a magnetic field is created around the GMR Wheatstone bridge. Depending on the direction of the magnetic field, the bridge causes the output comparator to switch following the input logic signal. Since the current pulses are narrow, about 2.5 ns, the power consumption is independent of mark-to-space ratio and solely dependent on frequency. This has obvious advantages over optocouplers, which have power consumption heavily dependent on frequency and time.

The approximate power supply current per channel is:

$$I_{IN} = 40 \times \frac{f}{f_{MAX}} \times \frac{1}{4} \text{ mA}$$

Where f = operating frequency

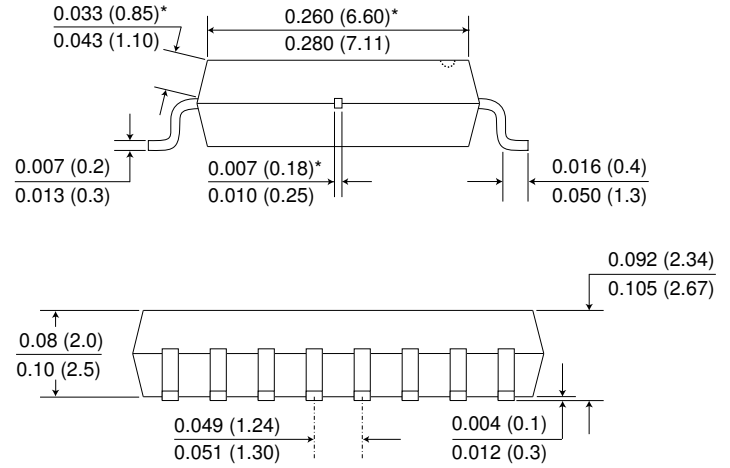
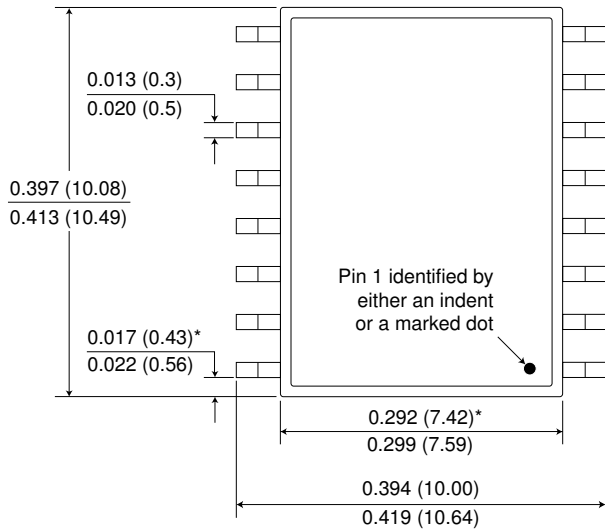
$$f_{MAX} = 50 \text{ MHz}$$

**Power Supply Decoupling**

V<sub>DD1</sub> and V<sub>DD2</sub> should be bypassed with 0.1 μF typical (0.047 μF minimum) capacitors as close as possible to the V<sub>DD</sub> pins.

**0.3" 16-pin SOIC Package**

Dimensions in inches (mm); scale = approx. 5X

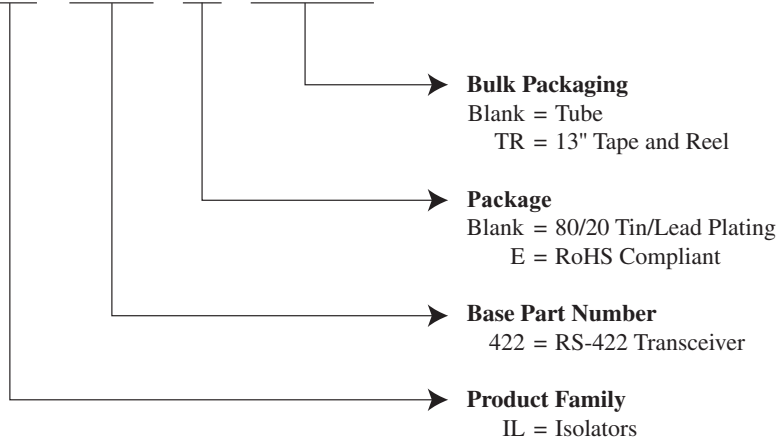


NOTE: Pin spacing is a BASIC dimension; tolerances do not accumulate

\*Specified for True 8™ package to guarantee 8 mm creepage per IEC 60601.

**Ordering Information and Valid Part Numbers**

**IL 422 E TR13**



**Valid Part Numbers**

IL422  
IL422E

All IL422 part types are available on tape and reel.



**ISB-DS-001-IL422-S**  
**October 2022**

**Changes**

- Upgrade to VDE 0884-17 (p. 3).
- Updated EMC standards.
- Deleted minimum magnetic field immunity specifications (p. 6) since it is not 100% tested.
- Added thermal characteristics (p. 7).

**ISB-DS-001-IL422-R**

**Change**

- Updated MSL, agency approvals, magnetic immunity, and other specifications.

**ISB-DS-001-IL422-Q**

**Change**

- Update terms and conditions.

**ISB-DS-001-IL422-P**

**Change**

- Added clarification of internal ground connections.

**ISB-DS-001-IL422-O**

**Change**

- Added low EMC footprint.

**ISB-DS-001-IL422-N**

**Changes**

- Added magnetic field immunity and electromagnetic compatibility specifications.
- Added note on package drawing that pin-spacing tolerances are non-accumulating.

**ISB-DS-001-IL422-M**

**Change**

- Changed ordering information to reflect that devices are now fully RoHS compliant with no exemptions.

**ISB-DS-001-IL422-L**

**Change**

- Reorganized supply current specifications; misc. minor changes

**ISB-DS-001-IL422-K**

**Change**

- Eliminated soldering profile chart

**ISB-DS-001-IL422-J**

**Change**

- Updated open input state in truth table

**ISB-DS-001-IL422-I**

**Change**

- Updated package drawing; misc.

**ISB-DS-001-IL422-H**

**Change**

- Updated UL and IEC approvals

**ISB-DS-001-IL422-G**

**Changes**

- Revision letter added.
- Ordering Information Removed.
- IEC 61010-1 Classification: “Reinforced Insulation” added.
- Notes added.
- IR Soldering Profile added
- Ordering Information added.

#### **Datasheet Limitations**

The information and data provided in datasheets shall define the specification of the product as agreed between NVE and its customer, unless NVE and customer have explicitly agreed otherwise in writing. All specifications are based on NVE test protocols. In no event however, shall an agreement be valid in which the NVE product is deemed to offer functions and qualities beyond those described in the datasheet.

#### **Limited Warranty and Liability**

Information in this document is believed to be accurate and reliable. However, NVE does not give any representations or warranties, expressed or implied, as to the accuracy or completeness of such information and shall have no liability for the consequences of use of such information.

In no event shall NVE be liable for any indirect, incidental, punitive, special or consequential damages (including, without limitation, lost profits, lost savings, business interruption, costs related to the removal or replacement of any products or rework charges) whether or not such damages are based on tort (including negligence), warranty, breach of contract or any other legal theory.

#### **Right to Make Changes**

NVE reserves the right to make changes to information published in this document including, without limitation, specifications and product descriptions at any time and without notice. This document supersedes and replaces all information supplied prior to its publication.

#### **Use in Life-Critical or Safety-Critical Applications**

Unless NVE and a customer explicitly agree otherwise in writing, NVE products are not designed, authorized or warranted to be suitable for use in life support, life-critical or safety-critical devices or equipment. NVE accepts no liability for inclusion or use of NVE products in such applications and such inclusion or use is at the customer's own risk. Should the customer use NVE products for such application whether authorized by NVE or not, the customer shall indemnify and hold NVE harmless against all claims and damages.

#### **Applications**

Applications described in this datasheet are illustrative only. NVE makes no representation or warranty that such applications will be suitable for the specified use without further testing or modification.

Customers are responsible for the design and operation of their applications and products using NVE products, and NVE accepts no liability for any assistance with applications or customer product design. It is customer's sole responsibility to determine whether the NVE product is suitable and fit for the customer's applications and products planned, as well as for the planned application and use of customer's third party customers. Customers should provide appropriate design and operating safeguards to minimize the risks associated with their applications and products.

NVE does not accept any liability related to any default, damage, costs or problem which is based on any weakness or default in the customer's applications or products, or the application or use by customer's third party customers. The customer is responsible for all necessary testing for the customer's applications and products using NVE products in order to avoid a default of the applications and the products or of the application or use by customer's third party customers. NVE accepts no liability in this respect.

#### **Limiting Values**

Stress above one or more limiting values (as defined in the Absolute Maximum Ratings System of IEC 60134) will cause permanent damage to the device. Limiting values are stress ratings only and operation of the device at these or any other conditions above those given in the recommended operating conditions of the datasheet is not warranted. Constant or repeated exposure to limiting values will permanently and irreversibly affect the quality and reliability of the device.

#### **Terms and Conditions of Sale**

In case an individual agreement is concluded only the terms and conditions of the respective agreement shall apply. NVE hereby expressly objects to applying the customer's general terms and conditions with regard to the purchase of NVE products by customer.

#### **No Offer to Sell or License**

Nothing in this document may be interpreted or construed as an offer to sell products that is open for acceptance or the grant, conveyance or implication of any license under any copyrights, patents or other industrial or intellectual property rights.

#### **Export Control**

This document as well as the items described herein may be subject to export control regulations. Export might require a prior authorization from national authorities.

#### **Automotive Qualified Products**

Unless the datasheet expressly states that a specific NVE product is automotive qualified, the product is not suitable for automotive use. It is neither qualified nor tested in accordance with automotive testing or application requirements. NVE accepts no liability for inclusion or use of non-automotive qualified products in automotive equipment or applications.

In the event that customer uses the product for design-in and use in automotive applications to automotive specifications and standards, customer (a) shall use the product without NVE's warranty of the product for such automotive applications, use and specifications, and (b) whenever customer uses the product for automotive applications beyond NVE's specifications such use shall be solely at customer's own risk, and (c) customer fully indemnifies NVE for any liability, damages or failed product claims resulting from customer design and use of the product for automotive applications beyond NVE's standard warranty and NVE's product specifications.

An ISO 9001 Certified Company

NVE Corporation  
11409 Valley View Road  
Eden Prairie, MN 55344-3617 USA  
Telephone: (952) 829-9217  
[www.nve.com](http://www.nve.com)  
e-mail: [iso-apps@nve.com](mailto:iso-apps@nve.com)

©NVE Corporation  
All rights are reserved. Reproduction in whole or in part is prohibited without the prior written consent of the copyright owner.

ISB-DS-001-IL422-S

*October 2022*

## Looking for pricing, stock, or lifecycle information?

Click below to explore more details on WIN SOURCE:

 [View IL 422-3V on WIN SOURCE](#)

 [NVE Corp Information](#)

## Optimize Your Supply Chain with WIN SOURCE Solutions

-  Global Sourcing Solution
-  Obsolete Management
-  Cost Control Management
-  Shortage Management
-  Alternative Solution
-  Excess Inventory Management