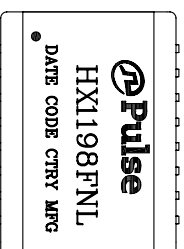




**THE DATASHEET OF
HX1198FNL**



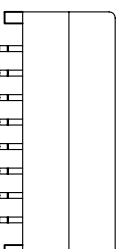
) WITH FLAMMABILITY
) +125°C



ITY AT 245°C REFLOW PROFILE

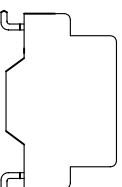
MOISTURE SENSITIVE

MAXIMUM THROUGH REFLOW SOLDER



NG ADD A "T" SUFFIX

FNL BECOMES HX1198FNLT).



FINAL OUTLINE

All rights reserved. Pulse confidential & proprietary. (06/12/14)

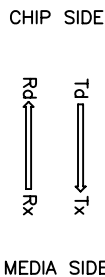
TLA DRAWING HX1198FNL-13	PS DRAWING PS-2005.002-D	SHEET 1 OF 3	PART NO. HX1198FNL	DATASHEET REV. A
-----------------------------	-----------------------------	-----------------	-----------------------	---------------------

ELECTRICAL CHARACTERISTICS AT +25°C UNLESS OTHER SPECIFIED
MEETS IEEE 802.3 SPECIFICATION

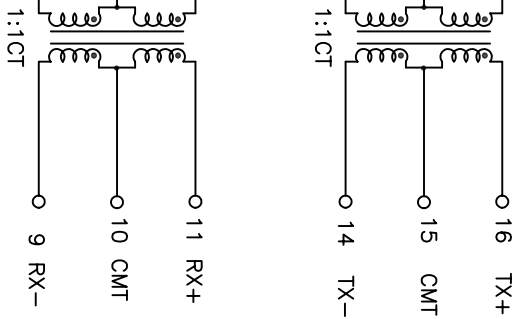
PARAMETER	SPECIFICATIONS	
OPERATING TEMPERATURE	-40°C ~ +85°C	
TURNS RATIO	1 : 1 ± 2%	
POLARITY	PER SCHEMATIC	
INSERTION LOSS	100 KHZ	1-125 MHZ
	-1.2 DB MAX	-0.2-0.002*f ^{1.4} DB MAX
RETURN LOSS (Z OUT = 100 OHM±15%)	5MHZ	30-80MHZ
	-18 DB MIN	-16 + 26LOG (f/30MHZ) DB MIN
INDUCTANCE (OCL) (MEDIA SIDE, -40°C ~ +85°C)	350 uH MIN	(MEASURED AT 100 KHZ, 100 mVRMS)
	1 MHZ	(AND WITH 8 mA DC BIAS)
CROSSTALK (TX-RX)	-62 DB MIN	5-100MHZ
	-45 + 21LOG ₁₀ (f/30MHZ) DB MIN	5-200MHZ
DIFFERENTIAL TO COMMON MODE REJECTION	-50+17LOG ₁₀ (f/5MHZ) DB MIN	
	1500 VRMS MIN @ 60 SECONDS	
ISOLATION (INPUT - OUTPUT)		

NOTE: f IS FREQUENCY IN MHZ.

LEGEND

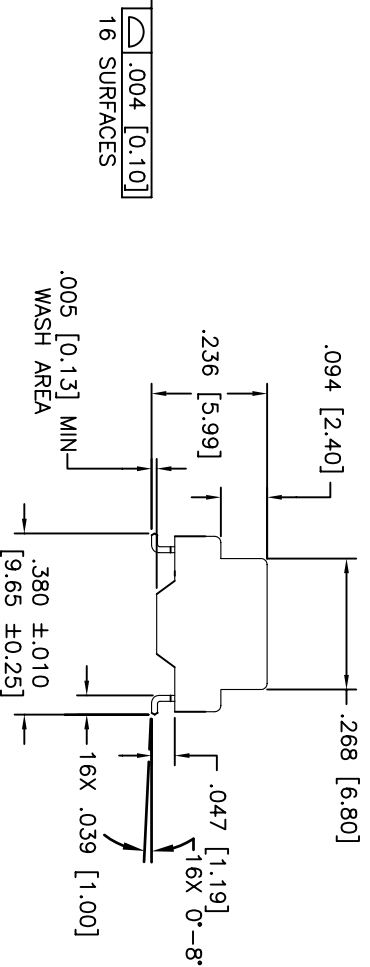
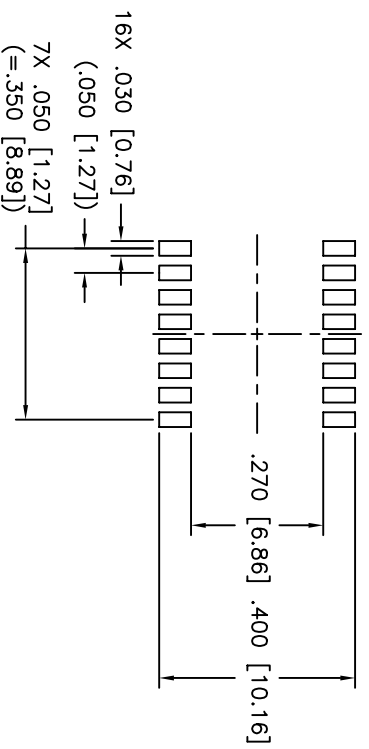
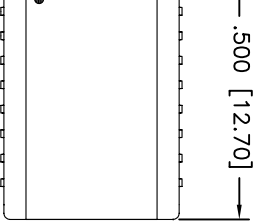


ALL CHANNELS IN
PHASE INPUT TO
OUTPUT



All rights reserved. Pulse confidential & proprietary. (06/12/14)

ITLA DRAWING	PS DRAWING	SHEET	PART NO.	DATASHEET REV.
HX1198FNL-13	PS-2005.002-D	2 OF 3	HX1198FNL	A



WITH THE FOLLOWING
REFERENCE ONLY.

All rights reserved. Pulse confidential & proprietary. (06/12/14)


ITLA DRAWING HX1198FNL-13	PS DRAWING PS-2005.002-D	SHEET 3 OF 3	PART NO. HX1198FNL	DATASHEET REV. A
------------------------------	-----------------------------	-----------------	-----------------------	---------------------

SFF1 FCTRONICS.COM(Asia) PHONE:USA:858 674 8100, GERMANY:49 7032 78060, SINGAPORE:65 6287 8998, SHANGHAI:86 21 62787060, TAIWAN:886 3 4356768

Looking for pricing, stock, or lifecycle information?

Click below to explore more details on WIN SOURCE:

 [View HX1198FNL on WIN SOURCE](#)

 [Pulse Information](#)

Optimize Your Supply Chain with WIN SOURCE Solutions

-  Global Sourcing Solution
-  Obsolete Management
-  Cost Control Management
-  Shortage Management
-  Alternative Solution
-  Excess Inventory Management