

STRUCTURE

Silicon Monolithic Integrated Circuit

PRODUCT

CONSTANT VOLTAGE AND CONSTANT CURRENT
CONTROLLER FOR BATTERY CHARGERS AND ADAPTORS

TYPE

B D 6 5 5 0 G

FEATURE

- Constant current and constant voltage control
- High accuracy reference voltage: $1.21V \pm 1\%$
- An accuracy for current-detecting voltage: $\pm 2\%$

○ ABSOLUTE MAXIMUM RATINGS (Ta=25°C)

PARAMETER	Symbol	Limit	Unit
Power Supply Voltage	VMAX	-0.3 ~ 14	V
ICT Pin Maximum Voltage	VICTMAX	-0.3 ~ VCC	V
Power Dissipation	Pd	675 *1	mW
Operating Temperature Range	Topr	0 ~ +85	°C
Storage Temperature Range	Tstg	-55 ~ +150	°C

*1 Pd derated at 5.4mW/°C for temperature above Ta=25°C,
mounted on 70mm × 70mm × 1.6mm glass-epoxy PCB.

○ OPERATING CONDITIONS (Ta=0~+85°C)

PARAMETER	Symbol	Limit	Unit
Power Supply Voltage	VCC	2.5~12	V

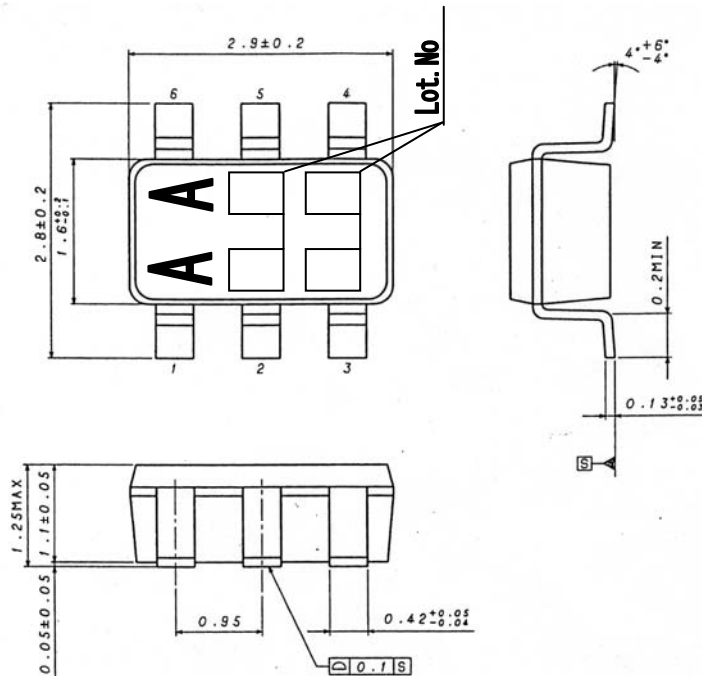
○ ELECTRICAL CHARACTERISTICS (Ta=25°C and Vcc=+5V (unless otherwise specified))

PARAMETER	Symbol	Limit			UNIT	Conditions
		MIN.	TYP.	MAX.		
【Total Current Consumption】						
Total Supply Current - not taking the output sinking current into account	ICC	-	0.9	2	mA	
【Voltage Control Loop】						
Transconduction Gain(VCT). Sink Current Only	GMV	1	4.0	-	mA/mV	*1
Voltage Control Loop Reference at 1.5mA sinking current	VREF	1.198	1.21	1.222	V	Ta=25°C
		1.186	1.21	1.234		0 < Ta < 85°C *1
Input Bias Current(VCT)	Ibv	-	50	-	nA	*1
【Current Control Loop】						
Transconduction Gain(ICT). Sink Current Only	GMI	1.5	4.0	-	mA/mV	*1
Current Control Loop Reference at 2.5mA sinking current	VSE	196	200	204	mV	Ta=25°C
		192	200	208		0 < Ta < 85°C *1
Current out of pin ICT at -200mV	Ibi	-	25	-	μA	
【Output Stage】						
Low output voltage at 10mA sinking current	VOL	-	200	-	mV	VSE=0V, ICT=-0.3V
Output Short Circuit Current, Output to VCC, Sink Current Only	IOS	-	20	50	mA	OUT=VCC, VSE=0V, ICT=-0.3V

● This product is not designed for protection against radio active rays.

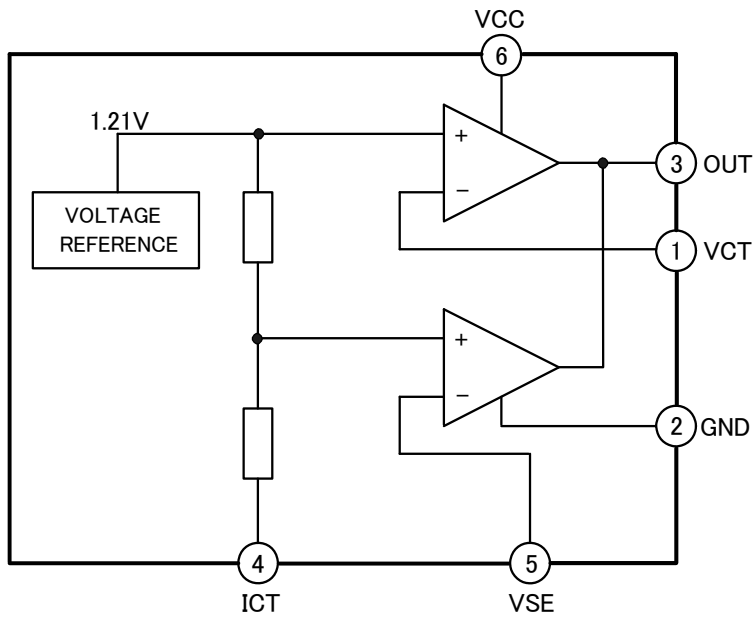
*1 Design Guarantee

○ PACKAGE, MARKING SPECIFICATION



SSOP6 (UNIT:mm)

○ BLOCK DIAGRAM



○ PIN No. & PIN NAME

PIN No.	PIN Name	Function
1	VCT	Input Pin of the Voltage Control Loop
2	GND	Ground Line. 0V Reference For All Voltages
3	OUT	Output Pin. Sinking Current Only
4	ICT	Input Pin of the Current Control Loop(+)
5	VSE	Input Pin of the Current Control Loop(-)
6	VCC	Positive Power Supply Line

○ Operation Notes

1) Absolute maximum ratings

Use of the IC in excess of absolute maximum ratings such as the applied voltage or operating temperature range may result in IC deterioration or damage. Assumptions should not be made regarding the state of the IC (short mode or open mode) when such damage is suffered. A physical safety measure such as a fuse should be implemented when use of the IC in a special mode where the absolute maximum ratings may be exceeded is anticipated.

2) GND potential

Ensure a minimum GND pin potential in all operating conditions. In addition, ensure that no pins other than the GND pin carry a voltage lower than or equal to the GND pin, including during actual transient phenomena. As an exception, the circuit design allows voltages up to -0.3 V to be applied to the ICT pin.

3) Setting of heat

Use a thermal design that allows for a sufficient margin in light of the power dissipation (Pd) in actual operating conditions.

4) Pin short and mistake fitting

Use caution when orienting and positioning the IC for mounting on printed circuit boards. Improper mounting may result in damage to the IC. Shorts between output pins or between output pins and the power supply and GND pin caused by the presence of a foreign object may result in damage to the IC.

5) Actions in strong magnetic field

Use caution when using the IC in the presence of a strong electromagnetic field as doing so may cause the IC to malfunction.

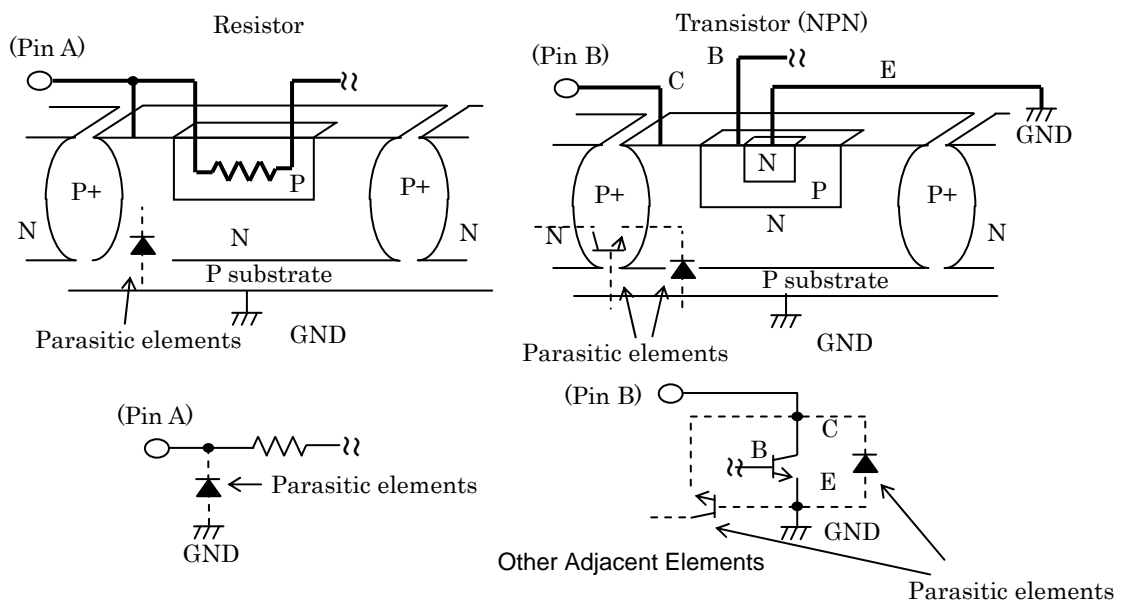
6) Mutual impedance

Power supply and ground wiring should reflect consideration of the need to lower mutual impedance and minimize ripple as much as possible (by making wiring as short and thick as possible or rejecting ripple by incorporating inductance and capacitance).

7) Regarding input pin of the IC

This monolithic IC contains P+ isolation and P substrate layers between adjacent elements in order to keep them isolated. P/N junctions are formed at the intersection of these P layers with the N layers of other elements to create a variety of parasitic elements. For example, when a resistor and transistor are connected to pins as shown in Fig. 19, the P/N junction functions as a parasitic diode when GND > (Pin A) for the resistor or GND > (Pin B) for the transistor (NPN). Similarly, when GND > (Pin B) for the transistor (NPN), the parasitic diode described above combines with the N layer of other elements to operate as a parasitic NPN transistor. The formation of parasitic elements as a result of the relationships of the potentials of different pins is an inevitable result of the IC's architecture. The operation of parasitic elements can cause interference with circuit operation as well as IC malfunction and damage. For these reasons, it is necessary to use caution so that the IC is not used in a way that will trigger the operation of parasitic elements, such as by the application of voltages lower than the GND (P substrate) voltage to I/O pins.

Although the circuit design allows voltages up to -0.3 V to be applied to the ICT pin, voltages lower than this may cause the behavior described above. Use caution when designing the circuit.



Simplified structure of a Monolithic IC

Notes

No copying or reproduction of this document, in part or in whole, is permitted without the consent of ROHM Co.,Ltd.

The content specified herein is subject to change for improvement without notice.

The content specified herein is for the purpose of introducing ROHM's products (hereinafter "Products"). If you wish to use any such Product, please be sure to refer to the specifications, which can be obtained from ROHM upon request.

Examples of application circuits, circuit constants and any other information contained herein illustrate the standard usage and operations of the Products. The peripheral conditions must be taken into account when designing circuits for mass production.

Great care was taken in ensuring the accuracy of the information specified in this document. However, should you incur any damage arising from any inaccuracy or misprint of such information, ROHM shall bear no responsibility for such damage.

The technical information specified herein is intended only to show the typical functions of and examples of application circuits for the Products. ROHM does not grant you, explicitly or implicitly, any license to use or exercise intellectual property or other rights held by ROHM and other parties. ROHM shall bear no responsibility whatsoever for any dispute arising from the use of such technical information.

The Products specified in this document are intended to be used with general-use electronic equipment or devices (such as audio visual equipment, office-automation equipment, communication devices, electronic appliances and amusement devices).

The Products specified in this document are not designed to be radiation tolerant.

While ROHM always makes efforts to enhance the quality and reliability of its Products, a Product may fail or malfunction for a variety of reasons.

Please be sure to implement in your equipment using the Products safety measures to guard against the possibility of physical injury, fire or any other damage caused in the event of the failure of any Product, such as derating, redundancy, fire control and fail-safe designs. ROHM shall bear no responsibility whatsoever for your use of any Product outside of the prescribed scope or not in accordance with the instruction manual.

The Products are not designed or manufactured to be used with any equipment, device or system which requires an extremely high level of reliability the failure or malfunction of which may result in a direct threat to human life or create a risk of human injury (such as a medical instrument, transportation equipment, aerospace machinery, nuclear-reactor controller, fuel-controller or other safety device). ROHM shall bear no responsibility in any way for use of any of the Products for the above special purposes. If a Product is intended to be used for any such special purpose, please contact a ROHM sales representative before purchasing.

If you intend to export or ship overseas any Product or technology specified herein that may be controlled under the Foreign Exchange and the Foreign Trade Law, you will be required to obtain a license or permit under the Law.





Thank you for your accessing to ROHM product informations.
More detail product informations and catalogs are available, please contact us.

ROHM Customer Support System

<http://www.rohm.com/contact/>

Looking for pricing, stock, or lifecycle information?

Click below to explore more details on WIN SOURCE:

-  [View BD6550G-TR on WIN SOURCE](#)
-  [Rohm Semiconductor](#) Information

Optimize Your Supply Chain with WIN SOURCE Solutions

-  Global Sourcing Solution
-  Obsolete Management
-  Cost Control Management
-  Shortage Management
-  Alternative Solution
-  Excess Inventory Management