



THE DATASHEET OF H1263NLT





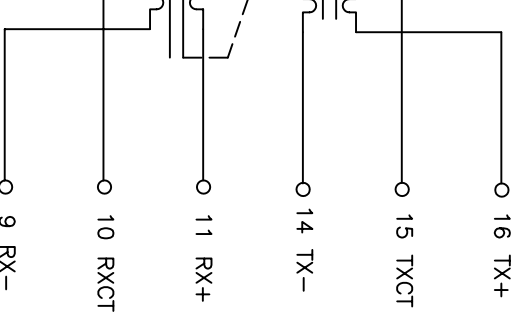
Pulse

A TECHNITROL COMPANY
www.pulseeng.com

ELECTRICAL CHARACTERISTICS AT +25°C UNLESS OTHERWISE SPECIFIED
(FOR REFERENCE ONLY. USED FOR CUSTOMER INFORMATION.)

PARAMETER	SPECIFICATIONS		
	0°C - 70°C		
OPERATING TEMP	0°C - 70°C		
TURN S RATIO	1.00 ± 2%		
POLARITY	PER SCHEMATIC		
INSERTION LOSS	100 KHZ	1 - 125 MHZ	
RETURN LOSS (Z OUT = 100 OHM ±15%)	-1.2 DB MAX	-0.2-0.002*f ^{1.4} DB MAX	
	.1-30 MHZ	30-60 MHZ	60-80 MHZ
	-16 DB MIN	-10+20*LOG ₁₀ (f/60 MHZ) DB MIN	-10 DB MIN
INDUCTANCE (OCL) (MEDIA SIDE, 0°C - 70°C)	350 uH TYP. (MEASURED AT 100 KHZ, 100 mVRMS)		
	1 MHZ	10-100 MHZ	
	-50 DB MIN	-55+22*LOG ₁₀ (f/10) DB MIN	
CROSSTALK, ADJACENT CHANNELS	2 MHZ	30-200 MHZ	
	-45 DB MIN	-7+28*LOG ₁₀ (f/200) DB MIN	
COMMON MODE REJECTION RATIO	.65 OHMS MAX		
DC RESISTANCE, 1/2 WINDING			
DC RESISTANCE IMBALANCE	±.065 OHMS MAX (CENTER TAP SYMMETRY)		
INPUT - OUTPUT ISOLATION	1500 VRMS MIN AT 60 SECONDS		

NOTE: f IS FREQUENCY IN MHZ.



WITH FLAMMABILITY

D-002,

S:

rights reserved. Drawing specifications subject to change without notice. (06/08/10)

T DESCRIPTION
00P,1:1,SM,TU

PS DRAWING
PS-2005.002-A



SHEET:
1

DWG. NO./ PART NO.
H1263NL

REV.
M11

Looking for pricing, stock, or lifecycle information?

Click below to explore more details on WIN SOURCE:

-  [View H1263NLT on WIN SOURCE](#)
-  [Pulse Information](#)

Optimize Your Supply Chain with WIN SOURCE Solutions

-  Global Sourcing Solution
-  Obsolete Management
-  Cost Control Management
-  Shortage Management
-  Alternative Solution
-  Excess Inventory Management