



**THE DATASHEET OF  
FC120N2/AA**



6

5

4

3

2

1

D

D

C

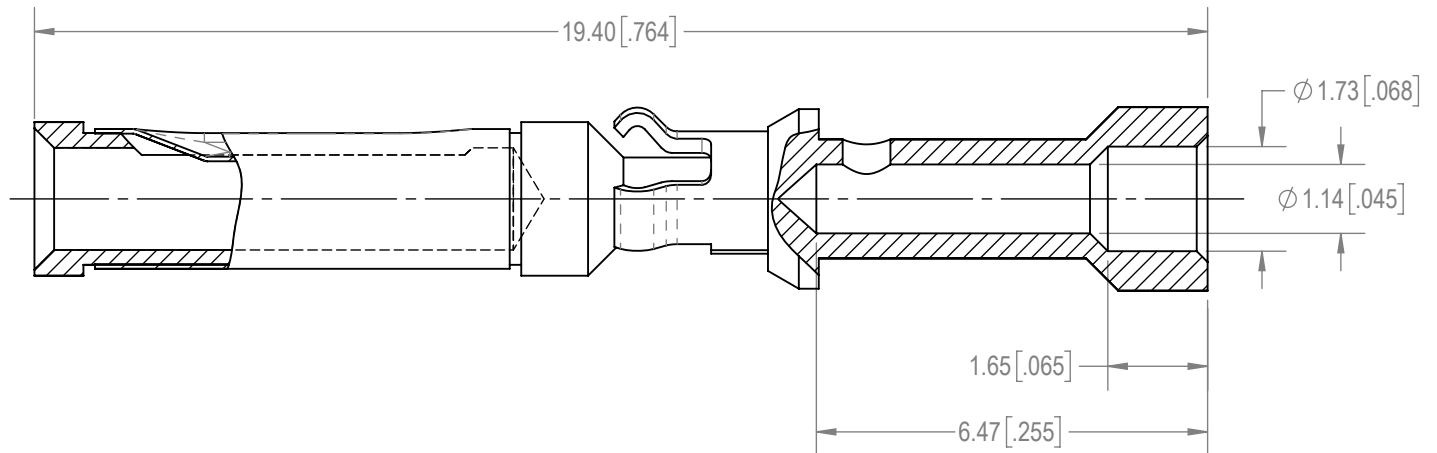
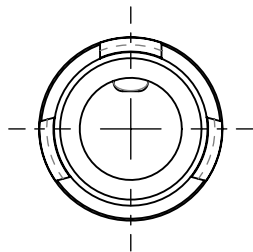
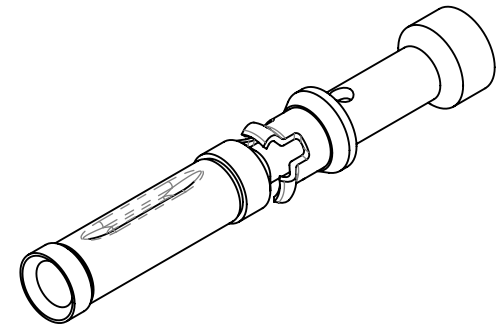
C

B

B

A

A

**NOTES:**

- MATERIAL AND FINISHES:  
CONTACT: PRECISION MACHINED COPPER ALLOY, GOLD FLASH OVER NICKEL PLATE.  
SPRING CLIP: BERYLLIUM COPPER, GOLD FLASH OVER NICKEL PLATE.  
RETAINER: BERYLLIUM COPPER, NICKEL PLATE.
- DETAILED PRODUCT, MECHANICAL AND ELECTRICAL INFORMATION IS AVAILABLE IN THE LATEST STANDARD DENSITY RECTANGULAR PRODUCT PUBLICATION AT [CONNECTPOSITRONIC.COM](http://CONNECTPOSITRONIC.COM)
- CRIMPING TOOL INFORMATION IS AVAILABLE AT [WWW.CONNECTPOSITRONIC.COM/CrimpToolCrosslist](http://WWW.CONNECTPOSITRONIC.COM/CrimpToolCrosslist).
- PRODUCT IS COMPLIANT TO THE CURRENT RoHS DIRECTIVE.

BY SB	CHK EB	3RD ANGLE 	POSITRONIC BELIEVES THE DATA ON THE DRAWING TO BE RELIABLE. THE USER EMPLOYS SUCH INFORMATION AT HIS OWN DISCRETION AND RISK. POSITRONIC ASSUMES NO RESPONSIBILITY FOR RESULTS OBTAINED OR DAMAGES INCURRED FROM USE OF SUCH INFORMATION IN WHOLE OR IN PART.	
APR PA	RELEASED DATE: 2020-07-20	SCALE NTS		
TOLERANCES ±0.03mm [.001 INCHES] FOR MALE CONTACT MATING DIAMETERS ±0.08mm [.003 INCHES] FOR CONTACT TERMINATION DIAMETERS ±0.13mm [.005 INCHES] FOR ALL OTHER DIAMETERS ±0.38mm [.015 INCHES] FOR ALL OTHER DIMENSIONS ±5° FOR ALL ANGLES DIMENSION ARE IN MILLIMETERS [INCHES]			PART NUMBER FC120N2/AA	SERIES GMCT
			TITLE FC120N2/AA	
CREATED ON: 2020-07-04		SHEET SHEET 1 OF 1	REV A	

6

5

4

3

2

1

## Looking for pricing, stock, or lifecycle information?

Click below to explore more details on WIN SOURCE:

 [View FC120N2/AA on WIN SOURCE](#)

 [Amphenol Information](#)

## Optimize Your Supply Chain with WIN SOURCE Solutions

-  Global Sourcing Solution
-  Obsolete Management
-  Cost Control Management
-  Shortage Management
-  Alternative Solution
-  Excess Inventory Management