



# THE DATASHEET OF EVQ-PPDA25



6.0 mm×3.5 mm Square Thin type  
Light Touch Switches  
for Reflow Soldering

Japan

Type: **EVQPP**



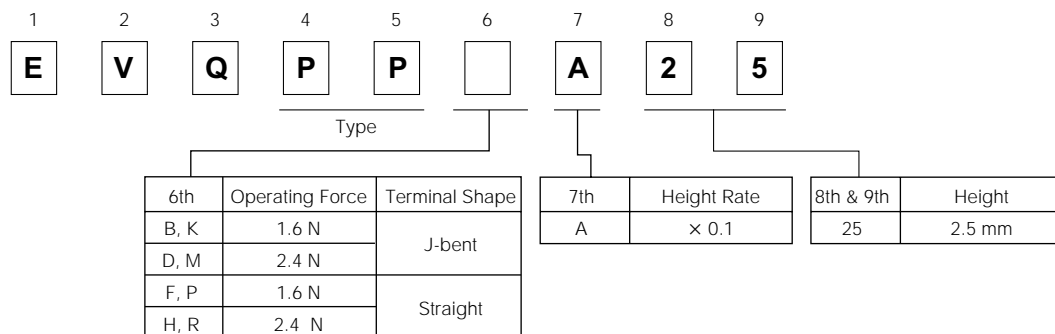
### ■ Features

- 6.0 mm×3.5 mm square thin type: 2.5 mm in height
- Excellent clear click feeling
- Reflow soldering available
- Dustproof structure

### ■ Recommended Applications

- Operating signal input switches for portable CD players, MD players, and communications equipment

### ■ Explanation of Part Numbers


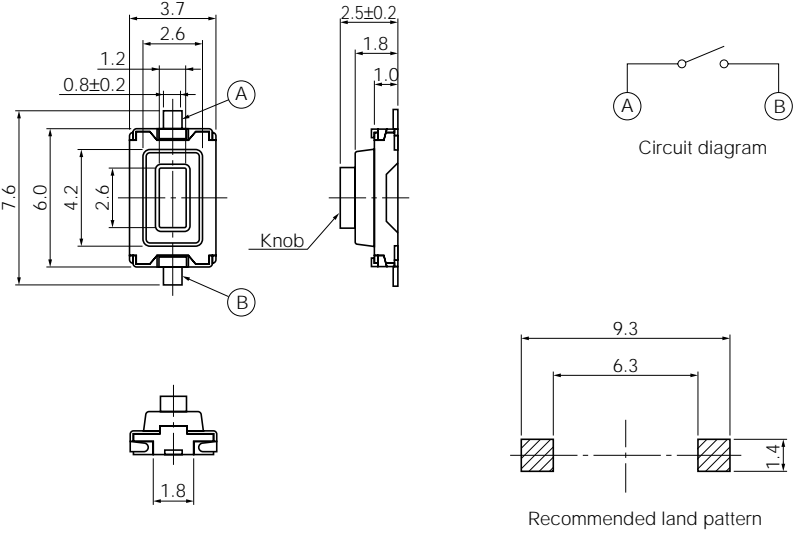

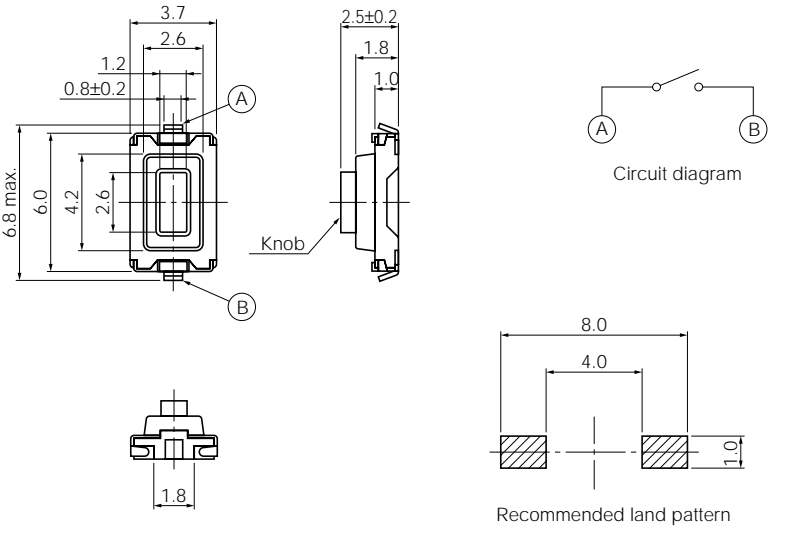


### ■ Specifications


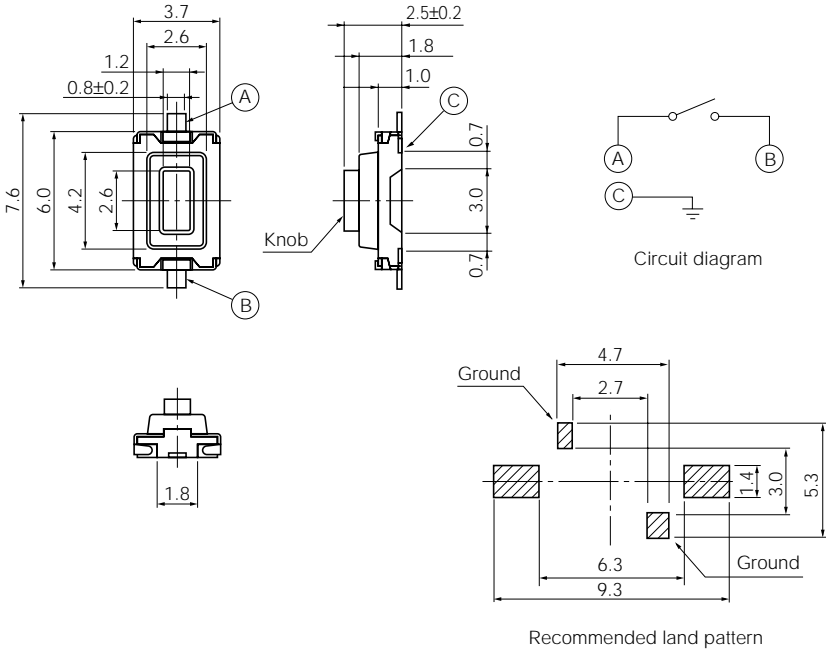

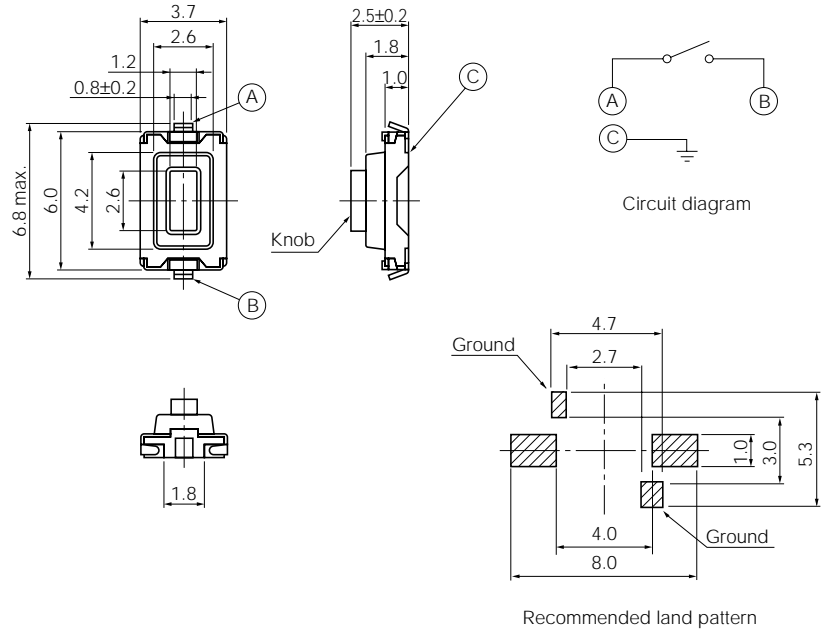
|                               |                                 |  |                   |
|-------------------------------|---------------------------------|--|-------------------|
| Type                          |                                 | Snap action / Push-on type SPST                      |                   |
| Electrical                    | Rating                          | 50 mA 12 Vdc max. (Resistive load)                   |                   |
|                               | Contact Resistance              | 100 mΩ max.  |                   |
|                               | Insulation Resistance           | 100 MΩ min. (at 100 Vdc)                             |                   |
|                               | Dielectric Withstanding Voltage | 250 Vac for 1 minute                                 |                   |
|                               | Bouncing                        | 10 ms max. (ON, OFF)                                 |                   |
| Mechanical                    | Operating Force                 | 1.6 N±0.5 N  | 2.4 N±0.6 N       |
|                               | Travel                          | 0.25 mm <sup>+0.2</sup> / <sub>-0.1</sub> mm         |                   |
| Endurance                     | Operating Life                  | 50000 cycles min.                                    | 30000 cycles min. |
|                               | Operating Temperature           | -40 °C to +85 °C (45 % to 85 % RH)                   |                   |
|                               | Storage Temperature             | -40 °C to +85 °C (Bulk)<br>-20 °C to +60 °C (Taping) |                   |
| Minimum Quantity/Packing Unit |                                 | 4000 pcs. Embossed Taping (Reel Pack)                |                   |
| Quantity/Carton               |                                 | 20000 pcs.   |                   |

Design and specifications are each subject to change without notice. Ask factory for the current technical specifications before purchase and/or use. Should a safety concern arise regarding this product, please be sure to contact us immediately.

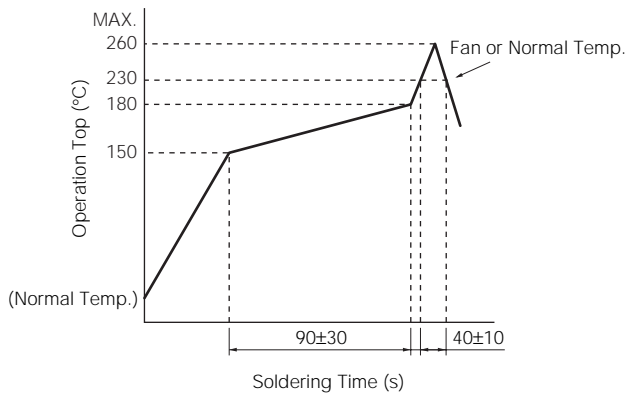
■ Dimensions in mm (not to scale)

|   |  |               |                         |                       |
|---|--|---------------|-------------------------|-----------------------|
| <p>No. 1</p> <p>EVQPPF<br/>EVQPPH</p> <p>(Embossed Taping)</p> <p>With straight terminals<br/>Without ground terminal</p>  |    |               |                         |                       |
| <p>Part Numbers</p>   | <p>Operating Force</p>   | <p>Height</p> | <p>Push Plate Color</p> | <p>Operating Life</p> |
| <p>EVQPPFA25</p>  | <p>1.6 N</p>   | <p>2.5 mm</p> | <p>Black</p>            | <p>50000 cycles</p>   |
| <p>EVQPPHA25</p>  | <p>2.4 N</p>   | <p>2.5 mm</p> | <p>White</p>            | <p>30000 cycles</p>   |
| <p>No. 2</p> <p>EVQPPB<br/>EVQPPD</p> <p>(Embossed Taping)</p> <p>With J-bent terminals<br/>Without ground terminal</p>  |  |               |                         |                       |
| <p>Part Numbers</p>   | <p>Operating Force</p>   | <p>Height</p> | <p>Push Plate Color</p> | <p>Operating Life</p> |
| <p>EVQPPBA25</p>  | <p>1.6 N</p>   | <p>2.5 mm</p> | <p>Black</p>            | <p>50000 cycles</p>   |
| <p>EVQPPDA25</p>  | <p>2.4 N</p>   | <p>2.5 mm</p> | <p>White</p>            | <p>30000 cycles</p>   |

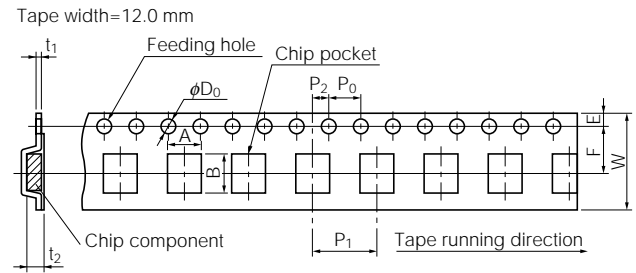
■ Dimensions in mm (not to scale)

|  |  |               |                         |                       |
|--|--|---------------|-------------------------|-----------------------|
| <p>No. 3</p> <p>EVQPPP<br/>EVQPPR</p> <p>(Embossed Taping)</p> <p>With straight terminals<br/>With ground terminal</p>  |    |               |                         |                       |
| <p>Part Numbers</p>  | <p>Operating Force</p>   | <p>Height</p> | <p>Push Plate Color</p> | <p>Operating Life</p> |
| <p>EVQPPPA25</p>   | <p>1.6 N</p>   | <p>2.5 mm</p> | <p>Black</p>            | <p>50000 cycles</p>   |
| <p>EVQPPRA25</p>   | <p>2.4 N</p>   | <p>2.5 mm</p> | <p>White</p>            | <p>30000 cycles</p>   |
| <p>No. 4</p> <p>EVQPPK<br/>EVQPPM</p> <p>(Embossed Taping)</p> <p>With J-bent terminals<br/>With ground terminal</p>  |  |               |                         |                       |
| <p>Part Numbers</p>  | <p>Operating Force</p>   | <p>Height</p> | <p>Push Plate Color</p> | <p>Operating Life</p> |
| <p>EVQPPKA25</p>   | <p>1.6 N</p>   | <p>2.5 mm</p> | <p>Black</p>            | <p>50000 cycles</p>   |
| <p>EVQPPMA25</p>   | <p>2.4 N</p>   | <p>2.5 mm</p> | <p>White</p>            | <p>30000 cycles</p>   |

## ■ Recommended Reflow Soldering Conditions



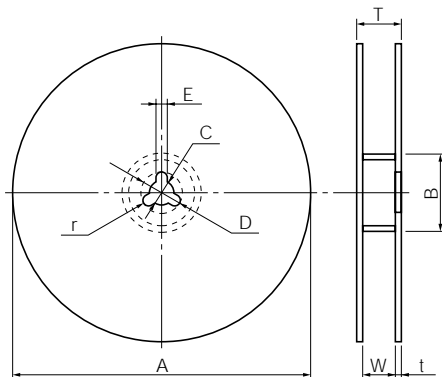
## ● Embossed Carrier Taping



Unit: mm

| Part No. | Height | A         | B        | W        | F       | E         | $P_1$   | $P_2$   | $P_0$   | $D_0$ Dia.                        | $t_1$     | $t_2$     |
|----------|--------|-----------|----------|----------|---------|-----------|---------|---------|---------|-----------------------------------|-----------|-----------|
| EVQPP    | 2.5    | 4.45±0.20 | 8.3 max. | 12.0±0.3 | 5.5±0.1 | 1.75±0.10 | 8.0±0.1 | 2.0±0.1 | 4.0±0.1 | 1.5 <sup>+0.1</sup> <sub>-0</sub> | 0.30±0.05 | 2.55±0.20 |

## ● Standard Reel Dimensions in mm (not to scale)





| Item      | A                    | B                | C                   | D                   | E       |
|-----------|----------------------|------------------|---------------------|---------------------|---------|
| Rate (mm) | $\phi 370.0 \pm 2.0$ | $\phi 50.0$ min. | $\phi 13.0 \pm 0.5$ | $\phi 21.0 \pm 1.0$ | 2.0±0.5 |

| Item      | W        | T | t          | r       |
|-----------|----------|---|------------|---------|
| Rate (mm) | 14.0±1.5 | — | 1.0 to 3.0 | 1.0±0.5 |

## Looking for pricing, stock, or lifecycle information?

Click below to explore more details on WIN SOURCE:

-  [View EVQ-PPDA25 on WIN SOURCE](#)
-  [Panasonic Information](#)

## Optimize Your Supply Chain with WIN SOURCE Solutions

-  Global Sourcing Solution
-  Obsolete Management
-  Cost Control Management
-  Shortage Management
-  Alternative Solution
-  Excess Inventory Management