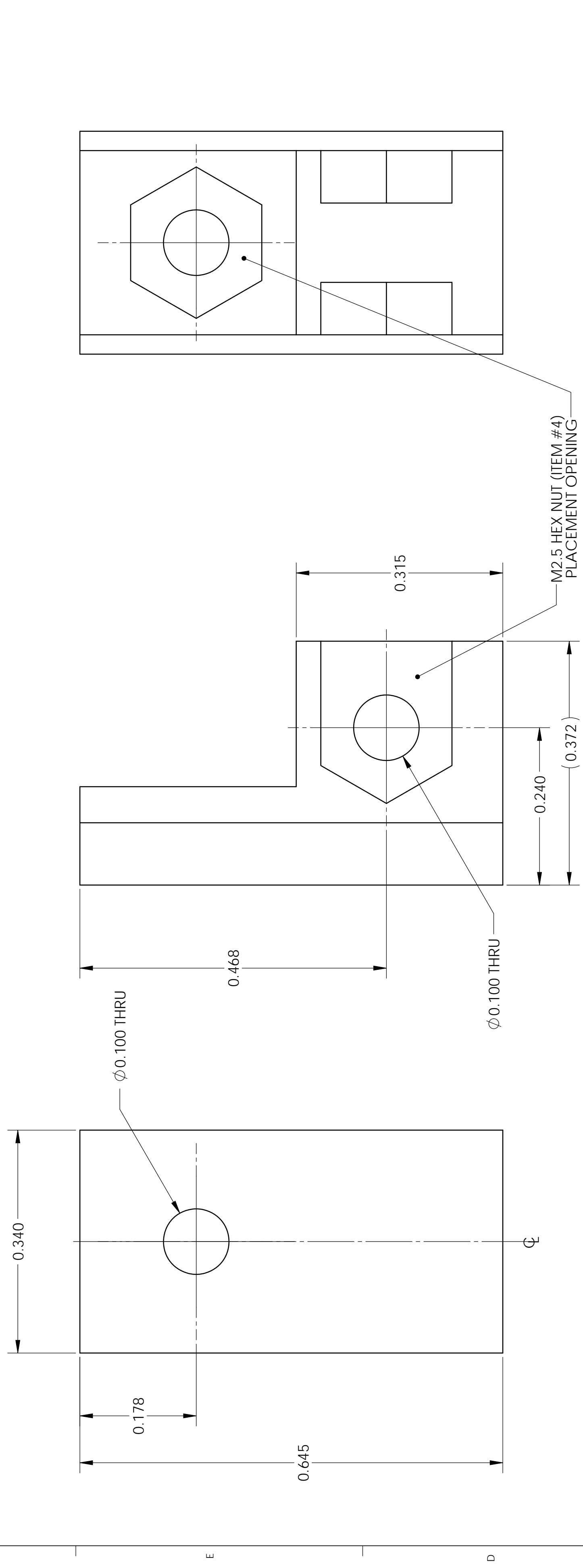




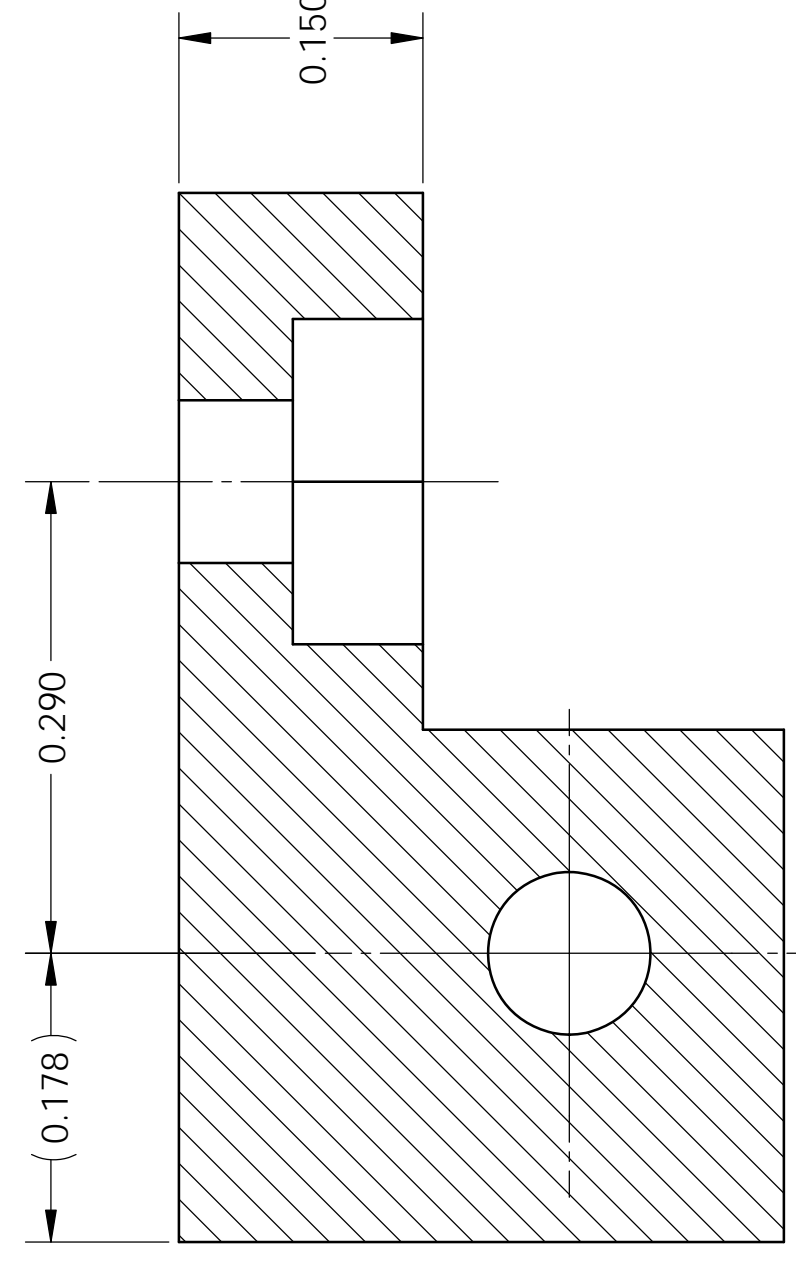
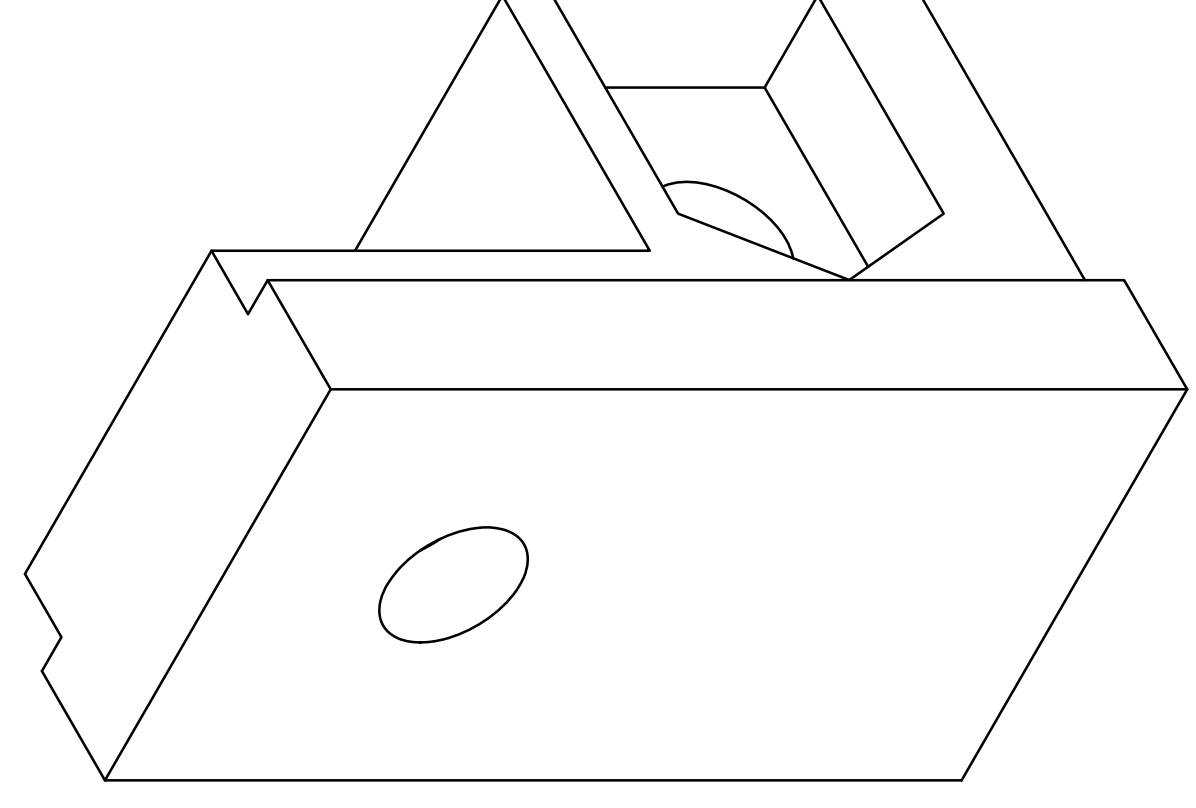
THE DATASHEET OF CM05



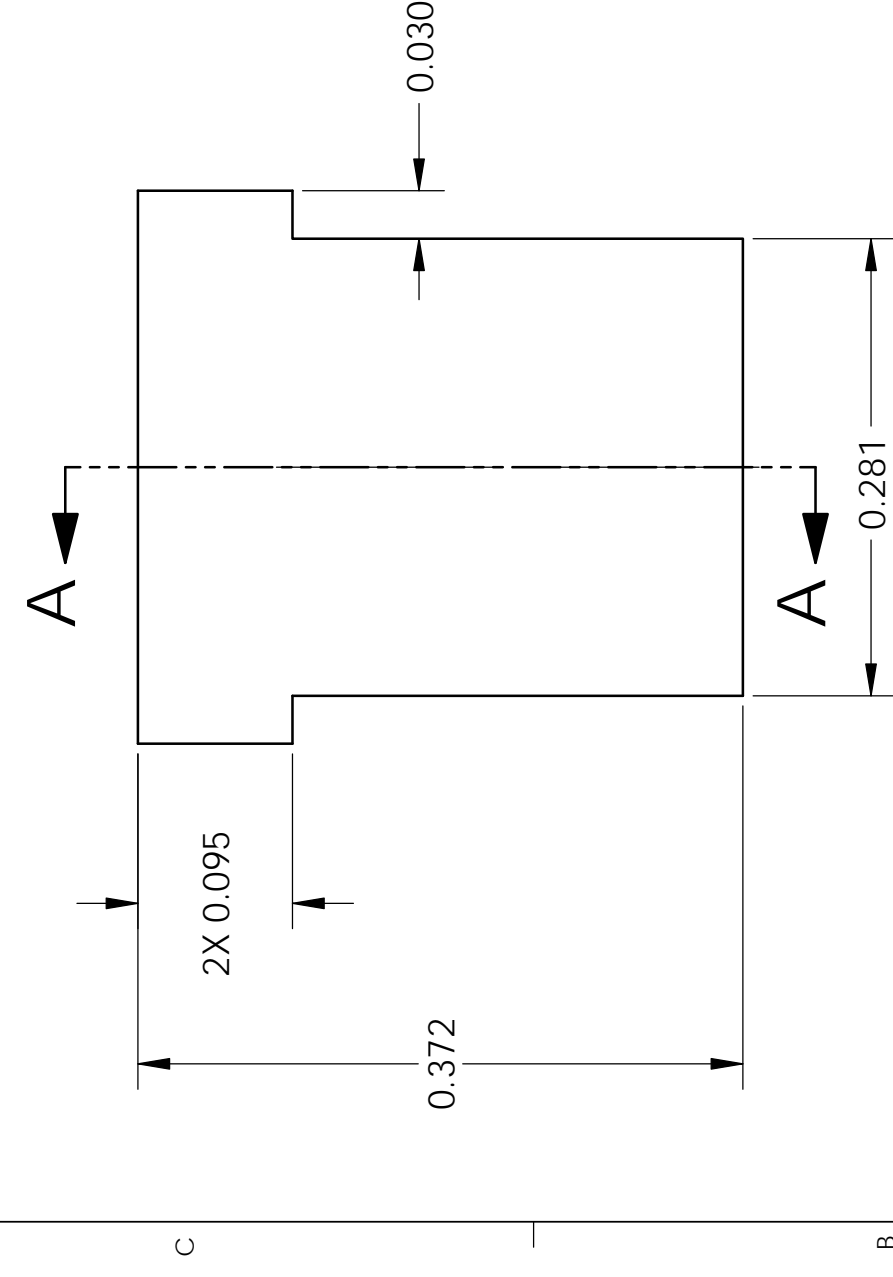


2X(2)
 (REQUIRES COUNTERSUNK HOLES ON FRONT PANEL)

2X(1)
 4X(4)



SECTION A-A



CENTER L-BRACKET DETAIL

①

HD102, CM05 AND CM05/100 PARTS LIST

ITEM NO	DESCRIPTION	PART NO	QTY REQ'D FOR P/N		U/M	
			HD102	CM05/CM05/100		
1	CENTER L-BRACKET, NYLON, BLACK	94300001	2	2	100	EACH
2	SCREW, FLAT HEAD, M2.5-0.45X8mm	95000003	2	-	100	EACH
3	SCREW, PAN HEAD, M2.5-0.45X10mm	88000106	2	2	100	EACH
4	HEX NUT, M2.5X0.45-6H	95000006	4	4	200	EACH
5	WASHER, SPLIT LOCK, #3	W3-1#	-	2	100	EACH

L-BRA

Looking for pricing, stock, or lifecycle information?

Click below to explore more details on WIN SOURCE:

[View CMOS on WIN SOURCE](#)

[Vector Electronics Information](#)

Optimize Your Supply Chain with WIN SOURCE Solutions

- ✓ Global Sourcing Solution
- ✓ Obsolete Management
- ✓ Cost Control Management
- ✓ Shortage Management
- ✓ Alternative Solution
- ✓ Excess Inventory Management