



# THE DATASHEET OF CER0255B



### Features

- High Rejection
- Low Loss

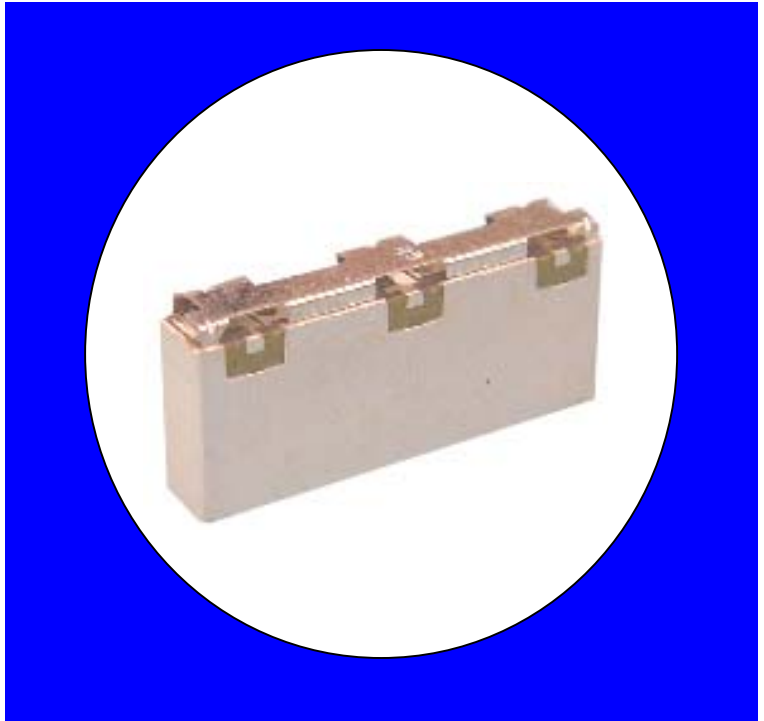
### Description

Surface mount, silver (Ag) coated neodymium ceramic duplexer.

Weight: 3.9 grams typical

Material: Filter is composed of a ceramic block plated with Ag and a shield made of nickel silver plated steel.

Filter complies with RoHS standards.



### Electrical Specifications

Parameter	Frequency (MHz)	Typical @ 25°C	Spec. @ 25°C	Spec. -30°C to +85°C
<b>Low Band Response</b>				
Passband Insertion Loss	896 - 902	2.5 dB	2.8 dB max	3.0 dB max
Passband Return Loss @ TX	896 - 902	13.5 dB	10.0 dB min	10.0 dB min
Passband Return Loss @ ANT	896 - 902	13.5 dB	10.0 dB min	10.0 dB min
Attenuation:	935 - 941	47.0 dB	45.0 dB min	45.0 dB min
	806 - 869	27.0 dB	25.0 dB min	25.0 dB min
<b>High Band Response</b>				
Passband Insertion Loss	935 - 941	2.5 dB	2.8 dB max	3.0 dB max
Passband Return Loss @ RX	935 - 941	13.5 dB	10.0 dB min	10.0 dB min
Passband Return Loss @ ANT	935 - 941	13.5 dB	10.0 dB min	10.0 dB min
Attenuation:	896 - 902	53.0 dB	50.0 dB min	50.0 dB min
Power into any port			3 Watt max	

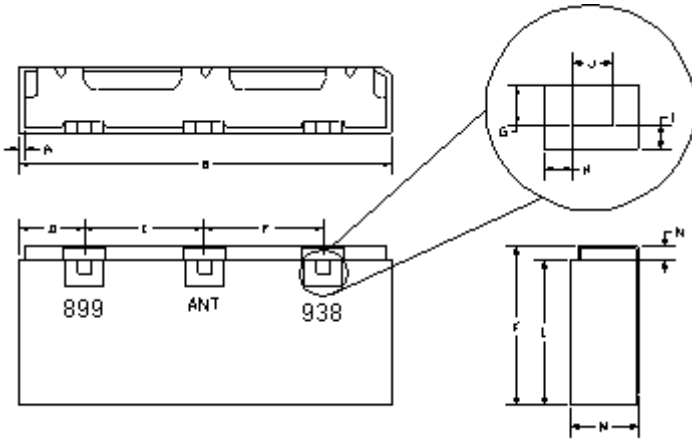
Note: Supplier shall test each filter to the critical electrical specifications of the above table. Any subsequent audits may deviate from in value due to measurement repeatability among different test systems. Such deviations shall not exceed the following limits:

Specification Allowance	
Insertion Loss	0.1 dB
Return Loss	1.0 dB
Stopbands	1.0 dB

\*This product is covered by one or more of the following U.S. and foreign patents including: US 4,692,726;US 4,742,562; US 4,800,348;US 4,829,274;US 5,146,193;EP 0573597;DE 0573597;FR 0573597;JP 508149/92;KR 142171;US 5,162,760;US 5,218,329;US 5,250,916;US 5,327,109;US 5,488,335;CA 2114029;FR 9306297;GB 2273393;JP 3205337;KR 115113;CN 93106228.4;US 5,512,866;EP 0706719;DE 0706719;FR 0706719;GB 0706719;CN 95190359.4;US 5,602,518;US 5,721,520;US 5,745,018;EP 0910875;DE 0910875;DK 0910875;FR 0910875;GB 0910875;IE 0910875;JP 505182/98;KR 10-323013;US 5,994,978;US 6,462,629;CN 00810420.4;US 6,559,735;US 6,650,202;US 6,834,429. Other US and foreign patents pending.

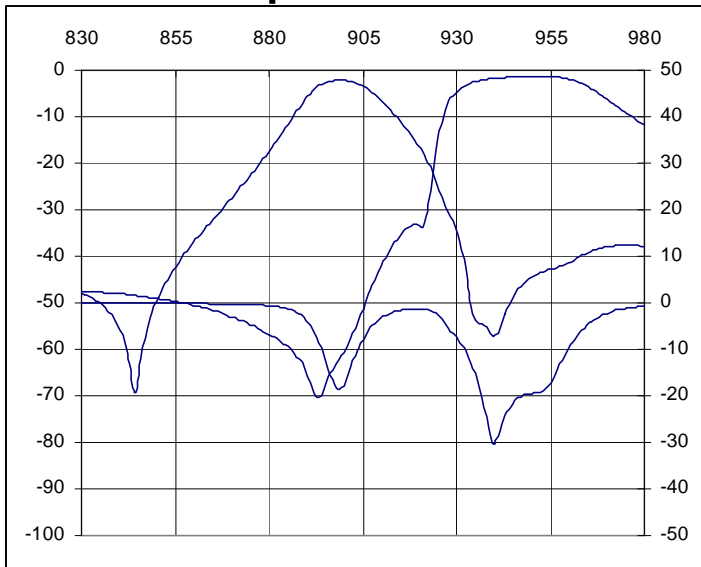
\*CTS Corporation 2006 reserves all copyrights in the layout, design and configuration of the patterns on this product.\*

### Mechanical Drawing

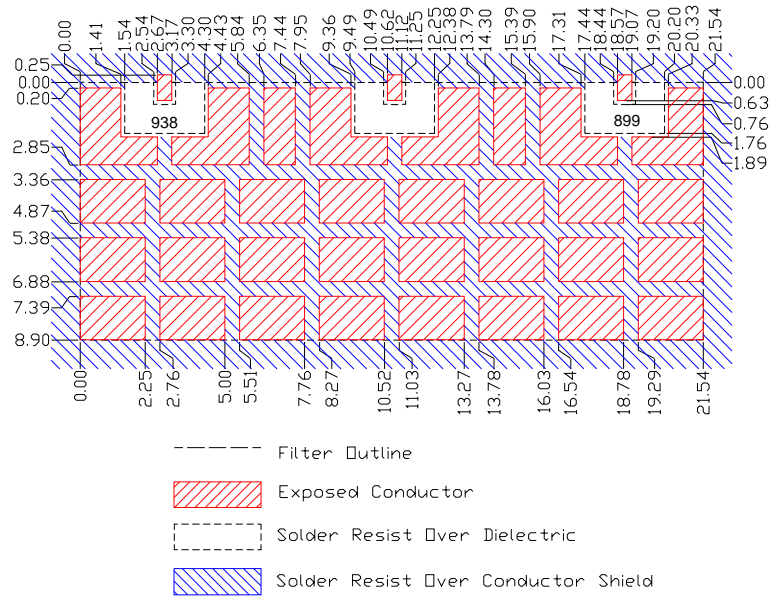


Dim	Nominal (mm)	Tolerance (mm) +/- or max
A		
B	21.54	max
C		
D	2.72	0.20
E	7.95	0.20
F	7.95	0.20
G	0.76	0.13
H	1.00	0.13
I	1.00	0.13
J	0.76	0.13
K	9.80	0.30
L	8.90	0.20
M	4.00	max
*N	0.80	0.13

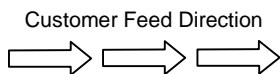
### Electrical response



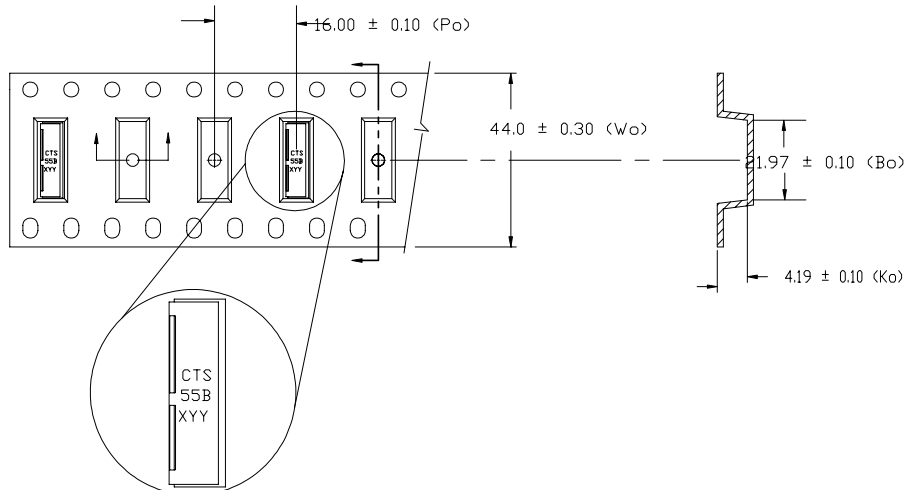
### PCB Layout



### Packaging and Marking



DIMENSION	UNITS	SPECIFICATION
REEL DIAMETER	mm	330
REEL WEIGHT	kg	2.6
REEL QUANTITY	ea.	500



## Looking for pricing, stock, or lifecycle information?

Click below to explore more details on WIN SOURCE:

- ⊖ [View CER0255B on WIN SOURCE](#)
- ⊖ [Tusonix a Subsidiary of CTS Electronic Components Information](#)

## Optimize Your Supply Chain with WIN SOURCE Solutions

- ✓ Global Sourcing Solution
- ✓ Obsolete Management
- ✓ Cost Control Management
- ✓ Shortage Management
- ✓ Alternative Solution
- ✓ Excess Inventory Management