



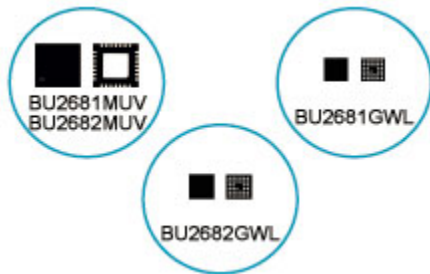
**THE DATASHEET OF
BU2682MUV-E2**



Part No. BU2682MUV-E2

Summary

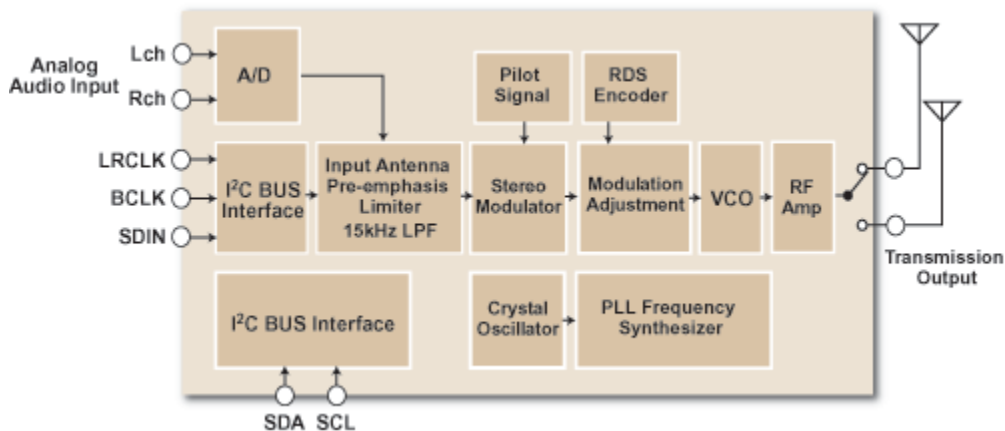
ROHM has been manufacturing FM transmitter ICs since 1984. Years of experience have allowed development of ICs capable of transmitting broadcast station-level quality audio along with text information such as the song title, artist name, and current song track on RDS-compatible FM radios.



Features

1. Broadcast station-level Hi-Fi stereo (S/N 70dB-Stereo separation 40dB-Distortion 0.1%)
2. Compatible with the GE/Zenith global standard FM broadcast format
3. High-performance LPF eliminates digital noise, resulting in high fidelity sound
4. Compatible with digital audio interface
5. Built-in high-performance digital transmitter allows stable transmission at all times
6. Equipped with encoder compliant with RDS (Radio Data System) / RBDS (Radio Broadcast Data System)
7. Capable of monaural broadcast switching

Block Diagram(BU2682MUV/BU2682GWL)





RDS-compatible Wireless Audio Link LSI Lineup

Part No.	BU2682MUV-E2
Supply voltage (V)	2.7 to 3.6
Audio input system	I ² C digital input / analog input
Transmission output level(dBm)	-14 to +9
Package(mm)	5.0x5.0x1.0

Looking for pricing, stock, or lifecycle information?

Click below to explore more details on WIN SOURCE:

-  [View BU2682MUV-E2 on WIN SOURCE](#)
-  [Rohm Semiconductor Information](#)

Optimize Your Supply Chain with WIN SOURCE Solutions

-  Global Sourcing Solution
-  Obsolete Management
-  Cost Control Management
-  Shortage Management
-  Alternative Solution
-  Excess Inventory Management