



**THE DATASHEET OF
BQ3050EVM-001**



bq3050EVM SBS 1.1 Compliant Advanced Gas Gauge Battery Management Solution EVM

The bq3050EVM is a complete evaluation system for the bq3050/bq29440 battery management system. This system includes one bq3050/bq29440 circuit module, a current sense resistor, four thermistors, and a link to Windows®-based PC software.

The circuit module includes one bq3050 IC, one bq29440 IC, and all other onboard components necessary to monitor and predict capacity, perform cell balancing, monitor critical parameters, protect the cells from overcharge, overdischarge, short circuit, and overcurrent in 2-series, 3-series, or 4-series cell Li-Ion or Li-Polymer battery packs. The circuit module connects directly across the cells in a battery.

With the EV2300 interface board and software, users can read the bq3050 data registers, program the chipset for different pack configurations, log cycling data for further evaluation, and evaluate the overall functionality of the bq3050/bq29440 solution under different charge and discharge conditions.

Contents

1	Features	2
2	bq3050 Device-Based Circuit Module	2
3	bq3050 Circuit Module Schematic	3
4	Circuit Module Physical Layouts and Bill of Materials	3
5	EVM Hardware and Software Setup	10
6	Troubleshooting Unexpected Dialog Boxes	10
7	Hardware Connection	10
8	Operation	12
9	Calibration Screen	14
10	Pro (Advanced) Screen	16
11	Related Documentation from Texas Instruments	17

List of Figures

1	bq3050EVM-001 Layout (Silk Screen)	4
2	Top Assembly	4
3	Top Layer	5
4	Inner Layer 1	5
5	Inner Layer 2	5
6	Bottom Layer	5
7	Bottom Assembly	6
8	Schematic	9
9	bq3050 Circuit Module Connection to Cells and System Load/Charger	11
10	SBS Data Screen	12
11	Data Flash Screen, 1st Level Safety Class	13
12	Calibration Screen	15
13	Pro (Advanced) Screen	16

List of Tables

1	Ordering Information	2
2	Bill of Materials	7

3	Performance Specification Summary	10
4	Circuit Module to EV2300 Connections	11

1 Features

- Complete evaluation system for the bq3050 SBS 1.1-compliant advanced gas gauge, bq3050 and bq29440 independent overvoltage protection integrated circuit (IC)
- Populated circuit module for quick setup
- Link to software that allows data logging for system analysis

1.1 Kit Contents

- bq3050/bq29440 circuit module
- Set of support documentation

1.2 Ordering Information

Table 1. Ordering Information

EVM PART NUMBER	CHEMISTRY	CONFIGURATION	CAPACITY
bq3050EVM-001	Li-Ion	2-series, 3-series, or 4-series cell	Any

2 bq3050 Device-Based Circuit Module

The bq3050/bq29440-based circuit module is a complete and compact example solution of a bq3050 circuit for battery management and protection of Li-Ion or Li-Polymer packs. The circuit module incorporates a bq3050 battery monitor IC, bq29440 independent overvoltage protection IC, and all other components necessary to accurately predict the capacity of 2-series, 3-series, or 4-series cells.

2.1 Circuit Module Connections

Contacts on the circuit module provide the following connections:

- Direct connection to the cells: 1N (BAT–), 1P, 2P, 3P, 4P (BAT+)
- To the serial communications port (SMBC, SMBD, VSS)
- The system load and charger connect across PACK+ and PACK–
- To the system present pin (SYS PRES)

2.2 Pin Descriptions

PIN NAME	DESCRIPTION
1N	–ve connection of first (bottom) cell
1P	+ve connection of first (bottom) cell
2P	+ve connection of second cell
3P	+ve connection of third cell
4P	+ve connection of fourth (top) cell
SMBC	Serial communication port clock
SMBD	Serial communication data port
VSS	Pack negative terminal
PACK–	Pack negative terminal
SYS PRES	System present pin (if low, system is present)
PACK+	Pack positive terminal

3 bq3050 Circuit Module Schematic

This section contains information on the schematic for the bq3050/bq29440 implementation.

3.1 Schematic

The schematic follows the bill of materials in this user's guide.

3.2 Choosing Particular Precharge Mode

The bq3050 contains an internal precharge FET; however, the default firmware configuration uses the Charge FET for precharge. To evaluate the internal precharge FET, change the least two significant bits in DF:Configuration:Charging Configuration to be 0,0. See the *bq3050 Technical Reference Manual (SLUU485)* for additional information.

3.3 Testing Fuse-Blowing Circuit

To prevent the loss of board functionality during the fuse-blowing test, the actual chemical fuse is not provided in the circuit. FET Q1 drives TP8 low if a fuse-blow condition occurs; monitoring TP8 can be used to test this condition.

4 Circuit Module Physical Layouts and Bill of Materials

This section contains the board layout, bill of materials, and assembly drawings for the bq3050/bq29440 circuit module.

4.1 Board Layout

This section shows the dimensions, PCB layers, and assembly drawing for the bq3050 module.

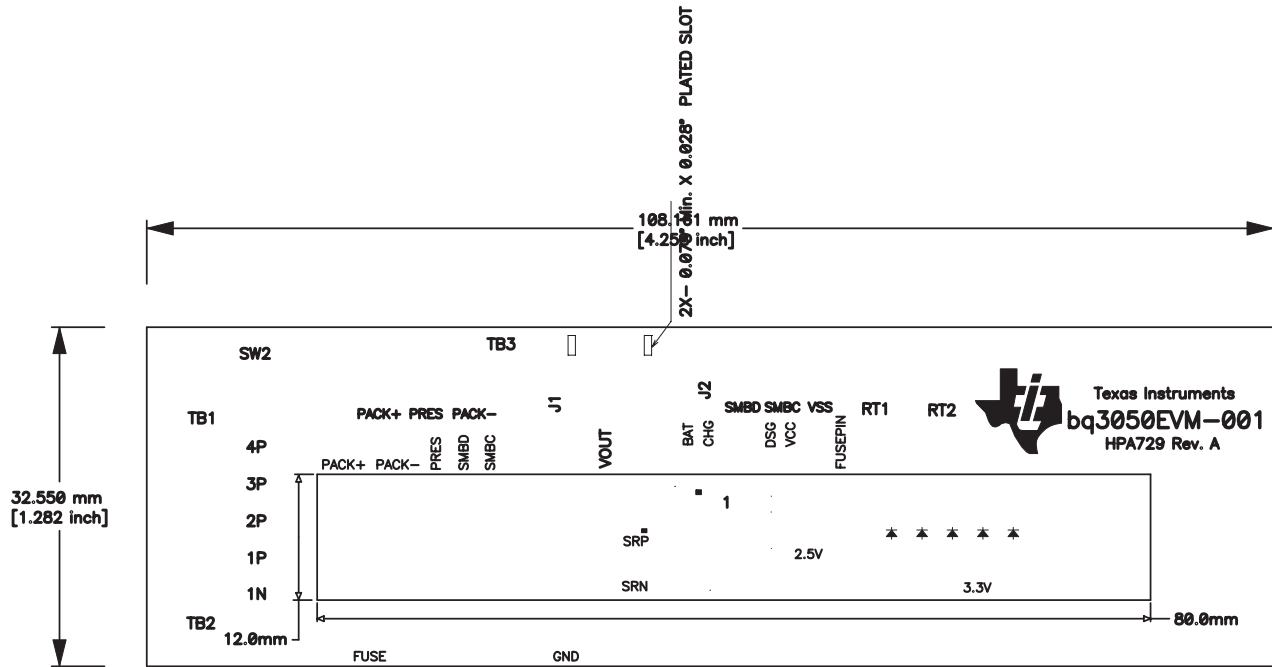


Figure 1. bq3050EVM-001 Layout (Silk Screen)

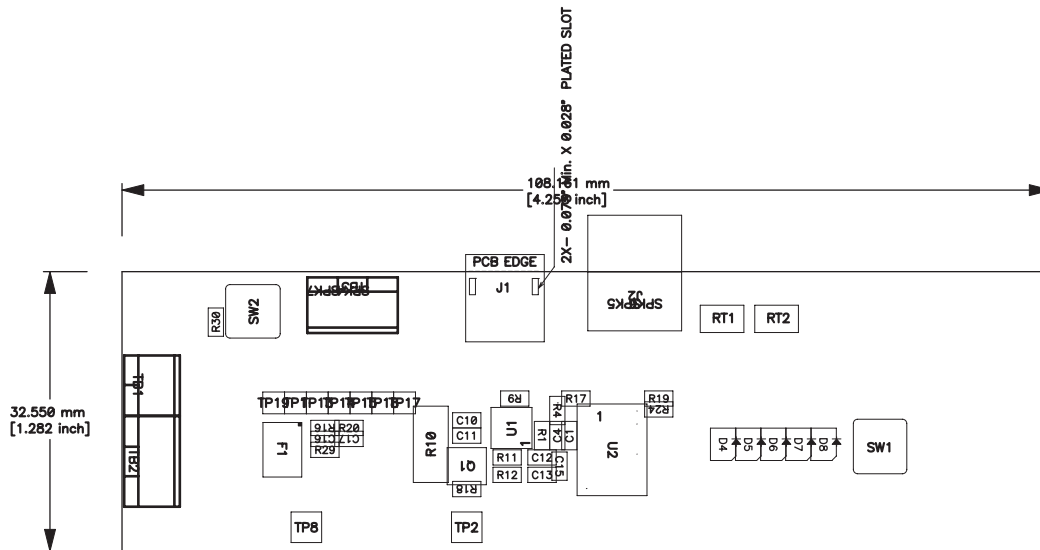


Figure 2. Top Assembly

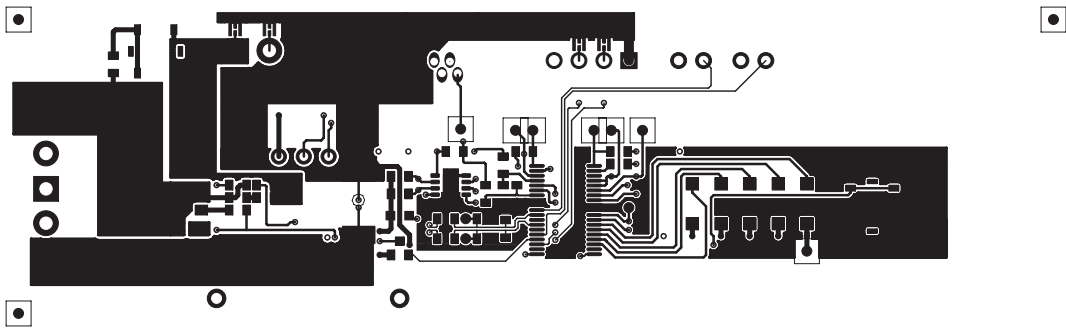


Figure 3. Top Layer

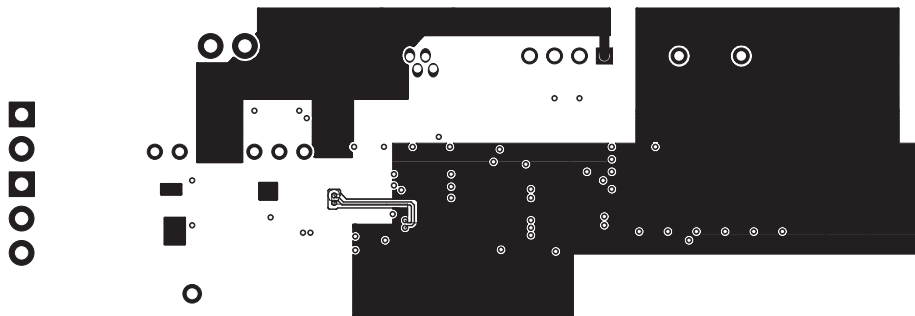


Figure 4. Inner Layer 1

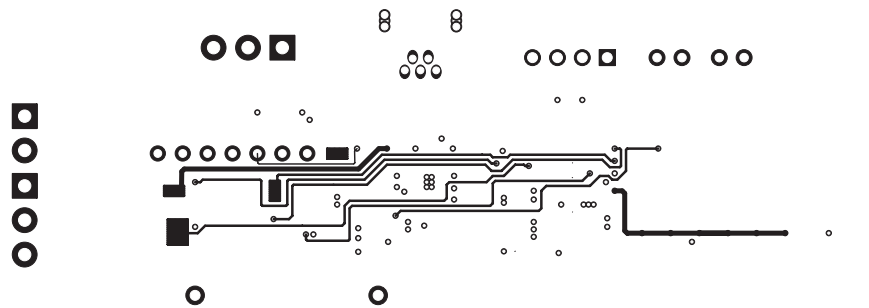


Figure 5. Inner Layer 2

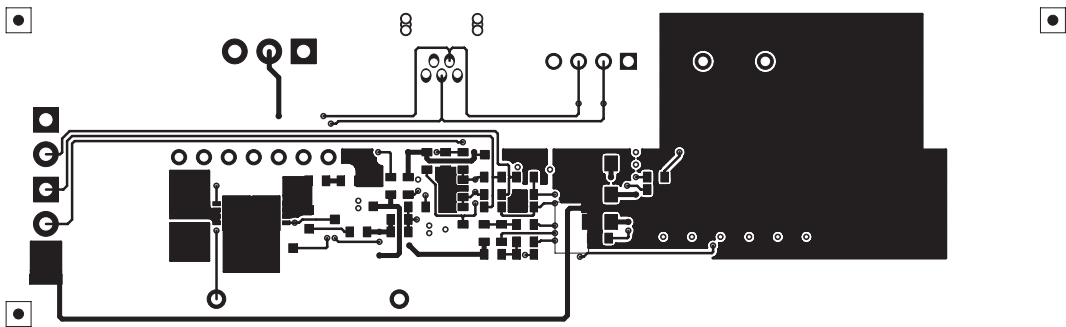


Figure 6. Bottom Layer

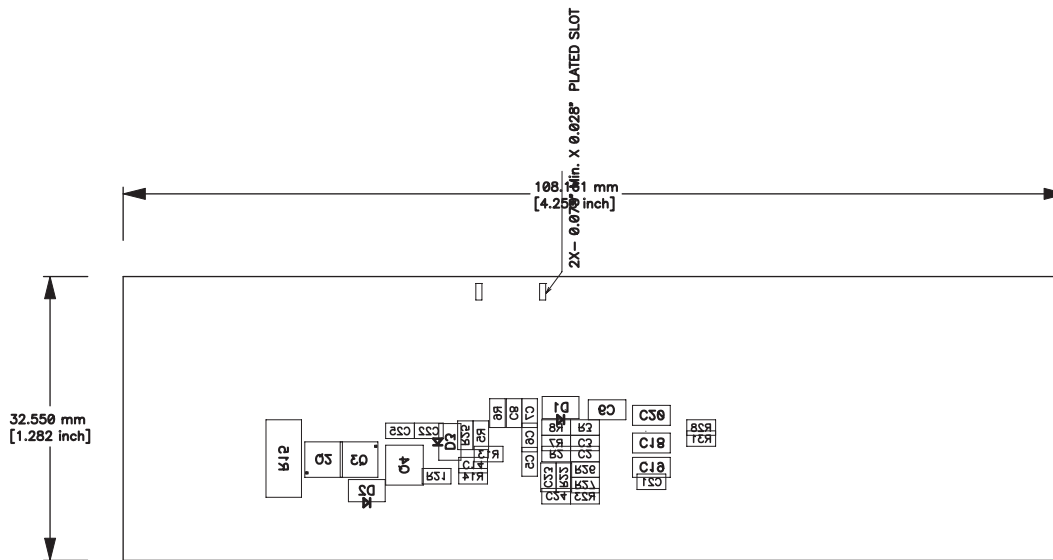


Figure 7. Bottom Assembly

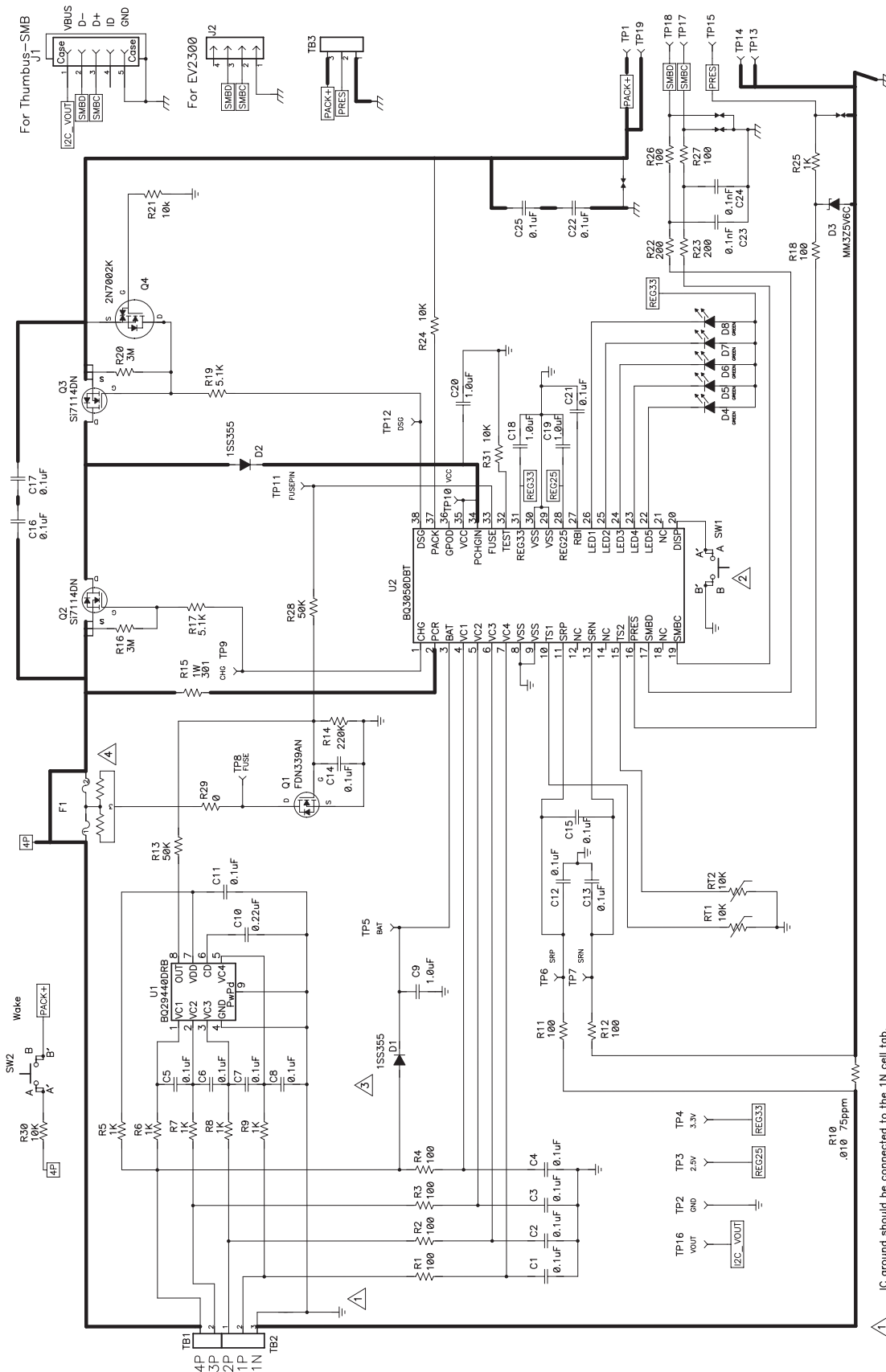
4.2 Bill of Materials

Table 2. Bill of Materials

Count	Reference Design	Value	Description	Size	Part Number	Manufacturer
18	C1, C2, C3, C4, C5, C6, C7, C8, C11, C12, C13, C14, C15, C16, C17, C21, C22, C25	0.1 μ F	Capacitor, Ceramic, 50 V, X7R, 20%	0603	Std	Std
1	C10	0.22 μ F	Capacitor, Ceramic, 25 V, X7R, 20%	0603	Std	Std
2	C23, C24	0.1 nF	Capacitor, Ceramic, 50 V, X7R, 20%	0603	Std	Std
4	C9, C18, C19, C20	1.0 μ F	Capacitor, Ceramic, 25 V, X7R, 20%	0805	Std	Std
2	D1, D2	1SS355	Diode, Switching, 90 V, 225 mA Ifm, High speed	SOD-323	1SS355TE-17	Rohm
1	D3	MM3Z5V6C	Diode, Zener, 5.6 V, 200 mw	SOD323	MM3Z5V6C	Fairchild
5	D4, D5, D6, D7, D8	LN1361C	Diode, LED, Green, Gullwing, GW Type, 20 ma, 7.5 mcd typ.	.120 * .087 inches	LN1361C	Panasonic
0	F1	Un-install	Fuse, Chemical, Thermal, xxA	SFDxxx	SFDxxxx	Sony
1	J1	56579-0519	Connector, USB, Mini AB 5-pins	0.354 X 0.307 Inches	56579-0519	Molex
1	J2	22-05-3041	Header, Friction Lock Ass'y, 4-pin Right Angle,	0.400 x 0.500	22-05-3041	Molex
1	Q1	FDN339AN	MOSFET, N-ch, 20-V, 3 A, 0.05 Ω	SOT23	FDN339AN	Fairchild
2	Q2, Q3	Si7114DN	MOSFET, Fast Switching, NChan, 30 V, 18.3 A, 7.5 m Ω	PWRPAK 1212	Si7114DN-T1-E3	Vishay
1	Q4	2N7002K	MOSFET, Nch, 60 V, 300 mA, 2 Ω	SOT23	2N7002K-T1-E3	Vishay
9	R1, R2, R3, R4, R11, R12, R18, R26, R27	100	Resistor, Chip, 1/16 W, 5%	0603	Std	Std
1	R10	0.01	Resistor, Chip, 75ppm, 1 W, 1%	2512	WSL-2512R0100FEA	Vishay
2	R13, R28	50K	Resistor, Chip, 1/16 W, 5%	0603	Std	Std
1	R14	220K	Resistor, Chip, 1/16 W, 5%	0603	Std	Std
1	R15	301	Resistor, Chip, 1 W, 1%	2512	CRCW2512301R FKEG	Vishay
2	R16, R20	3M	Resistor, Chip, 1/16 W, 5%	0603	Std	Std
2	R17, R19	5.1K	Resistor, Chip, 1/16 W, 5%	0603	Std	Std
1	R21	10k	Resistor, Chip, 1/16 W, 5%	0603	Std	Std
2	R22, R23	200	Resistor, Chip, 1/16 W, 5%	0603	Std	Std
3	R24, R30, R31	10K	Resistor, Chip, 1/16 W, 5%	0603	Std	Std
1	R29	0	Resistor, Chip, 1/16 W, 5%	0603	Std	Std

Table 2. Bill of Materials (continued)

Count	Reference Design	Value	Description	Size	Part Number	Manufacturer
6	R5, R6, R7, R8, R9, R25	1K	Resistor, Chip, 1/16 W, 5%	0603	Std	Std
2	RT1, RT2	10K	Thermistor	0.095 X 0.150	BN35-3H103 or 103AT-2	Mitsubishi Material or Semitec
2	SW1, SW2	EVQ-PLHA15	Switch, Push button, Momentary, 1P1T, 50 mA, 12 V	0.200 x 0.200 inch	EVQ-PLHA15	Panasonic
1	TB1	ED1514	Terminal Block, 2-pin, 6 A, 3.5 mm	0.27 x 0.25	ED555/2DS	OST
2	TB2, TB3	ED1515	Terminal Block, 3-pin, 6 A, 3.5 mm	0.41 x 0.25	ED555/3DS	OST
17	TP10, TP11, TP12, TP13, TP14, TP15, TP16, TP17, TP18, TP19, TP1, TP2, TP3, TP4, TP5, TP6, TP7, TP8, TP9		Test Point, White, Thru Hole Color Keyed	0.100 x 0.100 inch	5002	Keystone
1	U1	BQ29440DRB	IC, Voltage Protection with Automatic Cell Balance for 2-, 3-, or 4-Cell Li-Ion Batteries (2nd-Level Protection)	VSON	BQ29440DRB	TI
1	U2	BQ3050DBT	IC, 2-, 3-, and 4-Series Battery Pack Manager	TSSOP-38 (DBT)	BQ3050DBT	TI
1	—		PCB	108.161 x 32.550 mm	HPA729	Std
Notes:	1. These assemblies are ESD sensitive, ESD precautions shall be observed.					
	2. These assemblies must be clean and free from flux and all contaminants. Use of no clean flux is not acceptable.					
	3. These assemblies must comply with workmanship standards IPC-A-610 Class 2.					
	4. Ref designators marked with an asterisk (***) cannot be substituted. All other components can be substituted with equivalent MFG's components.					
	5. Assembly instruction for SW1: pay attention to its orientation					
	6. Make one SMBus connector wire assembly for each assembly produced, from J1 mate, 4–24 Awg wires and Crimp terminals. Wire colors for Pin numbers are listed below. The wire assembly shall have a J1 mate on each end. Red—Pin # 4 (Signal USB_5V) Brown—Pin # 3 (Signal SDA) White—Pin # 2 (Signal SCL) Black—Pin # 1 (GND)					



- 1 IC ground should be connected to the 1N cell tab.
- 2 Assembly instruction for SW1: pay attention to its orientation
- 3 A schottky diode can be use for D2 application to allow additional voltage be seen on the BAT pin
- 4 Not installed

Figure 8. Schematic

4.3 **bq3050/bq29440 Circuit Module Performance Specification Summary**

This section summarizes the performance specifications of the bq3050/bq29440 circuit module.

Table 3. Performance Specification Summary

Specification	Min	Typ	Max	Units
Input voltage Pack+ to Pack–	5	15	25	V
Charge and discharge current	0	2	7	A

5 **EVM Hardware and Software Setup**

This section describes how to install the bq3050EVM-001 PC software, and how to connect the different components of the EVM.

5.1 **System Requirements**

The bq3050EVSW requires Windows 2000, XP, Vista, or 7.

5.2 **Software Installation**

NOTE: To get the latest software archive, contact the Texas Instruments field representative assigned to work with this device.

To install the bq3050EVSW software, do the following:

1. Save the archive to a temporary directory.
2. Double-click on the executable filename, and follow the installer instructions to complete the bq3050 EVSW installation.
If the EV2300 was not previously installed: After bq3050 EVSW installation, a TI USB DRIVER INSTALLER pops up. Click **Yes** for the agreement message and follow its instructions.
3. Plug the EV2300 into a USB port.

6 **Troubleshooting Unexpected Dialog Boxes**

Users downloading the files must be logged in as the administrator, or must have privileges to install new programs.

The driver is not signed, so the administrator must allow installation of unsigned drivers in the operating system policy.

7 **Hardware Connection**

The bq3050EVM-001 comprises two hardware components: the bq3050/bq29440 circuit module and the EV2300 PC interface box.

7.1 **Connecting the bq3050/bq29440 Circuit Module to a Battery Pack**

[Figure 9](#) shows how to connect the bq3050/bq29440 circuit module to the cells and system load/charger.

The cells must be connected in the following order:

1. 4-Cell Pack: 1N (BAT–), 1P, 2P, 3P, then 4P (see [Section 2.2](#) for definitions).
2. 3-Cell Pack: 1N (BAT–), 1P, 2P, and then connect 4P and 3P together.
3. 2-Cell Pack: 1N (BAT–), 1P, and then connect 4P, 3P, and 2P together.

To start charge or discharge test, connect SYS PRES pin to Pack– pin to set SYS PRES state. To test sleep mode, disconnect the SYS PRES pin.

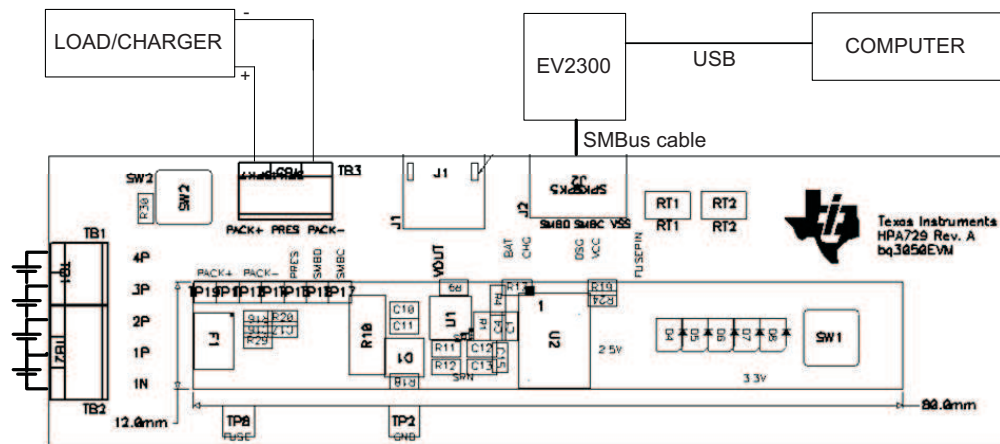


Figure 9. bq3050 Circuit Module Connection to Cells and System Load/Charger

7.2 PC Interface Connection

To configure the hardware to interface to the PC, do the following:

1. Connect the bq3050 device-based smart battery to the EV2300 using the provided cable or the connections shown in [Table 4](#).

Table 4. Circuit Module to EV2300 Connections

bq3050 Device-Based Battery	EV2300
SMBD	SMBD
SMBC	SMBC
VSS	GND

2. Connect the PC USB cable to the EV2300 and the PC USB port.

The bq3050EVM-001 is now set up for operation.

8 Operation

This section details the operation of the bq3050 EVSW software.

NOTE: The EV2300 driver does not support Windows Sleep or Hibernate states. If communicating with the EV2300 or the EVM presents a problem, unplug the USB cable and then plug it back in. If the problem continues, determine if the EVM is in Shutdown mode. The bq3050 can be awakened by momentarily pressing SW2 if cell voltage is present.

8.1 Starting the Program

With the EV2300 and the bq3050EVM connected to the computer, run bq3050 EVSW from the Desktop Icon or Start | All Programs | Texas Instruments | bq Evaluation Software menu sequence. The *SBS Data Screen* appears. Data begins to appear once the **Refresh** (single time scan) button is clicked, or when the **Keep Scanning** check box is checked. To disable the scan feature, deselect **Keep Scanning**.

The continuous scanning period can be set via the *Options* and *Set Scan Interval* menu selections. The range for this interval is 0 ms to 65535 ms. Only items that are selected for scanning are scanned within this period.

The bq3050 EVSW provides a logging function that logs the values that were last scanned by EVSW. To enable this function, click the **Start Logging** button; this causes the **Keep Scanning** button to be selected. When logging is *Stopped*, the **Keep Scanning** button is still selected and has to be manually unchecked.

The logging interval is specified under the *Options* menu with the maximum value of 65535 ms. The *Log* interval cannot be smaller than the scan interval because this results in the same value being logged at least twice.

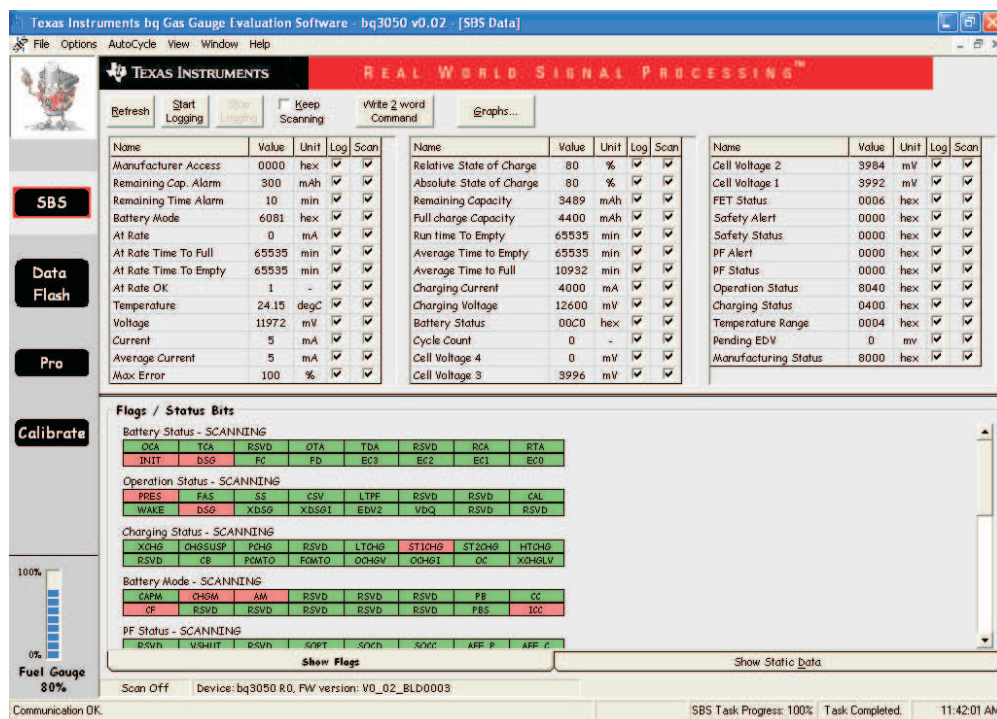


Figure 10. SBS Data Screen

This screen shows the SBS data set along with additional ManufacturersAccess() command information, such as individual cell measurements. Additional Flag and Static data can be viewed by selecting the appropriate tab at the bottom of the SBS screen.

Data such as SBS.ManufacturerName() is static and does not change. This data is viewed separately using the *Static Data* tab at the bottom of the screen.

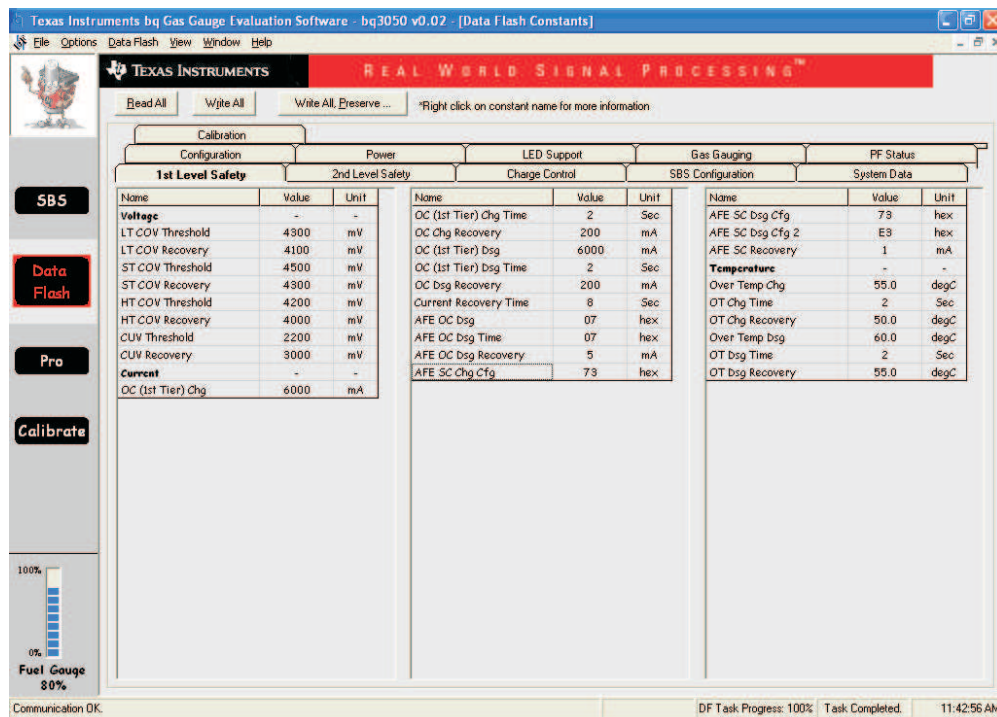
Dragging the splitter bar (line that separates the Flags/Static data from SBS values) changes the height of the *Flags/Static Data* display. Selecting **View** then **Auto Arrange** returns the splitter bar to its original location.

8.2 Setting Programmable bq3050 Options

The bq3050 data flash comes configured per the default settings detailed in the bq3050 data sheet. Ensure that the settings are correctly changed to match the pack and application for the bq3050 solution being evaluated.

IMPORTANT: To get the best performance, it is essential to correctly set these options.

Use the *Data Flash Screen* to configure the settings.



The screenshot shows the 'Data Flash Constants' screen in the Texas Instruments bq Gas Gauge Evaluation Software. The window title is 'Texas Instruments bq Gas Gauge Evaluation Software - bq3050 v0.02 - [Data Flash Constants]'. The interface includes a menu bar (File, Options, Data Flash, View, Window, Help) and a toolbar with buttons for 'Read All', 'Write All', and 'Write All, Preserve...'. Below the toolbar, there are tabs for 'Calibration', 'Configuration', 'Power', 'LED Support', 'Gas Gauging', and 'PF Status'. The 'Configuration' tab is active, showing three sub-tables: '1st Level Safety', '2nd Level Safety', and 'System Data'. The '1st Level Safety' table lists parameters like Voltage, LT COV Threshold, and HT COV Threshold. The '2nd Level Safety' table lists parameters like OC (1st Tier) Chg Time and AFE OC Dsg. The 'System Data' table lists parameters like AFE SC Dsg Cfg and Temperature. A 'Fuel Gauge' indicator shows 80% charge. The status bar at the bottom indicates 'Communication OK', 'DF Task Progress: 100%', 'Task Completed.', and the time '11:42:56 AM'.

Figure 11. Data Flash Screen, 1st Level Safety Class

To read all the data from the bq3050 data flash, click on menu option | **Data Flash** | **Read All** |.

To write to a data flash location, click on the desired location, enter the data, and click **Enter**, which writes the entire tab of flash data, or select menu option | **Data Flash** | **Write All** |. The data flash must be read before any writes are performed to avoid any incorrect data being written to the device.

The | **File** | **Special Export** | menu options allows the data flash to be exported.

The data flash configuration can be saved to a file by selecting | **File** | **Export** |, and entering a file name. A data flash file also can be retrieved in this way, imported, and written to the bq3050 using the **Write All** button.

The configuration information of the bq3050 data is held in the data flash.

The bq3050 allows for an automatic data flash export function, similar to the **SBS Data logging** function. This feature, when selected via | **Options** | **Auto Export** |, exports data flash to a sequential series of files named as *FilenameNNNNN.gg* where N = a decimal number from 0 to 9.

The AutoExport interval is set under the | **Options menu** | with a minimum value of 15 seconds. The AutoExport filename is set under the | **Options menu** |.

When a check is next to | **AutoExport** |, the AutoExport is in progress. The same menu selection is used to turn on/off AutoExport.

If the data flash screen is blank, then the bq3050 that is being used may not be supported by the bqEVSW version that is being used. An upgrade may be required.

9 Calibration Screen

9.1 How to Calibrate

The bq3050 must be calibrated using power supplies or a power supply and cell simulation resistors (300 Ω or less) before cells are attached. Before the bq3050 is calibrated:

- Connect and measure a 2-A current source from 1N (–) and Pack (–) to calibrate without using the FETs (calibration using the FETs is not recommended).
- Measure each cell voltage.
- Measure the temperature of the pack.
- Whether the foregoing steps are necessary depends on the type of calibration being performed.

9.2 To Calibrate the bq3050

To calibrate the bq3050, do the following:

- Select the types of calibration to be performed.
- Enter the measured values for the types selected (except for *CC Offset Calibration*).
- If *Temperature Calibration* is selected, select the sensor that is to be calibrated.
- Click the appropriate button to initiate the desired calibration.

9.3 Board Offset Calibration

This performs the offset calibration for the current offset of the board.

Remove any current source, load, or external voltage from the PACK terminals.

Click the **Software Board Offset Calibration** button.

9.4 Pack Voltage Calibration

This calibrates the voltage at the AFE Pack pin.

Ensure that *Voltage Calibration* has been performed for the pack. If *Voltage Calibration* is not performed, then *Pack Voltage Calibration* calibrates incorrectly.

Remove load/external voltage applied between Pack+ and Pack–.

Click the **Pack Voltage** button to calibrate.

Voltage and Temperature Calibration

Voltage: Enter actual cell voltages using stack ground as reference. Cell count is determined by reading CC1 and CC0 bits in System Configuration. Only cells in use considered. Check voltage calibration checkbox.

Temperature: Enter actual sensor temperatures. Check checkboxes that apply. Click Voltage/Temperature calibration button to calibrate.

Measured voltage	Enter actual voltage	Cell Count
3932 mV	4000 mV	
7976 mV	8000 mV	
11972 mV	12000 mV	
11972 mV	16000 mV	
10781 mV	12000 mV	

Ensure voltage reference is stable. Calibration with cells connected is not recommended unless cells are in a state of rest. If using resistors simulating cells, resistance must be less than 300 ohms. Configured number of cells in Datasheet available for calibration only. Battery voltage is usually top stack voltage.

Measured temperature: 24 °C, 23.8 °C

Enter actual temperature: °C, °C

Pack Calibration

Measured voltage	Enter actual voltage
10026 mV	12000 mV

Raw Calibration Datasheet Values

Parameter	Value
Cell Scale 0	20500
Cell Scale 1	20500
Cell Scale 2	20500
Cell Scale 3	20500
Pack Gain	44100
Battery Gain	44100
CC Gain	0.942
Capacity Gain	280932.625
Current Offset	-7744
CC Offset Samples	64
Board Offset	0
Int Temp Offset	0
Ext 1 Temp Offset	0
Ext 2 Temp Offset	0

DF Task Progress: 100% | Task Completed. | 11:44:21 AM

Figure 12. Calibration Screen

10 Pro (Advanced) Screen

10.1 SMB Communication

The set of read/write operations over SMBus are not specific to any gas gauge. These are provided as general-purpose communication tools.

10.2 Hex/Decimal Converter

The *Hexadecimal Value* and *Decimal Value* boxes convert between hexadecimal (hex) and decimal as soon as values are typed into the boxes. Invalid values can cause erroneous results.

When scaling converted hex values to a higher number of bytes, follow these rules:

- When *Unsigned* is selected, the left pad contains zeroes.
- When *Signed* is selected, the left pad contains zeroes for a positive number, or the left pad contains *F* for negative numbers.

10.3 Reprogramming

To reprogram the device, do the following:

- Ensure that the gauge is in Full Access mode.
- Use the **Write SMB Word** feature to put the gauge into ROM mode (0x0F00 to cmd 0x00).
- Use the **Srec** programming feature to browse for the desired .srec or .senc file then click the **Program** button to start the transfer.
- Use the **SMB Command** feature to send 0x08 to execute the program.

If the firmware version was updated, close and re-launch the EVSW to synchronize the tool with the new firmware.

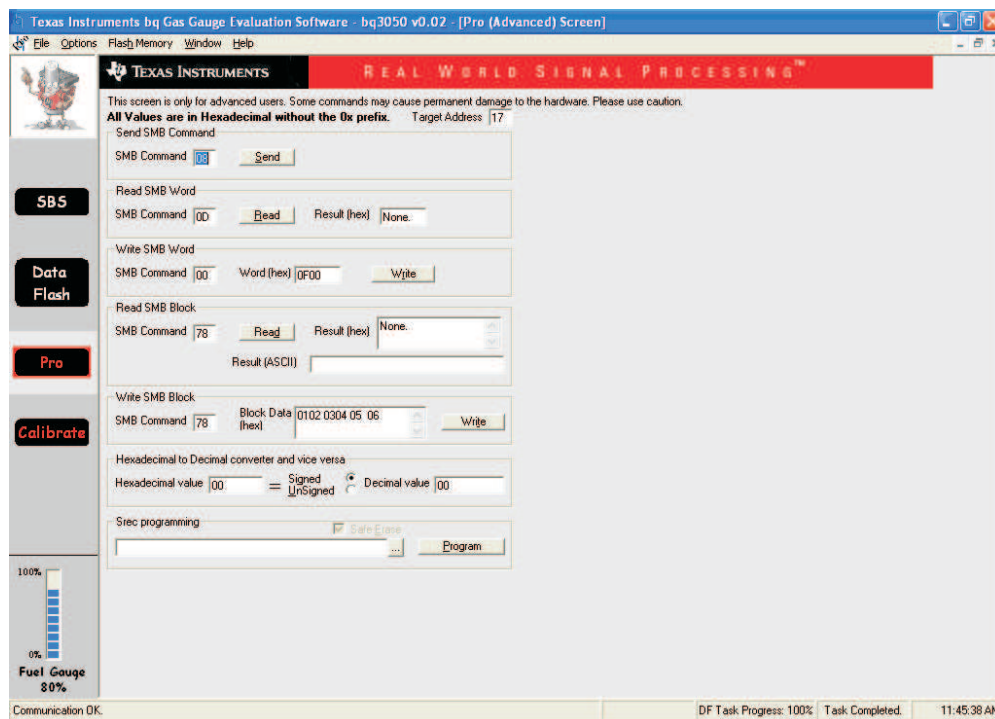


Figure 13. Pro (Advanced) Screen

11 Related Documentation from Texas Instruments

For related documentation, contact the Texas Instruments field representative assigned to work with this device.

Documents:

*bq3050 SBS 1.1-Compliant Gas Gauge With Impedance
Track™ Data Sheet*
bq3050 Technical Reference Manual

Literature Number:

[SLUSA92](#)
[SLUU485](#)

Revision History

Changes from Original (November 2011) to A Revision	Page
• Changed Reprogramming section	16
• Changed input voltage range	19

NOTE: Page numbers for previous revisions may differ from page numbers in the current version.

EVALUATION BOARD/KIT IMPORTANT NOTICE

Texas Instruments (TI) provides the enclosed product(s) under the following conditions:

This evaluation board/kit is intended for use for **ENGINEERING DEVELOPMENT, DEMONSTRATION, OR EVALUATION PURPOSES ONLY** and is not considered by TI to be a finished end-product fit for general consumer use. Persons handling the product(s) must have electronics training and observe good engineering practice standards. As such, the goods being provided are not intended to be complete in terms of required design-, marketing-, and/or manufacturing-related protective considerations, including product safety and environmental measures typically found in end products that incorporate such semiconductor components or circuit boards. This evaluation board/kit does not fall within the scope of the European Union directives regarding electromagnetic compatibility, restricted substances (RoHS), recycling (WEEE), FCC, CE or UL, and therefore may not meet the technical requirements of these directives or other related directives.

Should this evaluation board/kit not meet the specifications indicated in the User's Guide, the board/kit may be returned within 30 days from the date of delivery for a full refund. **THE FOREGOING WARRANTY IS THE EXCLUSIVE WARRANTY MADE BY SELLER TO BUYER AND IS IN LIEU OF ALL OTHER WARRANTIES, EXPRESSED, IMPLIED, OR STATUTORY, INCLUDING ANY WARRANTY OF MERCHANTABILITY OR FITNESS FOR ANY PARTICULAR PURPOSE.**

The user assumes all responsibility and liability for proper and safe handling of the goods. Further, the user indemnifies TI from all claims arising from the handling or use of the goods. Due to the open construction of the product, it is the user's responsibility to take any and all appropriate precautions with regard to electrostatic discharge.

EXCEPT TO THE EXTENT OF THE INDEMNITY SET FORTH ABOVE, NEITHER PARTY SHALL BE LIABLE TO THE OTHER FOR ANY INDIRECT, SPECIAL, INCIDENTAL, OR CONSEQUENTIAL DAMAGES.

TI currently deals with a variety of customers for products, and therefore our arrangement with the user **is not exclusive.**

TI assumes **no liability for applications assistance, customer product design, software performance, or infringement of patents or services described herein.**

Please read the User's Guide and, specifically, the Warnings and Restrictions notice in the User's Guide prior to handling the product. This notice contains important safety information about temperatures and voltages. For additional information on TI's environmental and/or safety programs, please contact the TI application engineer or visit www.ti.com/esh.

No license is granted under any patent right or other intellectual property right of TI covering or relating to any machine, process, or combination in which such TI products or services might be or are used.

FCC Warning

This evaluation board/kit is intended for use for **ENGINEERING DEVELOPMENT, DEMONSTRATION, OR EVALUATION PURPOSES ONLY** and is not considered by TI to be a finished end-product fit for general consumer use. It generates, uses, and can radiate radio frequency energy and has not been tested for compliance with the limits of computing devices pursuant to part 15 of FCC rules, which are designed to provide reasonable protection against radio frequency interference. Operation of this equipment in other environments may cause interference with radio communications, in which case the user at his own expense will be required to take whatever measures may be required to correct this interference.

EVM WARNINGS AND RESTRICTIONS

It is important to operate this EVM within the input voltage range of 5 V to 25 V and the output voltage range of 0 V to 16.4 V.

Exceeding the specified input range may cause unexpected operation and/or irreversible damage to the EVM. If there are questions concerning the input range, please contact a TI field representative prior to connecting the input power.

Applying loads outside of the specified output range may result in unintended operation and/or possible permanent damage to the EVM. Please consult the EVM User's Guide prior to connecting any load to the EVM output. If there is uncertainty as to the load specification, please contact a TI field representative.

During normal operation, some circuit components may have case temperatures greater than 60°C. The EVM is designed to operate properly with certain components above 60°C as long as the input and output ranges are maintained. These components include but are not limited to linear regulators, switching transistors, pass transistors, and current sense resistors. These types of devices can be identified using the EVM schematic located in the EVM User's Guide. When placing measurement probes near these devices during operation, please be aware that these devices may be very warm to the touch.

Mailing Address: Texas Instruments, Post Office Box 655303, Dallas, Texas 75265
Copyright © 2009–2011, Texas Instruments Incorporated

Looking for pricing, stock, or lifecycle information?

Click below to explore more details on WIN SOURCE:

 [View BQ3050EVM-001](#) on WIN SOURCE

 [Texas Instruments](#) Information

Optimize Your Supply Chain with WIN SOURCE Solutions

-  Global Sourcing Solution
-  Obsolete Management
-  Cost Control Management
-  Shortage Management
-  Alternative Solution
-  Excess Inventory Management