



# THE DATASHEET OF AHI02510

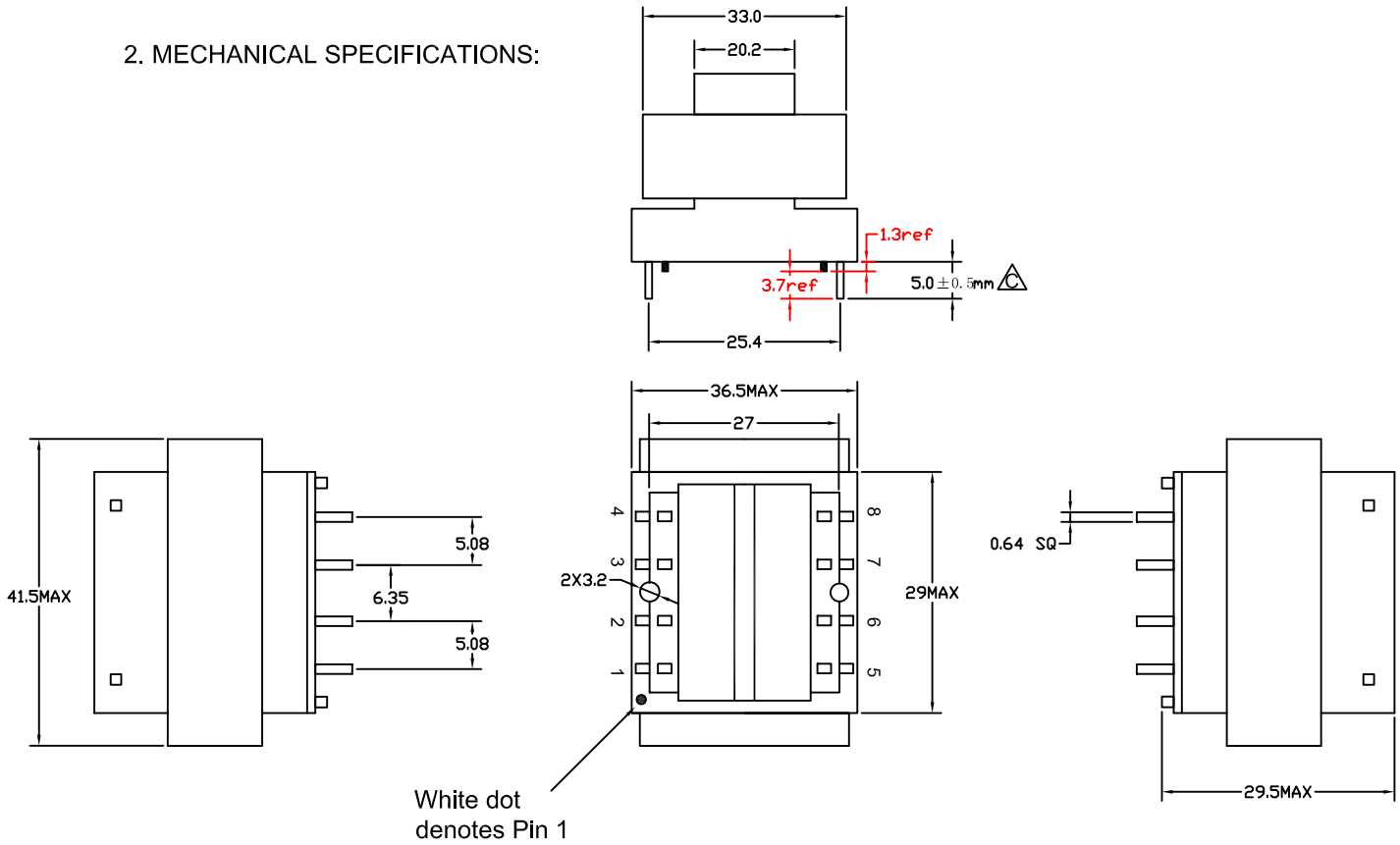


TRANSFORMER, POWER, PCB 2.5VA INTERNATIONAL SERIES  
 DUAL 115/230V PRIMARIES AND DUAL SECONDARIES

1. ELECTRICAL SPECIFICATIONS:

- A. Input Voltage and Frequency: 115/230V± @ 50/60 Hz
- B. Secondary Voltage: See Electrical Table
- C. Temperature Rise: 85° C MAX allowed.
- D. Insulation Resistance:
  - 100M OHM MIN @ 500VDC PRI to SEC, PRI to CORE
  - 100M OHM MIN @ 500VDC SEC to CORE
- E. Hi-Pot: 4200Vrms 1 minute @ PRI to SEC  
 4200Vrms 1 minute @ PRI to CORE  
 4200Vrms 1 minute @ SEC to CORE
- F. Safety:
  - Insulation System Designation ZM130-7, Class B, UL File No.177235
  - UL1585, Class 2, 3, US and Canada, UL File No.E214561
  - CE Declaration of Conformity:
  - IEC EN61558-1, UL1585 Class 2, 3

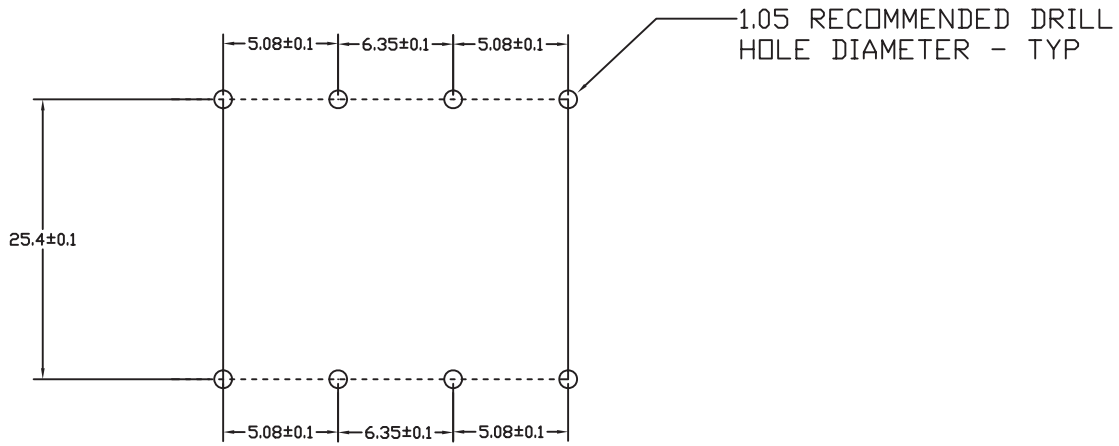
2. MECHANICAL SPECIFICATIONS:



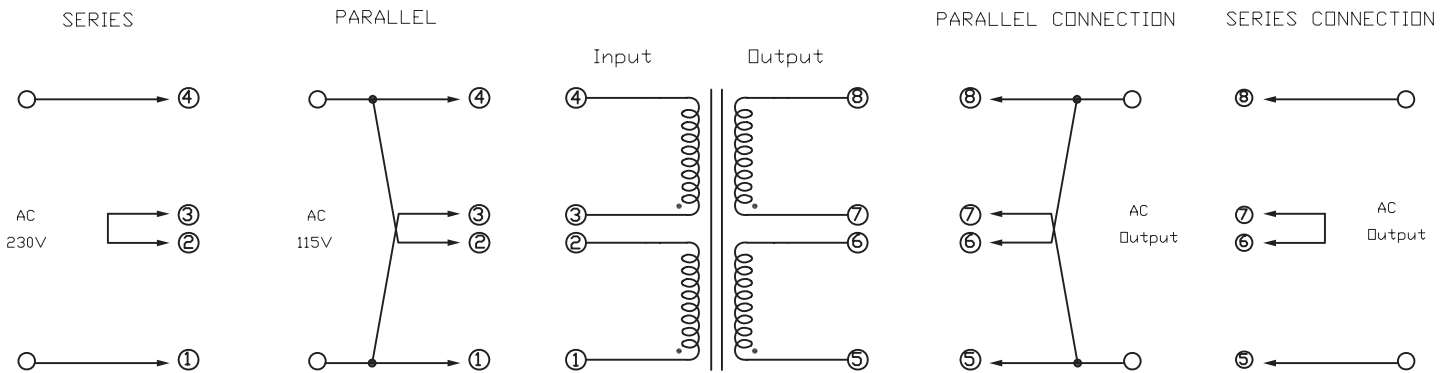
C	Pin length 4.75mm change to 5.0±0.5mm	Chenmin	Apr 01, 2014
B	SAFETY	Winston	July 22, 2004
A	CREATED DRAWING	ZHENG	Aug 23,2002
REV.	DESCRIPTION	DRAWN	DATE(M/D/Y)

TOLERANCE		SCALE NOT 1:1	UNIT mm	DATE (M/D/Y)	MODEL DESCRIPTION	
X	±0.3	DRAWN	ZHENG	Oct 29, 2002	<b>ZETTLER MAGNETICS</b>	MATERIAL Class B 130° C
X.X	±0.2	CHECKED	YUZHYY	Oct 29, 2002		MODEL:
X.XX	±0.1	QC	LIUZHQ	Oct 29, 2002		AHI025 SERIES
THICKNESS	/	APPROVED	Roger Ding	Oct 29, 2002		TITLE AHI025 SERIES PCD
REV.	C	E:\ACAD\AHI025SERIES\AHI025SERIESPCD				SHEET: 1 OF 2

3. MOUNTING FOOTPRINT:



4. SCHEMATIC DIAGRAM:



5. ELECTRICAL TABLE:

INPUT	SERIES / PARALLEL			
	PARALLEL CONNECTION		SERIES CONNECTION	
OUTPUT	AC VOLTS	RMS AMPS	AC VOLTS	RMS AMPS
AHI02510	5V	0.5A	10V	0.25A
AHI02512	6.3V	0.4A	12.6V	0.2A
AHI02516	8V	0.3A	16V	0.15A
AHI02520	10V	0.24A	20V	0.12A
AHI02524	12V	0.2A	24V	0.1A
AHI02528	14V	0.18A	28V	0.09A
AHI02536	18V	0.14A	36V	0.07A

A	CREATED DRAWING	ZHENG	Oct 29,2002
REV.	DESCRIPTION	DRAWN	DATE(M/D/Y)

TOLERANCE		SCALE NOT 1:1	UNIT mm	DATE (M/D/Y)	MODEL DESCRIPTION		
X	±0.3	DRAWN	ZHENG	Oct 29,2002	<b>ZETTLER MAGNETICS</b>	MATERIAL Class B 130° C	
X.X	±0.2	CHECKED	YUZHUY	Oct 29,2002		MODEL: AHI025 SERIES	
X.XX	±0.1	QC	LIUZHQ	Oct 29,2002		TITLE AHI025 SERIES PCD	
THICKNESS	/	APPROVED	Roger Ding	Oct 29,2002		SHEET: 2 OF 2	
REV.	A	E:\ACAD\AHI025SERIES\AHI025SERIESPCD					

## Looking for pricing, stock, or lifecycle information?

Click below to explore more details on WIN SOURCE:

- ⊖ [View AHI02510](#) on WIN SOURCE
- ⊖ [ZETTLER Electronics](#) Information

## Optimize Your Supply Chain with WIN SOURCE Solutions

- ✓ Global Sourcing Solution
- ✓ Obsolete Management
- ✓ Cost Control Management
- ✓ Shortage Management
- ✓ Alternative Solution
- ✓ Excess Inventory Management