



**THE DATASHEET OF
AFB03512HA**

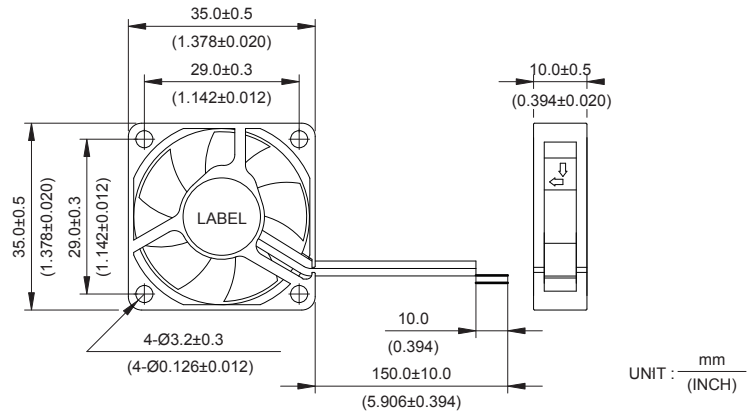


New



AFB 35 x 35 x 10 MM SERIES

DIMENSIONS DRAWING

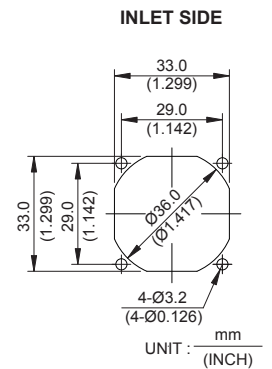
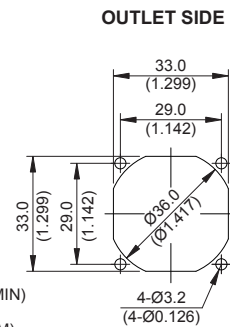
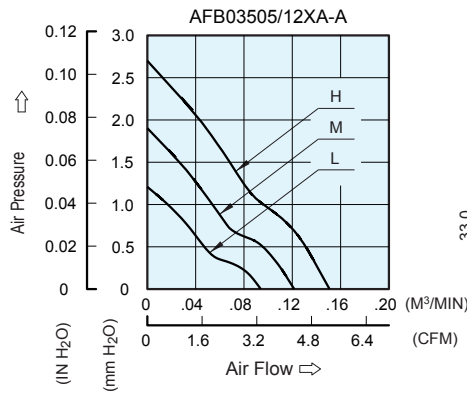


UNIT : $\frac{\text{mm}}{(\text{INCH})}$

- * Bearing Type
Ball Bearings
- * Material
Impeller & Frame : Plastic (UL 94V-0)
- * Lead Wires :
UL 1061 AWG #26 OR Equivalent
Red Wire Positive(+)
Black Wire Negative(-)
- * Weight : 10g(0.35 OZ)
- * Rib Type Only

P & Q CURVE (AT RATED VOLTAGE)

MOUNTING PANEL CUTOUT





MODEL			Rated Voltage	Operating Voltage Range	Input Current	Input Power	Speed	Maximum Air Flow		Maximum Air Pressure		Noise
PART NO.	REV.	FUNCTION	VDC	VDC	Amp	Watt	R.P.M.	m ³ /min	CFM	mmH ₂ O	IN H ₂ O	dB-A
AFB03505LA	-A	-R00 / -F00	5	4.0 to 5.5	0.06	0.30	4500	0.095	3.36	1.21	0.048	15.0
AFB03512LA	-A	-R00 / -F00	12	9.5 to 13.8	0.04	0.48						
AFB03505MA	-A	-R00 / -F00	5	4.0 to 5.5	0.10	0.50	5800	0.127	4.50	1.90	0.075	18.0
AFB03512MA	-A	-R00 / -F00	12	9.5 to 13.8	0.05	0.60						
AFB03505HA	-A	-R00 / -F00	5	4.0 to 5.5	0.14	0.70	7000	0.156	5.50	2.70	0.106	22.0
AFB03512HA	-A	-R00 / -F00	12	9.5 to 13.8	0.09	1.08						

* Function type is optional.
 * The max. air flow and the speed are measured in free air ; max. air pressure is measured at zero air flow.
 * Noise is measured in anechoic chamber in free air, one meter from intake side.
 * All readings are typical values at rated voltage.
 * Specifications are subject to change without notice.

Looking for pricing, stock, or lifecycle information?

Click below to explore more details on WIN SOURCE:

-  [View AFB03512HA on WIN SOURCE](#)
-  [Delta Electronics Information](#)

Optimize Your Supply Chain with WIN SOURCE Solutions

-  Global Sourcing Solution
-  Obsolete Management
-  Cost Control Management
-  Shortage Management
-  Alternative Solution
-  Excess Inventory Management