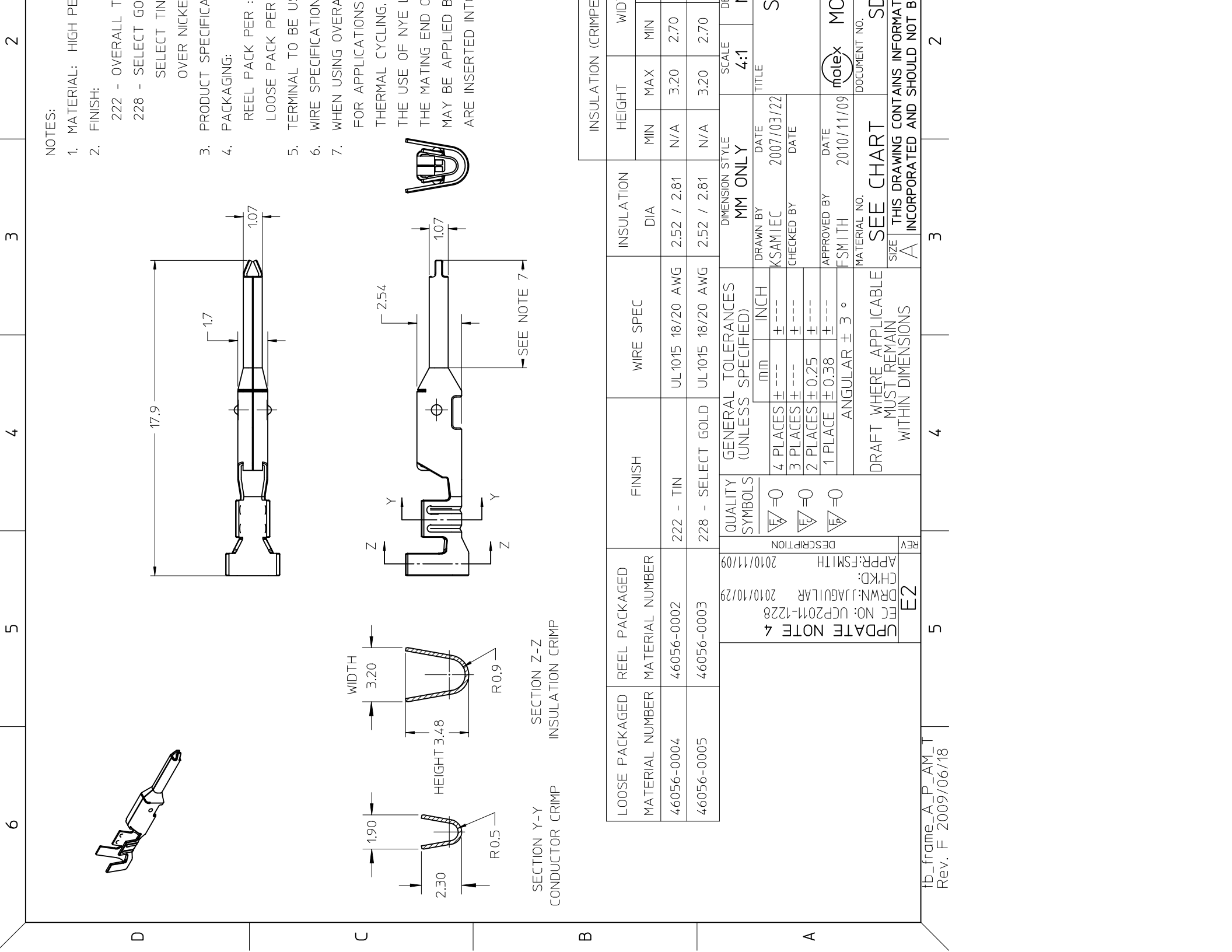




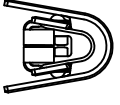
**THE DATASHEET OF**  
**460560002**





NOTES:

1. MATERIAL: HIGH Purity COPPER
2. FINISH: 222 - OVERALL TIN PLATED  
228 - SELECT GOLD PLATED  
SELECT TIN PLATED OVER NICKEL
3. PRODUCT SPECIFICATION: MIL-STD-883C
4. PACKAGING: REEL PACK PER : 1000  
LOOSE PACK PER : 100  
TERMINAL TO BE USED IN CONFORMANCE WITH THE WIRE SPECIFICATION
5. WHEN USING OVERMOLDING: FOR APPLICATIONS INVOLVING THERMAL CYCLING, THE USE OF NYLON OR OTHER PLASTIC THE MATING END CONTACT MAY BE APPLIED BECAUSE THEY ARE INSERTED INTO THE CRIMP



SECTION Y-Y  
CONDUCTOR CRIMP

SECTION Z-Z  
INSULATION CRIMP

B

LOOSE PACKAGED MATERIAL NUMBER	REEL PACKAGED MATERIAL NUMBER	FINISH	WIRE SPEC	INSULATION DIA	INSULATION HEIGHT	INSULATION WIDTH
46056-0004	46056-0002	222 - TIN	UL1015 18/20 AWG	2.52 / 2.81	MIN N/A	MIN 2.70
46056-0005	46056-0003	228 - SELECT GOLD	UL1015 18/20 AWG	2.52 / 2.81	N/A	2.70

A

QUALITY SYMBOLS	GENERAL TOLERANCES (UNLESS SPECIFIED)	DIMENSION STYLE	SCALE	TITLE
$\nabla = 0$	mm 4 PLACES $\pm$ --- 3 PLACES $\pm$ --- 2 PLACES $\pm 0.25$ 1 PLACE $\pm 0.38$	MM ONLY	4:1	S
$\nabla = 0$	INCH 4 PLACES $\pm$ --- 3 PLACES $\pm$ --- 2 PLACES $\pm$ --- 1 PLACE $\pm$ ---	DRAWN BY KSM/IEC	DATE 2007/03/22	DATE
$\nabla = 0$	ANGULAR $\pm 3^\circ$	CHECKED BY	DATE	DATE
	DRAFT WHERE APPLICABLE MUST REMAIN WITHIN DIMENSIONS	APPROVED BY FSM/TH	DATE 2010/11/09	DATE
		MATERIAL NO.	DOCUMENT NO.	DOCUMENT NO.

ib\_frame\_A\_P\_AM\_T  
Rev. F 2009/06/18

5

4

3

2

SEE CHART  
THIS DRAWING CONTAINS INFORMATION INCORPORATED AND SHOULD NOT BE



MOLEX MC  
DOCUMENT NO.

A

REV	DESCRIPTION
E2	UPDATE NOTE 4 EC NO: UCP2011-1228 DRWN: JAGUILAR 2010/10/29 CHKD: APPR: FSMITH 2010/11/09

6

5

4

3

2

1

0

D

C

B

A

## Looking for pricing, stock, or lifecycle information?

Click below to explore more details on WIN SOURCE:

 [View 460560002 on WIN SOURCE](#)

 [Molex, LLC Information](#)

## Optimize Your Supply Chain with WIN SOURCE Solutions

-  Global Sourcing Solution
-  Obsolete Management
-  Cost Control Management
-  Shortage Management
-  Alternative Solution
-  Excess Inventory Management