



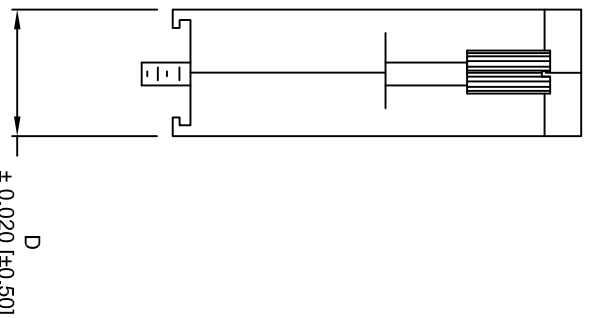
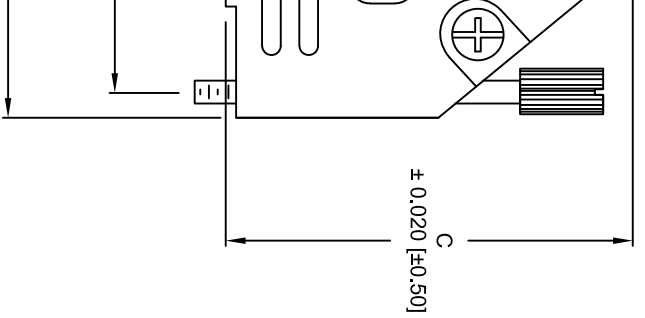
**THE DATASHEET OF**  
**970-025-030R121**



SHELL

- VARIOUS SIZES  
7.0], Ø0.354 [9.0]

X. CABLE Ø  
0.465  
± 0.010 11.81



MATERIAL: DIE-CAST ZINC ALLOY  
 PLATING: NICKEL OVER COPPER  
 JACKSCREWS: STEEL, ZINC PLATED  
 M3 HOODSCREWS: STEEL, ZINC PLATED  
 COMPRESSION INSERT: ABS UL 94-HB  
 COMPRESSION SPRING: STEEL, NICKEL PLATED  
 OPERATING TEMP: -40°C TO +120°C

No. OF PINS	DIMENSIONS (IN.)			
	A	B	C	D
9	1.228	0.984	1.571	0.590
	31.19	24.99	39.90	14.99
15	1.555	1.312	1.634	0.590
	39.50	33.32	41.50	14.99
25	2.102	1.852	1.913	0.590
	53.39	47.04	48.59	14.99
37	2.744	2.500	2.110	0.590
	69.70	63.50	53.59	14.99

**970-YYY-030R121**

SERIES \_\_\_\_\_  
 POSITIONS \_\_\_\_\_  
 009 \_\_\_\_\_  
 015 \_\_\_\_\_  
 025 \_\_\_\_\_  
 037 \_\_\_\_\_

MATERIAL \_\_\_\_\_  
 030 = ZINC \_\_\_\_\_  
 COLOR \_\_\_\_\_  
 12 = NICKEL OVER COPPER \_\_\_\_\_  
 PUT-UPS \_\_\_\_\_  
 1 = KIT \_\_\_\_\_

UNITS = INCHES [MM]



THESE DRAWINGS AND SPECIFICATIONS ARE THE PROPERTY OF NorComp AND SHALL NOT BE REPRODUCED, COPIED OR USED AS THE BASIS FOR THE MANUFACTURE OR SALE OF APPARATUS WITHOUT WRITTEN PERMISSION.

DRAWN: PAM JENKINS DATE: 6-10-05

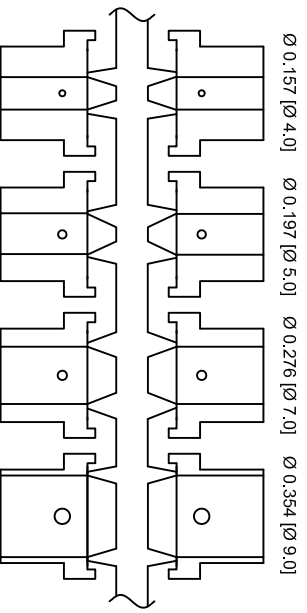
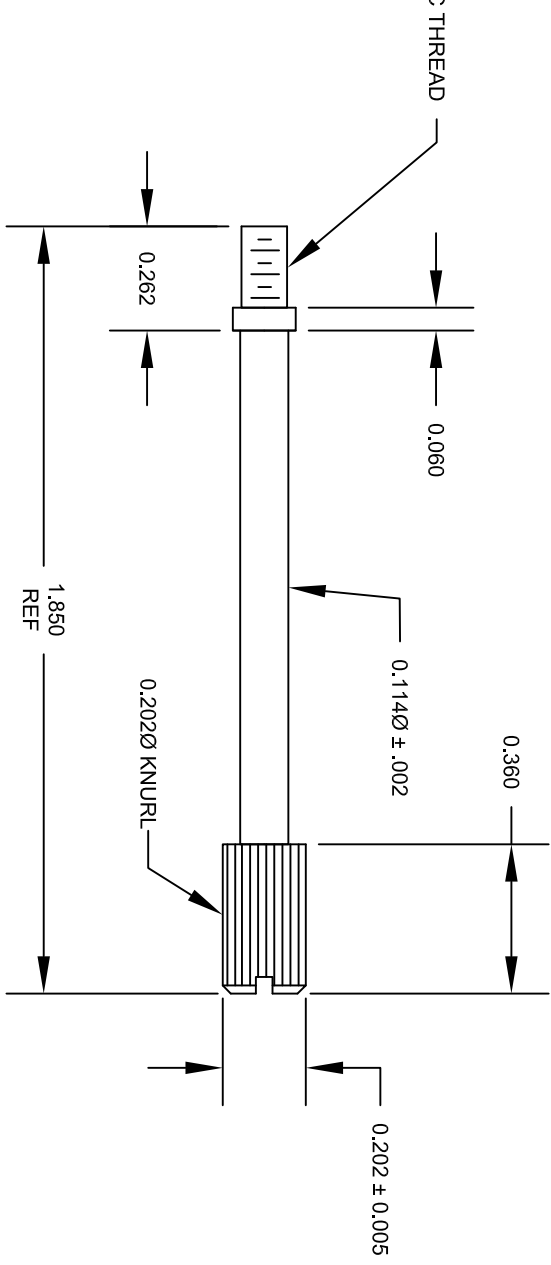
SCALE NTS SHEET 1 OF 2 REV 14

**NorComp**

MPPLIANT

DWG NO. 970-YYY-030R121

SHELL



PLASTIC INSERTS

UNITS = INCHES [MM]

**NorComp** logo and disclaimer:

THESE DRAWINGS AND SPECIFICATIONS ARE THE PROPERTY OF NorComp AND SHALL NOT BE REPRODUCED, COPIED OR USED AS THE BASIS FOR THE MANUFACTURE OR SALE OF APPARATUS WITHOUT WRITTEN PERMISSION.

DRAWN: PAM JENKINS  
DATE: 6-10-05

SCALE	SHEET	OF	REV
NTS	2	2	14

DWG NO. 970-YYY-030R121

IMPLIANT

NorComp

## Looking for pricing, stock, or lifecycle information?

Click below to explore more details on WIN SOURCE:

 [View 970-025-030R121 on WIN SOURCE](#)

 [NorComp Inc. Information](#)

## Optimize Your Supply Chain with WIN SOURCE Solutions

-  Global Sourcing Solution
-  Obsolete Management
-  Cost Control Management
-  Shortage Management
-  Alternative Solution
-  Excess Inventory Management