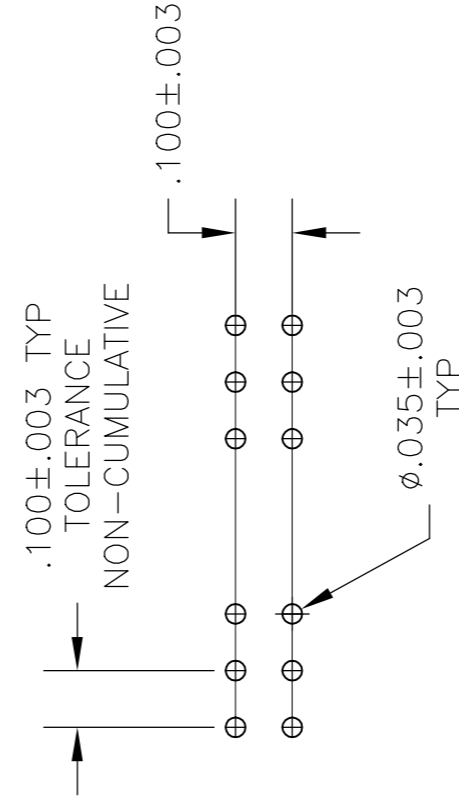
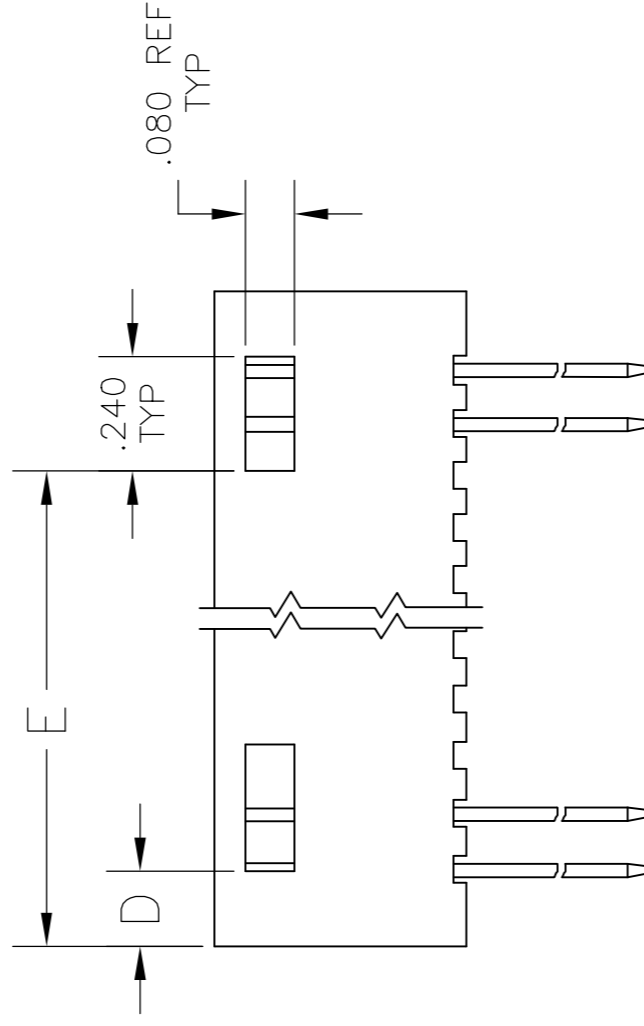
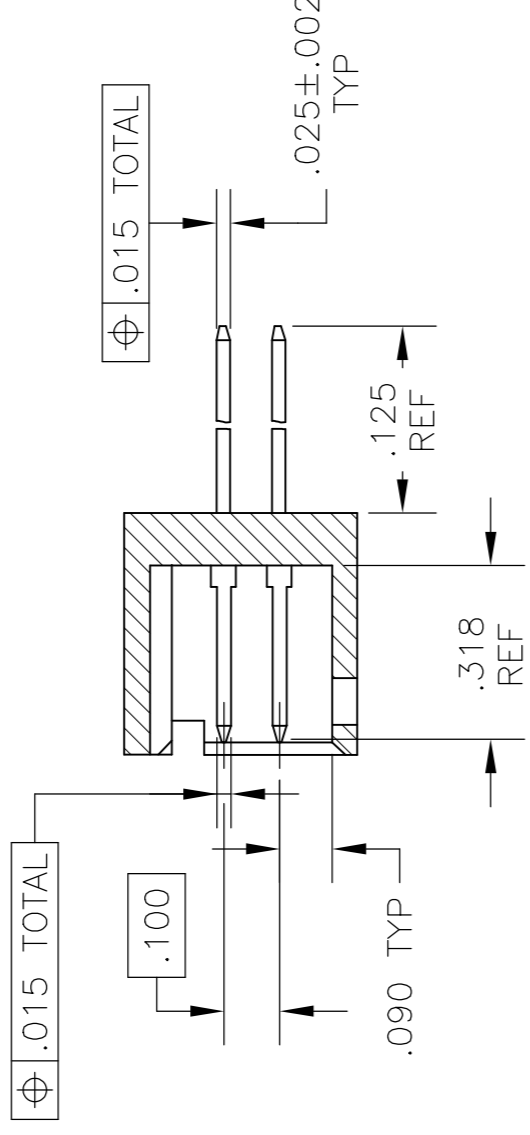
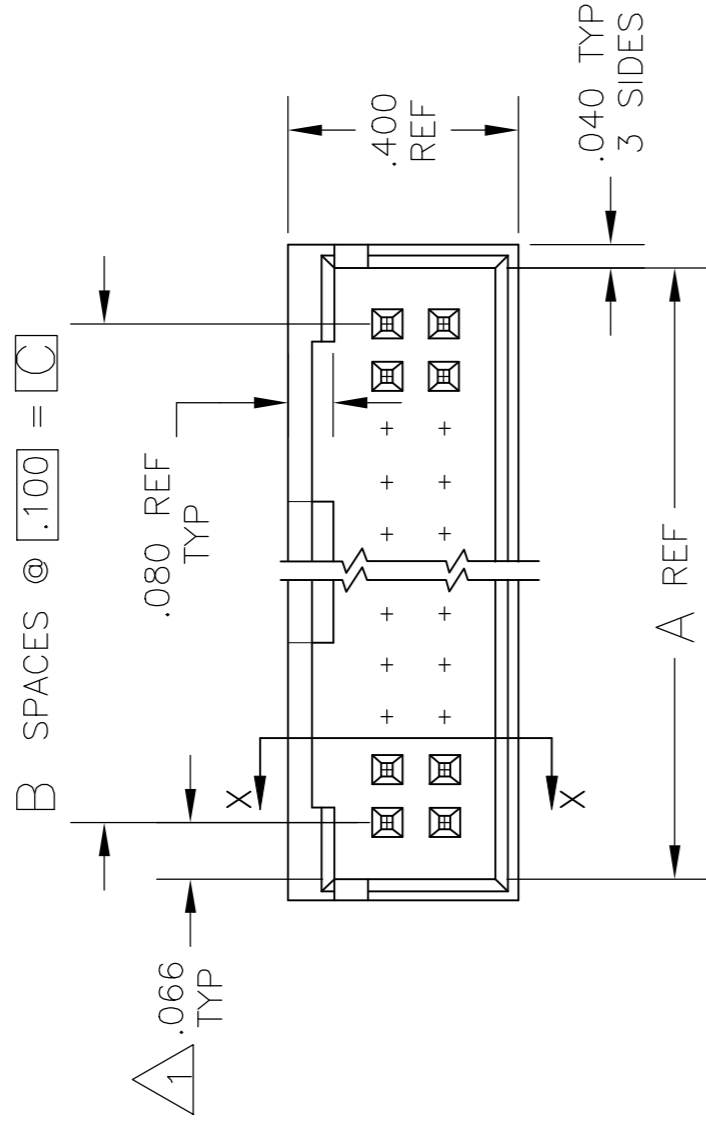
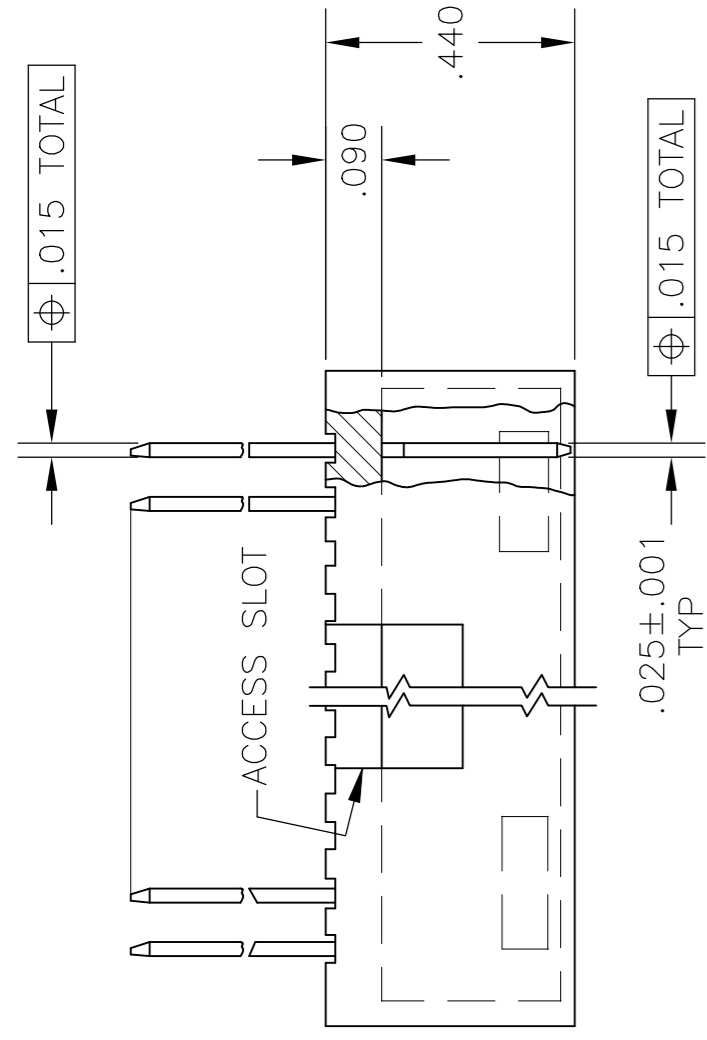




**THE DATASHEET OF**  
**87589-6**





RECOMMENDED HOLE LAYOUT

NOTES

- 1 WILL ALSO MATE W/OTHER CONNECT
- 2 OBSOLETE PART NUMBER.
- 3 .000100-.000200 BRIGHT TIN-LEAD
- 4 .000100-.000200 BRIGHT TIN OVER
- 5 PRELIMINARY PART.
- 6 .000100-.000200 MATTE TIN OVER
- 7 OBSOLETE PARTS: OBSOLETE CIS ST

THIS DRAWING IS A CONTROLLED DOCUMENT

DIMENSIONS: INCHES	TOLERANCES UNLESS OTHERWISE SPECIFIED
	0 PLC ±
	1 PLC ±
	2 PLC ±
	3 PLC ± .005
	4 PLC ±
ANGLES	FINISH
MATERIAL: HSG: CLASS 5 FILER NYLON COLOR: BLACK CONTACT: PHOS BRONZE	
SEE TABLE	

5

D

C

B

A

	E	D	C	B	A	NO OF POSN.	PART NO.
	-	.106	.200	2	.332	6	8-87589-6
	-	.106	.300	3	.432	8	8-87589-5
	3.506	.106	3.600	36	3.732	74	8-87589-3
	3.406	.106	3.500	35	3.632	72	8-87589-2
	3.306	.106	3.400	34	3.532	70	8-87589-1
	3.206	.106	3.300	33	3.432	68	8-87589-0
	3.106	.106	3.200	32	3.332	66	7-87589-9
	3.006	.106	3.100	31	3.232	64	7-87589-8
	2.906	.106	3.000	30	3.132	62	7-87589-7
	2.806	.106	2.900	29	3.032	60	7-87589-6
	2.706	.106	2.800	28	2.932	58	7-87589-5
	2.606	.106	2.700	27	2.832	56	7-87589-4
	2.506	.106	2.600	26	2.732	54	7-87589-3
	2.406	.106	2.500	25	2.632	52	7-87589-2
	2.306	.106	2.400	24	2.532	50	7-87589-1
	2.206	.106	2.300	23	2.432	48	7-87589-0
	2.106	.106	2.200	22	2.332	46	6-87589-9
	2.006	.106	2.100	21	2.232	44	6-87589-8
	1.906	.106	2.000	20	2.132	42	6-87589-7
	1.806	.106	1.900	19	2.032	40	6-87589-6
	1.706	.106	1.800	18	1.932	38	6-87589-5
	1.606	.106	1.700	17	1.832	36	6-87589-4
	1.506	.106	1.600	16	1.732	34	6-87589-3
	1.406	.106	1.500	15	1.632	32	6-87589-2
	1.306	.106	1.400	14	1.532	30	6-87589-1
	1.206	.106	1.300	13	1.432	28	6-87589-0
	1.106	.106	1.200	12	1.332	26	5-87589-9
	1.006	.106	1.100	11	1.232	24	5-87589-8
	.906	.106	1.000	10	1.132	22	5-87589-7
	.806	.106	.900	9	1.032	20	5-87589-6
	-	.406	.800	8	.932	18	5-87589-5
	-	.306	.700	7	.832	16	5-87589-4
	-	.306	.600	6	.732	14	5-87589-3
	-	.206	.500	5	.632	12	5-87589-2
	-	.206	.400	4	.532	10	5-87589-1
FINISH	E	D	C	B	A		

OBSOLETE

OBSOLETE

OBSOLETE

OBSOLETE

OBSOLETE

OBSOLETE

OBSOLETE

OBSOLETE

OBSOLETE

OBSOLETE

OBSOLETE

OBSOLETE

SUPERCEDED BY 6-87589-4

THIS DRAWING IS A CONTROLLED DOCUMENT

DIMENSIONS: INCHES



TOLERANCES UNLESS OTHERWISE SPECIFIED

0	PLC	±	-
1	PLC	±	-
2	PLC	±	-
3	PLC	±	.005
4	PLC	±	-
ANGLES		±	-
FINISH		±	-

MATERIAL: HSG: CLASS FILLER NYLON  
COLOR: BLACK  
CONTACT: PHOS BRONZE

SEE TABLE

Looking for pricing, stock, or lifecycle information?

Click below to explore more details on WIN SOURCE:

[View 87589-6 on WIN SOURCE](#)

[TE Connectivity Information](#)

### Optimize Your Supply Chain with WIN SOURCE Solutions

- ✓ Global Sourcing Solution
- ✓ Obsolete Management
- ✓ Cost Control Management
- ✓ Shortage Management
- ✓ Alternative Solution
- ✓ Excess Inventory Management