



**THE DATASHEET OF  
72125L25SOG**



**FEATURES:**

- 25ns parallel port access time, 35ns cycle time
- 50MHz serial shift frequency
- Wide x16 organization offering easy expansion
- Low power consumption (50mA typical)
- Least/Most Significant Bit first read selected by asserting the  $\overline{FL}/DIR$  pin
- Four memory status flags: Empty, Full, Half-Full, and Almost-Empty/Almost-Full
- Dual-Port zero fall-through architecture
- Available in 28-pin 300 mil plastic DIP and 28-pin SOIC
- Green parts available, see ordering information

**DESCRIPTION:**

The IDT72125 is a high-speed, low-power, dedicated, parallel-to-serial FIFO. This FIFO features a 16-bit parallel input port and a serial output port with 1,024 word depths, respectively.

The ability to buffer wide word widths (x16) make these FIFOs ideal for laser printers, FAX machines, local area networks (LANs), video storage and disk/tape controller applications.

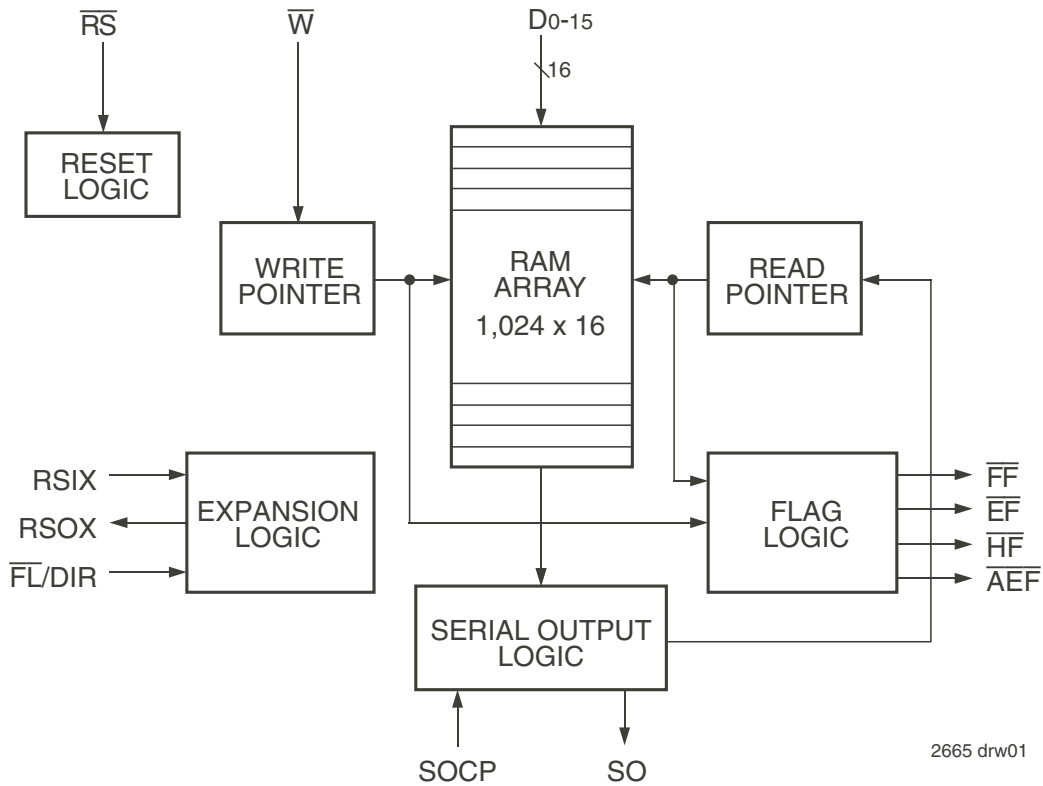
Expansion in width and depth can be achieved using multiple chips. IDT's unique serial expansion logic makes this possible using a minimum of pins.

The unique serial output port is driven by one data pin (SO) and one clock pin (SOCP). The Least Significant or Most Significant Bit can be read first by programming the DIR pin after a reset.

Monitoring the FIFO is eased by the availability of four status flags: Empty, Full, Half-Full and Almost-Empty/Almost-Full. The Full and Empty flags prevent any FIFO data overflow or underflow conditions. The Half-Full Flag is available in both single and expansion mode configurations. The Almost-Empty/Almost-Full Flag is available only in a single device mode.

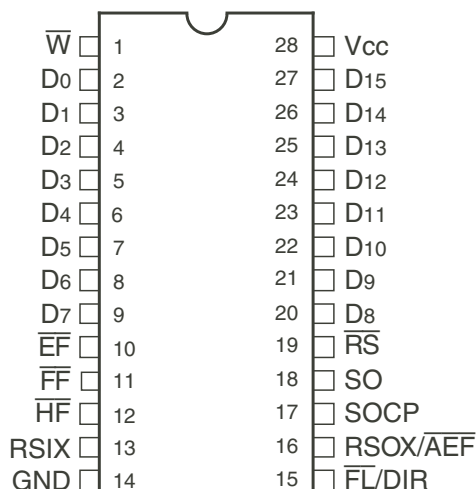
The IDT72125 is fabricated using submicron CMOS technology.

**FUNCTIONAL BLOCK DIAGRAM**



2665 drw01

## PIN CONFIGURATION



2665 drw 02

PLASTIC THIN DIP (P28, order code: TP)  
SOIC (SO28, order code: SO)  
TOP VIEW

## PIN DESCRIPTIONS

Symbol	Name	I/O	Description
D0–D15	Inputs	I	Data inputs for 16-bit wide data.
$\overline{RS}$	Reset	I	When $\overline{RS}$ is set low, internal READ and WRITE pointers are set to the first location of the RAM array. $\overline{FF}$ and $\overline{HF}$ go HIGH. $\overline{EF}$ and $\overline{AEF}$ go LOW. A reset is required before an initial WRITE after power-up. $\overline{W}$ must be high during the RS cycle. Also the First Load pin ( $\overline{FL}$ ) is programmed only during Reset.
$\overline{W}$	Write	I	A write cycle is initiated on the falling edge of WRITE if the Full Flag ( $\overline{FF}$ ) is not set. Data set-up and hold times must be adhered to with respect to the rising edge of WRITE. Data is stored in the RAM array sequentially and independently of any ongoing read operation.
SOCP	Serial Output Clock	I	A serial bit read cycle is initiated on the rising edge of SOCP if the Empty Flag ( $\overline{EF}$ ) is not set. In both Depth and Serial Word Width Expansion modes, all of the SOCP pins are tied together.
$\overline{FL}/DIR$	First Load/Direction	I	This is a dual purpose input used in the width and depth expansion configurations. The First Load ( $\overline{FL}$ ) function is programmed only during Reset ( $\overline{RS}$ ) and a LOW on $\overline{FL}$ indicates the first device to be loaded with a byte of data. All other devices should be programmed HIGH. The Direction (DIR) pin controls shift direction after Reset and tells the device whether to read out the Least Significant or Most Significant bit first.
RSIX	Read Serial In Expansion	I	In the single device configuration, RSIX is set HIGH. In depth expansion or daisy chain expansion, RSIX is connected to RSOX (expansion out) of the previous device.
SO	Serial Output	O	Serial data is output on the Serial Output (SO) pin. Data is clocked out LSB or MSB depending on the Direction pin programming. During Expansion the SO pins are tied together.
$\overline{FF}$	Full Flag	O	When $\overline{FF}$ goes LOW, the device is full and further WRITE operations are inhibited. When $\overline{FF}$ is HIGH, the device is not full.
$\overline{EF}$	Empty Flag	O	When $\overline{EF}$ goes LOW, the device is empty and further READ operations are inhibited. When $\overline{EF}$ is HIGH, the device is not empty.
$\overline{HF}$	Half-Full Flag	O	When $\overline{HF}$ is LOW, the device is more than half-full. When $\overline{HF}$ is HIGH, the device is empty to half-full.
RSOX/ $\overline{AEF}$	Read Serial Out Expansion Almost-Empty, Almost-Full Flag	O	This is a dual purpose output. In the single device configuration (RSIX HIGH), this is an $\overline{AEF}$ output pin. When $\overline{AEF}$ is LOW, the device is empty-to-(1/8 full -1) or (7/8 full +1)-to-full. When $\overline{AEF}$ is HIGH, the device is 1/8-full up to 7/8-full. In the Expansion configuration (RSOX connected to RSIX of the next device) a pulse is sent from RSOX to RSIX to coordinate the width, depth or daisy chain expansion.
VCC	Power Supply		Single power supply of 5V.
GND	Ground		Single ground of 0V.

## STATUS FLAGS

Number of Words in FIFO				
IDT72125	$\overline{FF}$	$\overline{AEF}$	$\overline{HF}$	$\overline{EF}$
0	H	L	H	L
1–127	H	L	H	H
128–512	H	H	H	H
513–896	H	H	L	H
897–1023	H	L	L	H
1024	L	L	L	H

## ABSOLUTE MAXIMUM RATINGS<sup>(1)</sup>

Symbol	Description	Max	Unit
VTERM	Terminal Voltage with Respect to GND	-0.5 to +7.0	V
TSTG	Storage Temperature	-55 to +125	°C
IOUT	DC Output Current	-50 to +50	mA

### NOTE:

- Stresses greater than those listed under ABSOLUTE MAXIMUM RATINGS may cause permanent damage to the device. This is a stress rating only and functional operation of the device at these or any other conditions above those indicated in the operational sections of this specification is not implied. Exposure to absolute maximum rating conditions for extended periods may affect reliability.

## RECOMMENDED DC OPERATING CONDITIONS

Symbol	Parameter	Min.	Typ.	Max.	Unit
VCC	Supply Voltage	4.5	5.0	5.5	V
GND	Supply Voltage	0	0	0	V
V <sub>IH</sub>	Input HIGH Voltage	2	—	—	V
V <sub>IL</sub> <sup>(1)</sup>	Input LOW Voltage	—	—	0.8	V
T <sub>A</sub>	Operating Temperature	0	—	+70	°C

### NOTE:

- 1.5V undershoots are allowed for 10ns once per cycle.

## DC ELECTRICAL CHARACTERISTICS

(Commercial: VCC = 5V ± 10%, T<sub>A</sub> = 0°C to +70°C)

Symbol	Parameter	IDT72125 Commercial			Unit
		Min.	Typ.	Max.	
I <sub>LI</sub> <sup>(1)</sup>	Input Leakage Current (Any Input)	-1	—	1	μA
I <sub>LO</sub> <sup>(2)</sup>	Output Leakage Current	-10	—	10	μA
V <sub>OH</sub>	Output Logic "1" Voltage I <sub>OUT</sub> = -2mA <sup>(3)</sup>	2.4	—	—	V
V <sub>OL</sub>	Output Logic "0" Voltage I <sub>OUT</sub> = 8mA <sup>(4)</sup>	—	—	0.4	V
I <sub>CC1</sub> <sup>(5)</sup>	Active Power Supply Current	—	50	100	mA
I <sub>CC2</sub> <sup>(5,6,7)</sup>	Standby Current ( $\overline{W} = \overline{RS} = \overline{FL}/DIR = VIH$ ; SOCP = VIL)	—	4	8	mA
I <sub>CC3</sub> <sup>(5,6,7)</sup>	Power Down Current	—	1	6	mA

### NOTES:

- Measurements with 0.4V ≤ V<sub>IN</sub> ≤ V<sub>CC</sub>.
- SOCP = V<sub>IL</sub>, 0.4 ≤ V<sub>OUT</sub> ≤ V<sub>CC</sub>.
- For SO, I<sub>OUT</sub> = -4mA.
- For SO, I<sub>OUT</sub> = 16mA.
- Tested with outputs open (I<sub>OUT</sub> = 0).
- $\overline{RS} = \overline{FL}/DIR = \overline{W} = V_{CC} - 0.2V$ ; SOCP = 0.2V; all other inputs - V<sub>CC</sub> - 0.2.
- Measurements are made after reset.

## AC ELECTRICAL CHARACTERISTICS

 (Commercial:  $V_{CC} = 5V \pm 10\%$ ,  $T_A = 0^\circ\text{C}$  to  $+70^\circ\text{C}$ )

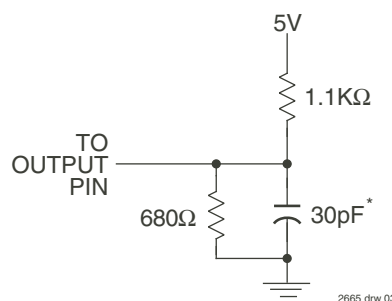
Symbol	Parameter	Figure	Commercial IDT72125L25		Unit
			Min.	Max.	
t <sub>S</sub>	Parallel Shift Frequency	—	—	28.5	MHz
t <sub>SOCP</sub>	Serial Shift Frequency	—	—	50	MHz
<b>PARALLEL INPUT TIMINGS</b>					
t <sub>WC</sub>	Write Cycle Time	2	35	—	ns
t <sub>WPW</sub>	Write Pulse Width	2	25	—	ns
t <sub>WR</sub>	Write Recovery Time	2	10	—	ns
t <sub>DS</sub>	Data Set-up Time	2	12	—	ns
t <sub>DH</sub>	Data Hold Time	2	0	—	ns
t <sub>WEF</sub>	Write High to $\overline{EF}$ HIGH	5, 6	—	35	ns
t <sub>WFF</sub>	Write Low to $\overline{FF}$ LOW	4, 7	—	35	ns
t <sub>WF</sub>	Write Low to Transitioning $\overline{HF}$ , $\overline{AEF}$	8	—	35	ns
t <sub>WPF</sub>	Write Pulse Width After $\overline{FF}$ HIGH	7	25	—	ns
<b>SERIAL OUTPUT TIMINGS</b>					
t <sub>SOCP</sub>	Serial Clock Cycle Time	3	20	—	ns
t <sub>SOCW</sub>	Serial Clock Width HIGH/LOW	3	8	—	ns
t <sub>SOPD</sub>	SOCP Rising Edge to SO Valid Data	3	—	14	ns
t <sub>SOHZ</sub>	SOCP Rising Edge to SO at High-Z <sup>(1)</sup>	3	3	14	ns
t <sub>SOLZ</sub>	SOCP Rising Edge to SO at Low-Z <sup>(1)</sup>	3	3	14	ns
t <sub>SOCEF</sub>	SOCP Rising Edge to $\overline{EF}$ LOW	5, 6	—	35	ns
t <sub>SOCFF</sub>	SOCP Rising Edge to $\overline{FF}$ HIGH	4, 7	—	35	ns
t <sub>SOCF</sub>	SOCP Rising Edge to Transitioning $\overline{HF}$ , $\overline{AEF}$	8	—	35	ns
t <sub>REFSO</sub>	SOCP Delay After $\overline{EF}$ HIGH	6	35	—	ns
<b>RESET TIMINGS</b>					
t <sub>RSC</sub>	Reset Cycle Time	1	35	—	ns
t <sub>RS</sub>	Reset Pulse Width	1	25	—	ns
t <sub>RSS</sub>	Reset Set-up Time	1	25	—	ns
t <sub>RSR</sub>	Reset Recovery Time	1	10	—	ns
<b>EXPANSION MODE TIMINGS</b>					
t <sub>FLS</sub>	$\overline{FL}$ Set-up Time to $\overline{RS}$ Rising Edge	9	7	—	ns
t <sub>FLH</sub>	$\overline{FL}$ Hold Time to $\overline{RS}$ Rising Edge	9	0	—	ns
t <sub>DIRS</sub>	DIR Set-up Time to SOCP Rising Edge	9	10	—	ns
t <sub>DIRH</sub>	DIR Hold Time from SOCP Rising Edge	9	5	—	ns
t <sub>SOXD1</sub>	SOCP Rising Edge to RSOX Rising Edge	9	—	15	ns
t <sub>SOXD2</sub>	SOCP Rising Edge to RSOX Falling Edge	9	—	15	ns
t <sub>SIXS</sub>	RSIX Set-up Time to SOCP Rising Edge	9	5	—	ns
t <sub>SIXPW</sub>	RSIX Pulse Width	9	10	—	ns

**NOTE:**

1. Values guaranteed by design.

### AC TEST CONDITIONS

Input Pulse Levels	GND to 3.0V
Input Rise/Fall Times	5ns
Input Timing Reference Levels	1.5V
Output Reference Levels	1.5V
Output Load	See Figure A



or equivalent circuit

**Figure A. Output Load**

\* Includes scope and jig capacitances.

### CAPACITANCE (T<sub>A</sub> = +25°C, f = 1.0 MHz)

Symbol	Parameter <sup>(1)</sup>	Condition	Max.	Unit
C <sub>IN</sub>	Input Capacitance	V <sub>IN</sub> = 0V	10	pF
C <sub>OUT</sub>	Output Capacitance	V <sub>OUT</sub> = 0V	12	pF

**NOTE:**

1. Characterized values, not currently tested.

## FUNCTIONAL DESCRIPTION

### PARALLEL DATA INPUT

The device must be reset before beginning operation so that all flags are set to their initial state. In width or depth expansion the First Load pin ( $\overline{FL}$ ) must be programmed to indicate the first device.

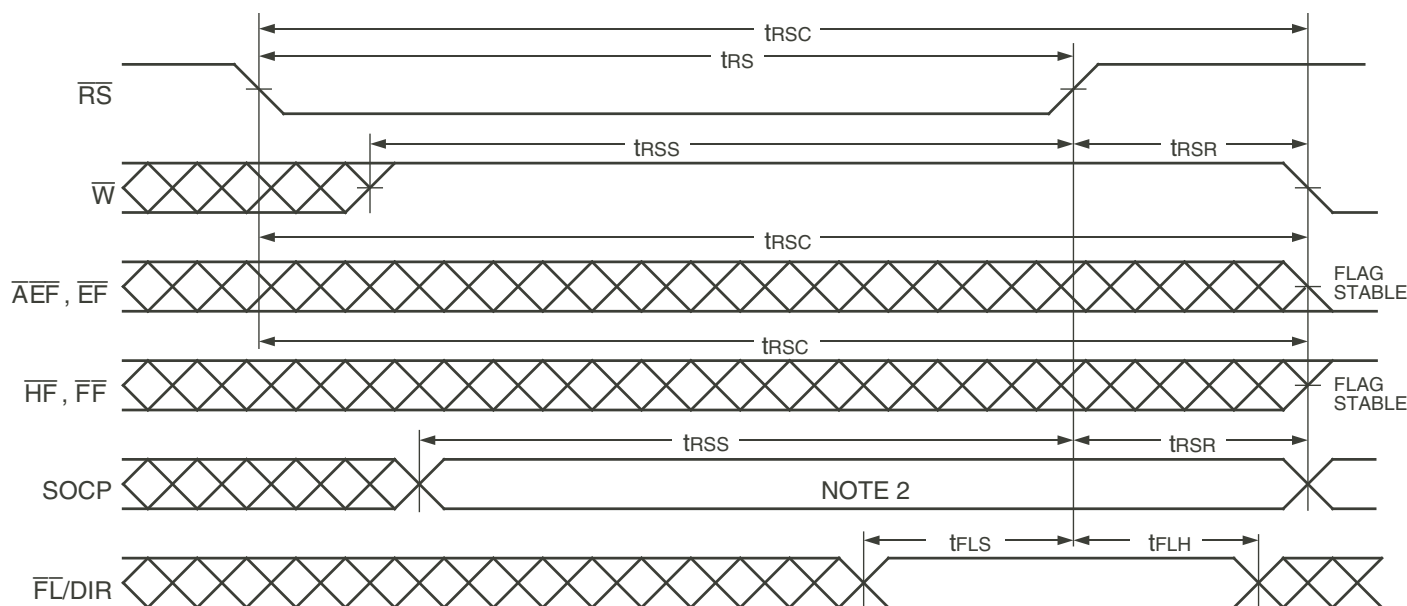
The data is written into the FIFO in parallel through the D0–D15 input data lines. A write cycle is initiated on the falling edge of the Write ( $\overline{W}$ ) signal provided the Full Flag ( $\overline{FF}$ ) is not asserted. If the  $\overline{W}$  signal changes from HIGH-to-LOW and the Full Flag ( $\overline{FF}$ ) is already set, the write line is internally inhibited internally from incrementing the write pointer and no write operation occurs.

Data set-up and hold times must be met with respect to the rising edge of Write. On the rising edge of  $\overline{W}$ , the write pointer is incremented. Write operations can occur simultaneously or asynchronously with read operations.

### SERIAL DATA OUTPUT

The serial data is output on the SO pin. The data is clocked out on the rising edge of SOCP providing the Empty Flag ( $\overline{EF}$ ) is not asserted. If the Empty Flag is asserted then the next data word is inhibited from moving to the output register and being clocked out by SOCP.

The serial word is shifted out Least Significant Bit or Most Significant Bit first, depending on the  $\overline{FL}/DIR$  level during operation. A LOW on DIR will cause the Least Significant Bit to be read out first. A HIGH on DIR will cause the Most Significant Bit to be read out first.



**NOTES:**

- $\overline{EF}$ ,  $\overline{FF}$ ,  $\overline{HF}$  and  $\overline{AEF}$  may change status during Reset, but flags will be valid at trsc.
- SOCP should be in the steady LOW or HIGH during trss. The first LOW-HIGH (or HIGH-LOW) transition can begin after trsr.

**Figure 1. Reset**

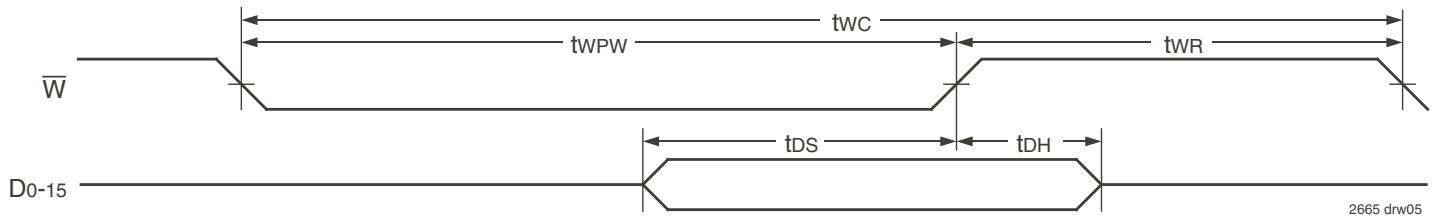
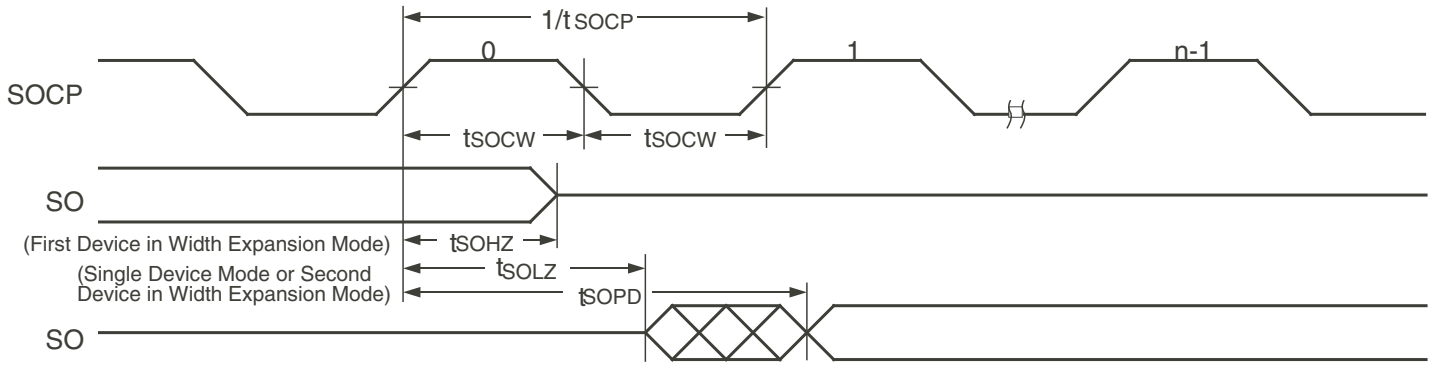


Figure 2. Write Operation

2665 drw05

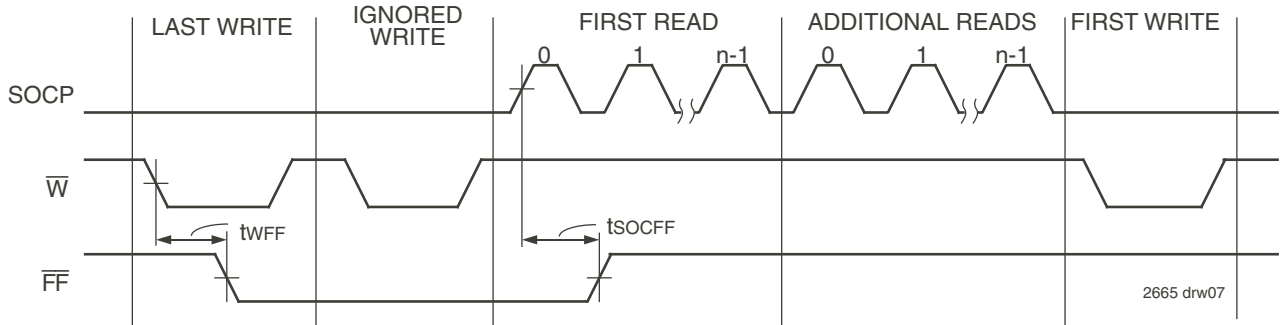


**NOTE:**

1. In Single Device Mode,  $SO$  will not tri-state except after reset.

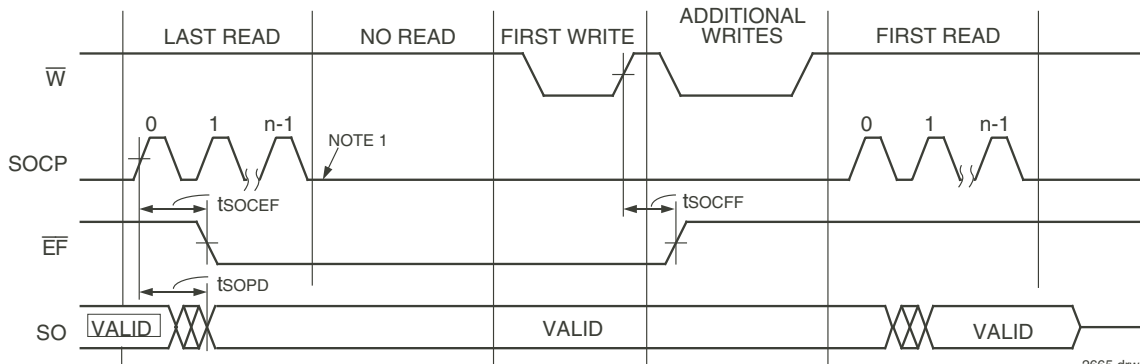
2665 drw06

Figure 3. Read Operation



2665 drw07

Figure 4. Full Flag from Last Write to First Read

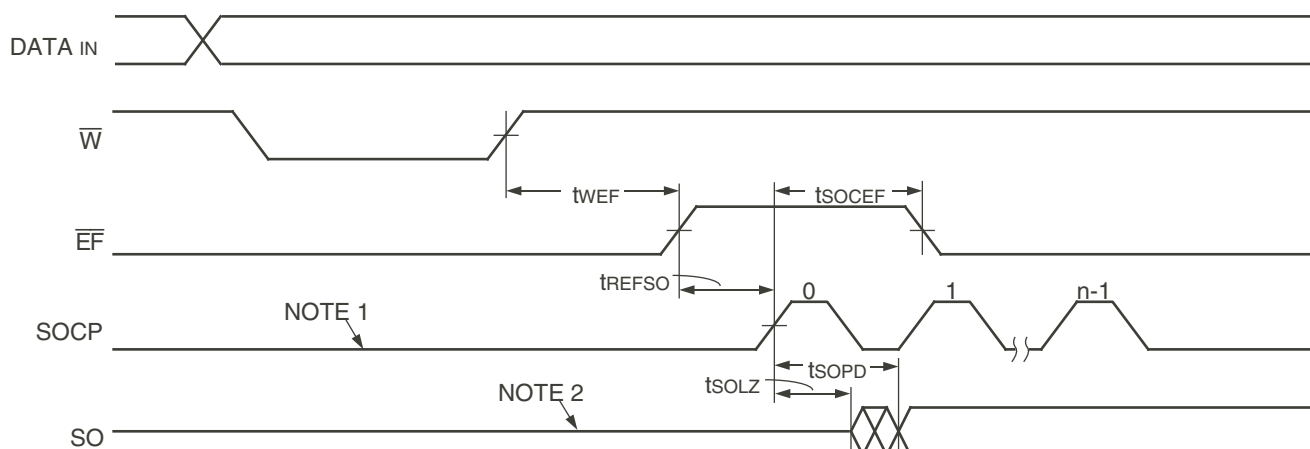


**NOTE:**

1.  $SOCP$  should not be clocked until  $\bar{EF}$  goes HIGH.

2665 drw08

Figure 5. Empty Flag from Last Read to First Write

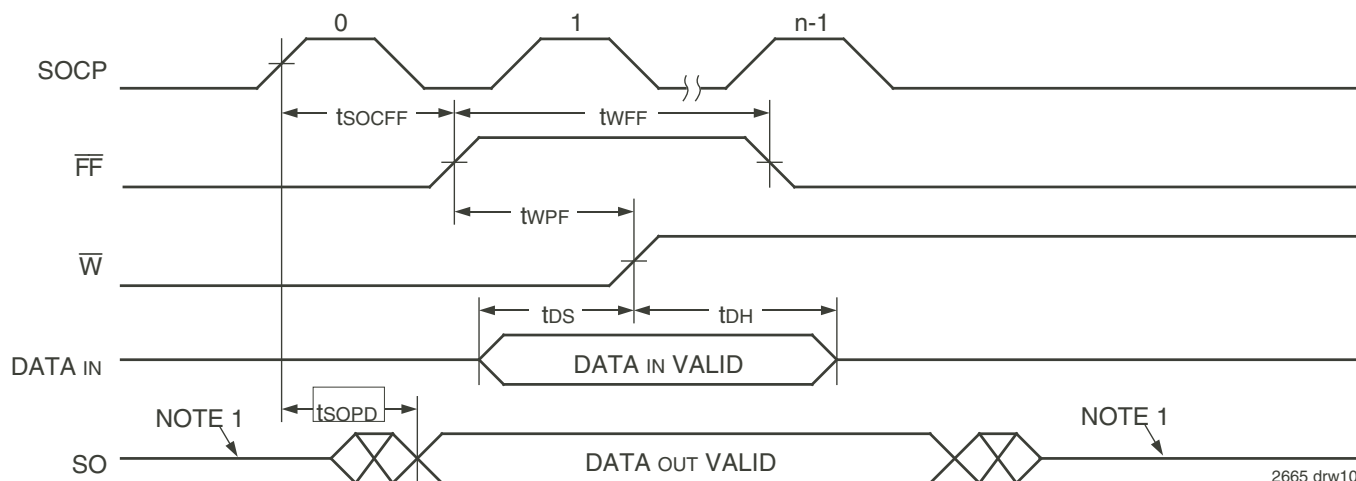


2665 drw09

**NOTES:**

1. Once  $\overline{EF}$  has gone LOW and the last bit of the final word has been shifted out, SOCP should not be clocked until  $\overline{EF}$  goes HIGH.
2. In Single Device Mode, SO will not tri-state except after Reset. It will retain the last valid data.

**Figure 6. Empty Boundary Condition Timing**

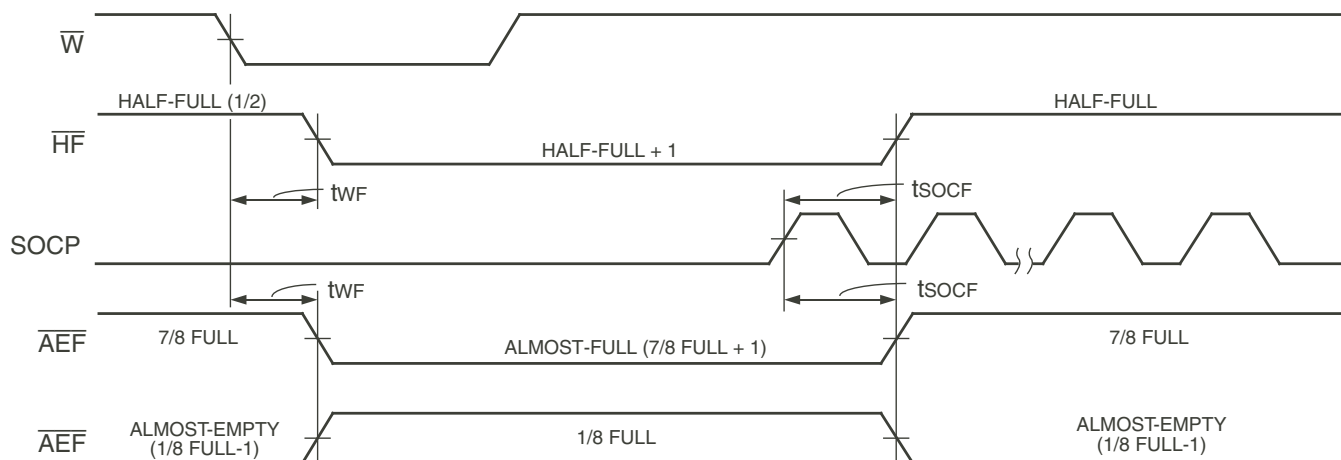


2665 drw10

**NOTE:**

1. Single Device Mode will not tri-state but will retain the last valid data.

**Figure 7. Full Boundary Condition Timing**



2665 drw11

**Figure 8. Half-Full, Almost-Full and Almost-Empty Timings**

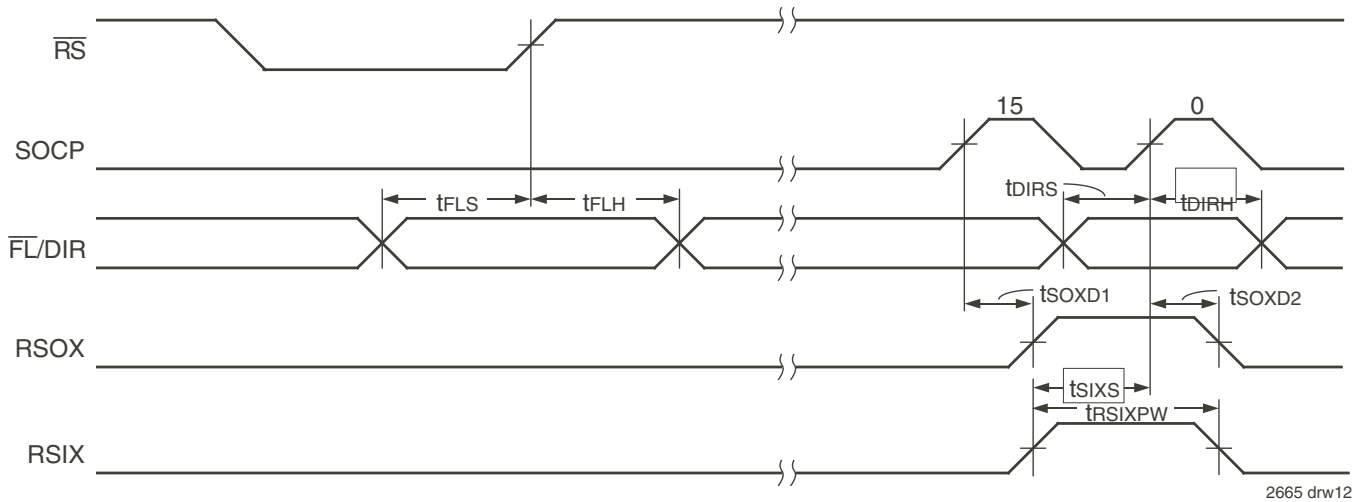


Figure 9. Serial Read Expansion

## OPERATING CONFIGURATIONS

### SINGLE DEVICE MODE

The device must be reset before beginning operation so that all flags are set to location zero. In the standalone case, the  $RSIX$  line is tied HIGH and indicates single device operation to the device. The  $RSOX/\overline{AEF}$  pin defaults to  $\overline{AEF}$  and outputs the Almost-Empty and Almost-Full Flag.

### WIDTH EXPANSION MODE

In the cascaded case, word widths of more than 16 bits can be achieved by using more than one device. By tying the  $RSOX$  and  $RSIX$  pins together, as shown in Figure 11, and programming which is the Least Significant Device, a cascaded serial word is achieved. The Least Significant Device is programmed by a LOW on the  $\overline{FL/DIR}$  pin during reset. All other devices should be programmed HIGH on the  $\overline{FL/DIR}$  pin at reset.

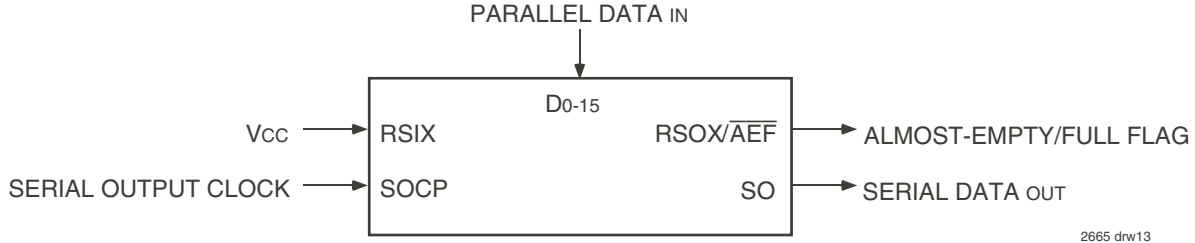


Figure 10. Single Device Configuration

TABLE 1 — RESET AND FIRST LOAD TRUTH TABLE- SINGLE DEVICE CONFIGURATION

Mode	Inputs			Internal Status		Outputs		
	$\overline{RS}$	$\overline{FL}$	DIR	Read Pointer	Write Pointer	$\overline{AEF}$ , $\overline{EF}$	$\overline{FF}$	$\overline{HF}$
Reset	0	X	X	LocationZero	LocationZero	0	1	1
Read/Write	1	X	0,1	Increment <sup>(1)</sup>	Increment <sup>(1)</sup>	X	X	X

NOTE:

1. Pointer will increment if appropriate flag is HIGH

The Serial Data Output ( $SO$ ) of each device in the serial word must be tied together. Since the  $SO$  pin is three stated, only the device which is currently shifting out is enabled and driving the 1-bit bus. NOTE: After reset, the level on the  $\overline{FL/DIR}$  pin decides if the Least Significant or Most Significant Bit is read first out of each device.

The three flag outputs, Empty ( $\overline{EF}$ ), Half-Full ( $\overline{HF}$ ) and Full ( $\overline{FF}$ ), should be taken from the Most Significant Device (in the example, FIFO #2). The Almost-Empty/Almost-Full flag is not available. The  $RSOX$  pin is used for expansion.

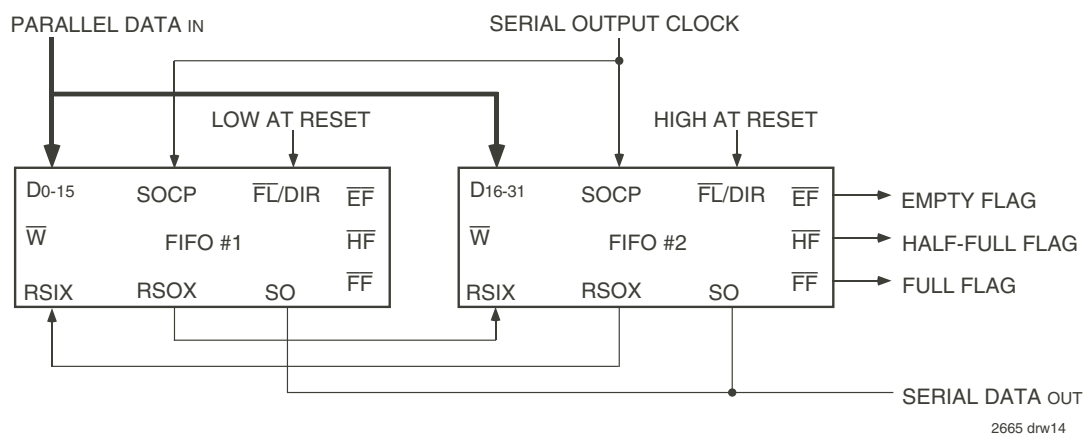


Figure 11. Width Expansion for 32-bit Parallel Data In

## OPERATING CONFIGURATIONS

### SINGLE DEVICE MODE

The IDT72125 can easily be adapted to applications requiring greater than 1,024 words. Figure 12 demonstrates Depth Expansion using three IDT72125s and an 74FCT138 Address Decoder. Any depth can be attained by adding additional devices. The Address Decoder is necessary to determine which FIFO is being written. A word of data must be written sequentially into each FIFO so that the data will be read in the correct sequence. These devices operate in the Depth Expansion Mode when the following conditions are met:

1. The first device must be programmed by holding  $\overline{FL}$  LOW at Reset. All other devices must be programmed by holding  $\overline{FL}$  HIGH at reset.
2. The Read Serial Out Expansion pin (RSOX) of each device must be tied to the Read Serial In Expansion pin (RSIX) of the next device (see Figure 12).

3. External logic is needed to generate composite Empty, Half-Full and Full Flags. This requires the ORing of all  $\overline{EF}$ , HF and FF Flags.
4. The Almost-Empty and Almost-Full Flag is not available due to using the RSOX pin for expansion.

### COMPOUND EXPANSION (DAISY CHAIN) MODE

These FIFOs can be expanded in both depth and width as Figure 13 indicates:

1. The RSOX-to-RSIX expansion signals are wrapped around sequentially.
2. The write ( $\overline{W}$ ) signal is expanded in width.
3. Flag signals are only taken from the Most Significant Devices.
4. The Least Significant Device in the array must be programmed with a LOW on  $\overline{FL}/\overline{DIR}$  during reset.

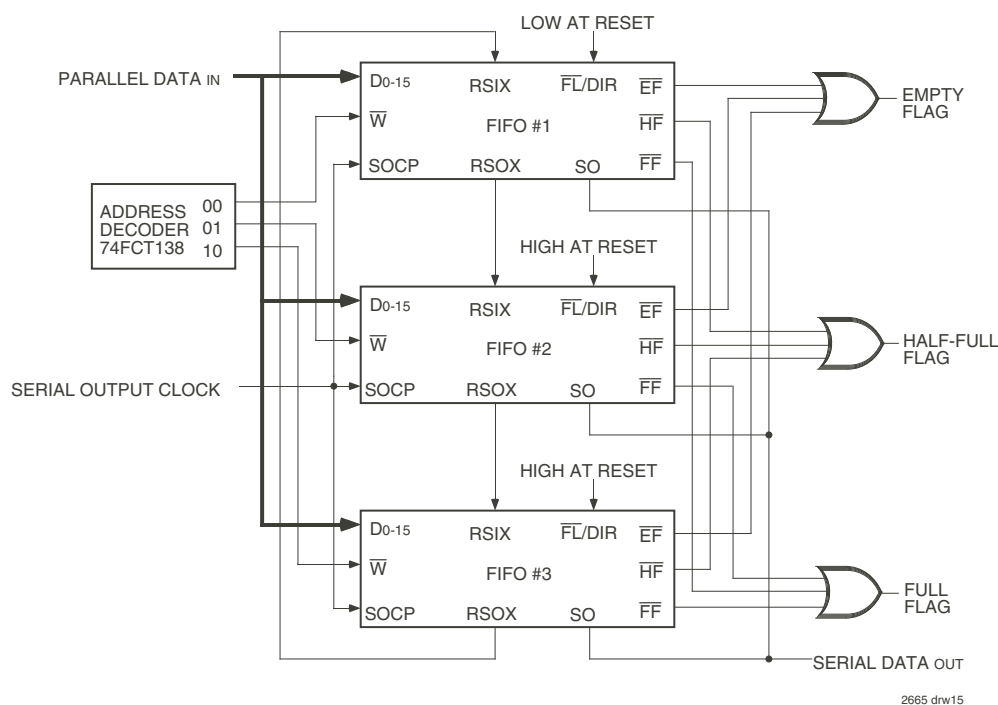


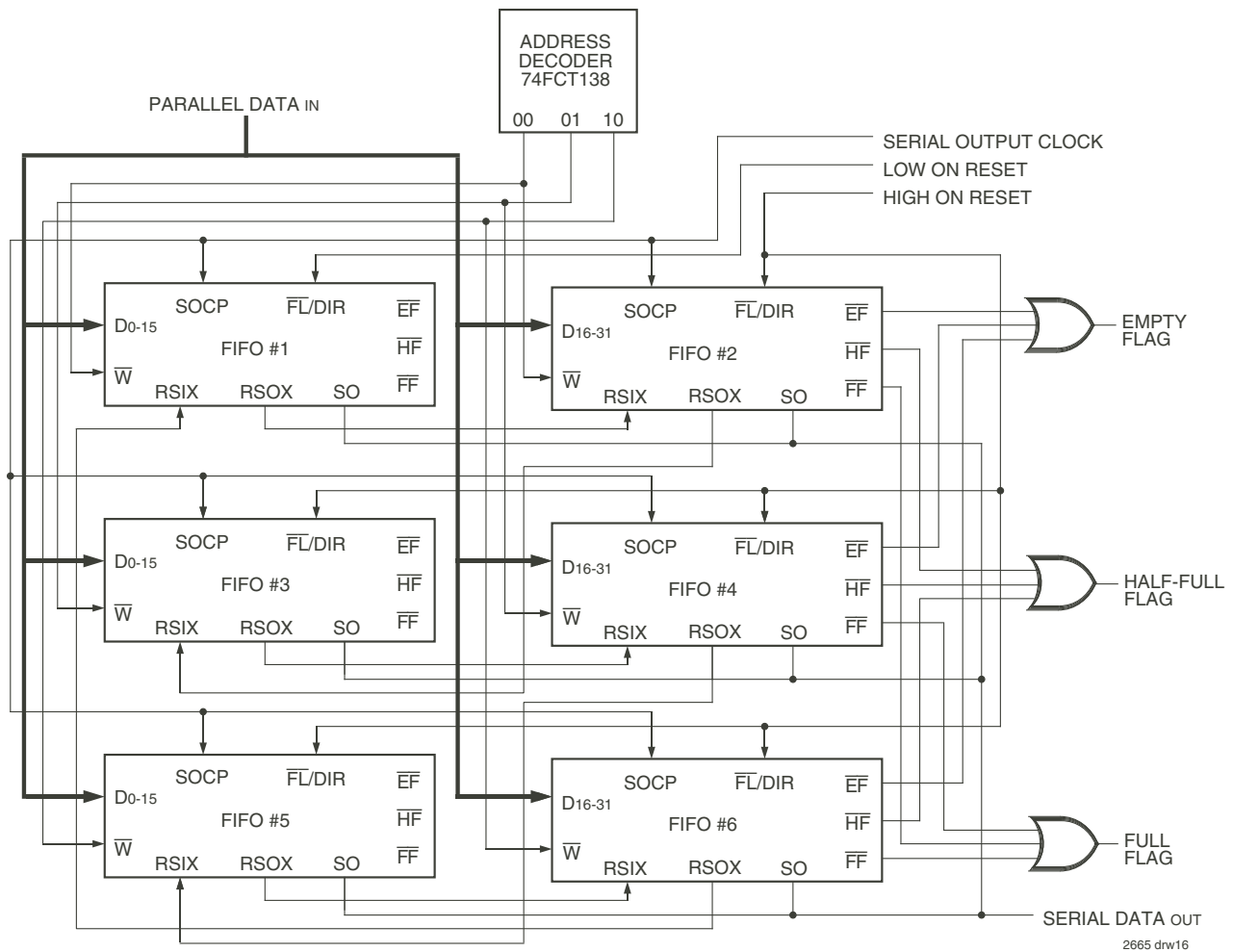
Figure 12. A 3K x 16 Parallel-to-Serial FIFO using the IDT72125

**TABLE 2 — RESET AND FIRST LOAD TRUTH TABLE-  
WIDTH/DEPTH COMPOUND EXPANSION MODE**

Mode	Inputs			Internal Status		Outputs	
	$\overline{RS}$	$\overline{FL}$	DIR	Read Pointer	Write Pointer	$\overline{EF}$	$\overline{HF}$ , $\overline{FF}$
Reset-First Device	0	0	X	LocationZero	LocationZero	0	1
Reset All Other Devices	0	1	X	LocationZero	LocationZero	0	1
Read/Write	1	X	0,1	X	X	X	X

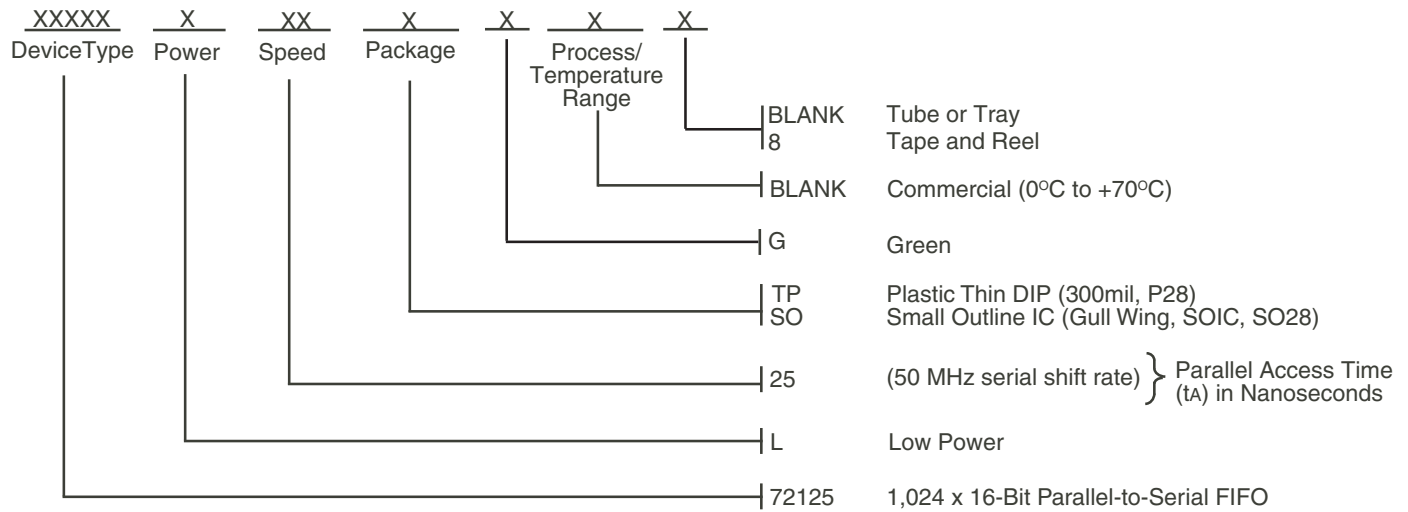
**NOTE:**

1.  $\overline{RS}$  = Reset Input,  $\overline{FL}/\overline{DIR}$  = First Load/Direction,  $\overline{EF}$  = Empty Flag Output,  $\overline{HF}$  = Half-Full Flag Output,  $\overline{FF}$  = Full Flag Output.



**Figure 13. A 3K x 32 Parallel-to-Serial FIFO using the IDT72125**

# ORDERING INFORMATION



## IMPORTANT NOTICE AND DISCLAIMER

RENESAS ELECTRONICS CORPORATION AND ITS SUBSIDIARIES (“RENESAS”) PROVIDES TECHNICAL SPECIFICATIONS AND RELIABILITY DATA (INCLUDING DATASHEETS), DESIGN RESOURCES (INCLUDING REFERENCE DESIGNS), APPLICATION OR OTHER DESIGN ADVICE, WEB TOOLS, SAFETY INFORMATION, AND OTHER RESOURCES “AS IS” AND WITH ALL FAULTS, AND DISCLAIMS ALL WARRANTIES, EXPRESS OR IMPLIED, INCLUDING, WITHOUT LIMITATION, ANY IMPLIED WARRANTIES OF MERCHANTABILITY, FITNESS FOR A PARTICULAR PURPOSE, OR NON-INFRINGEMENT OF THIRD-PARTY INTELLECTUAL PROPERTY RIGHTS.

These resources are intended for developers who are designing with Renesas products. You are solely responsible for (1) selecting the appropriate products for your application, (2) designing, validating, and testing your application, and (3) ensuring your application meets applicable standards, and any other safety, security, or other requirements. These resources are subject to change without notice. Renesas grants you permission to use these resources only to develop an application that uses Renesas products. Other reproduction or use of these resources is strictly prohibited. No license is granted to any other Renesas intellectual property or to any third-party intellectual property. Renesas disclaims responsibility for, and you will fully indemnify Renesas and its representatives against, any claims, damages, costs, losses, or liabilities arising from your use of these resources. Renesas' products are provided only subject to Renesas' Terms and Conditions of Sale or other applicable terms agreed to in writing. No use of any Renesas resources expands or otherwise alters any applicable warranties or warranty disclaimers for these products.

(Disclaimer Rev.1.01 Jan 2024)

### Corporate Headquarters

TOYOSU FORESIA, 3-2-24 Toyosu,  
Koto-ku, Tokyo 135-0061, Japan  
[www.renesas.com](http://www.renesas.com)

### Trademarks

Renesas and the Renesas logo are trademarks of Renesas Electronics Corporation. All trademarks and registered trademarks are the property of their respective owners.

### Contact Information

For further information on a product, technology, the most up-to-date version of a document, or your nearest sales office, please visit [www.renesas.com/contact-us/](http://www.renesas.com/contact-us/).

## Looking for pricing, stock, or lifecycle information?

Click below to explore more details on WIN SOURCE:

- ⊖ [View 72125L25SOG](#) on WIN SOURCE
- ⊖ [Renesas Electronics America](#) Information

## Optimize Your Supply Chain with WIN SOURCE Solutions

- ✓ Global Sourcing Solution
- ✓ Obsolete Management
- ✓ Cost Control Management
- ✓ Shortage Management
- ✓ Alternative Solution
- ✓ Excess Inventory Management