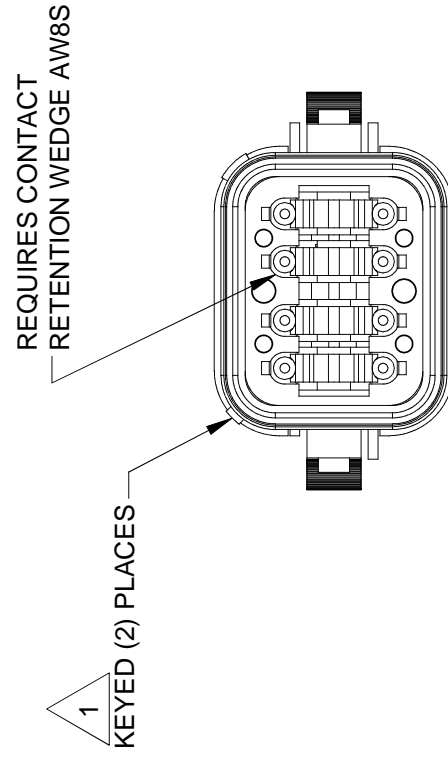
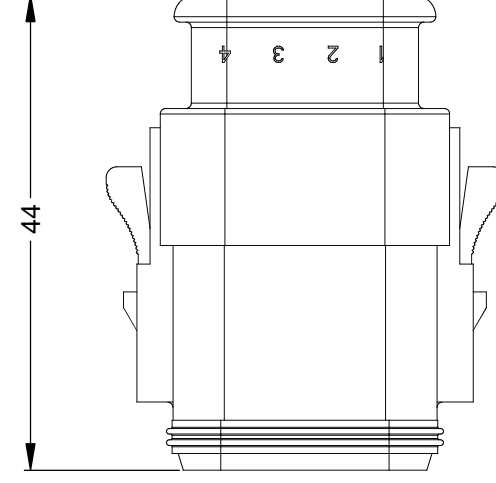
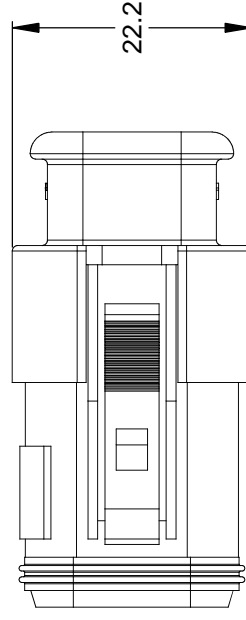
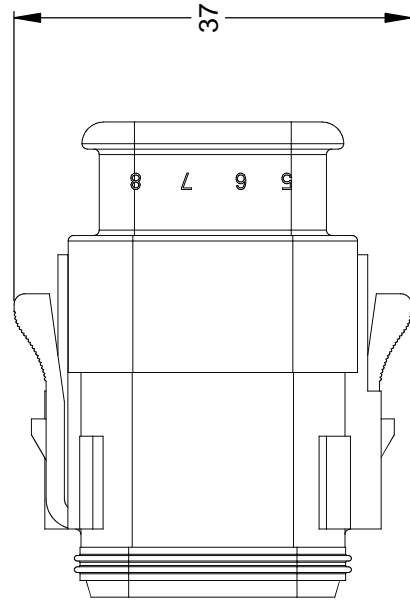




**THE DATASHEET OF
AT06-08SA-SR2GY**





NOTES: UNLESS OTHERWISE SPECIFIED

1 SEE SHEET 2 FOR KEY ARRANGEMENTS AND COLORS.

2. MATERIAL:
HOUSING: THERMOPLASTIC
SEAL: SILICONE RUBBER

3. MODIFICATIONS: STRAIN RELIEF END CAP;
REDUCED DIA. WIRE SEAL

4. SPECIFICATIONS:

- 4.1 CURRENT RATING: 13 AMPS
- 4.2 OPERATING TEMPERATURE: -55°C TO +125°C
- 4.3 DIELECTRIC WITHSTANDING VOLTAGE: LESS THAN 2 MILLIAMPS CURRENT LEAKAGE @ 1500 VOLTS AC.
- 4.4 INSULATION RESISTANCE: 1000 MEGOHMS MIN @ 25°C.
- 4.5 MOISTURE RESISTANCE: IP67 (MATED CONDITION)
- 4.6 MATING CYCLE DURABILITY: 100 CYCLES
- 4.7 RoHS COMPLIANT

5. MATING PART: AT04-08PX* RECEPTACLE
(X = A,B,C,D KEYS; * = MODIFICATIONS AND COLORS)

6. ALL DIMENSIONS ARE FOR REFERENCE USE ONLY.

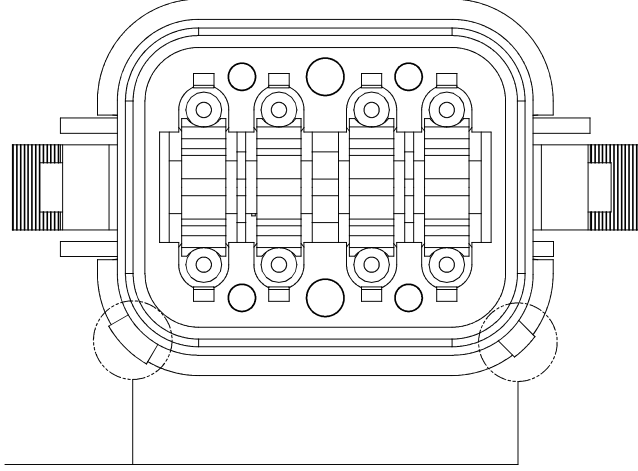
7 CONTACT SIZE AND REAR SEAL WIRE RANGE:

CONTACT SIZE	MIN. INSUL O.D.	MAX. INSUL O.D.	TYPICAL WIRE RANGE
16	1.35 mm (.053 in)	3.05 mm (.120 in)	14 - 20 AWG

QUANTIT	UNLESS OTH	MATERIAL SPECIF	PROCESS SPECIFIC	NEXT ASSY:
	1) All dimension			
	2) Tolerances a			
	1 PL DEC +0.3			
	2 PL DEC +0.1			
	3 PL DEC +0.0			
	3) Note referen			

P/N AT06-08SA-SR2GY
 KEY-A CONFIGURATION
 STANDARD COLOR: GREY

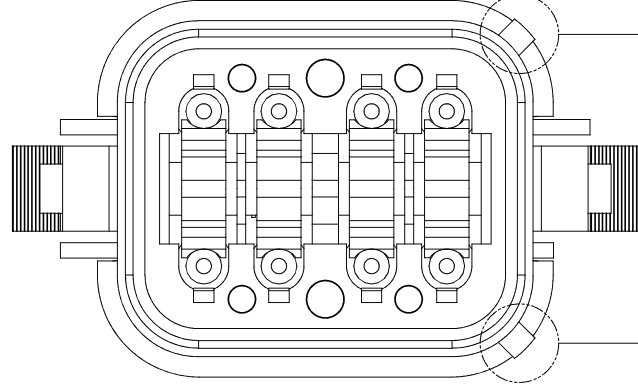
KEYED
 (2) PLACES



KEY-A CONFIGURATION	
COLOR	PART NUMBER
* GREY	AT06-08SA-SR2GY
BLACK	AT06-08SA-SR2BK
GREEN	AT06-08SA-SR2GN
BROWN	AT06-08SA-SR2BR

P/N AT06-08SB-SR2BK
 KEY-B CONFIGURATION
 STANDARD COLOR: BLACK

KEYED
 (2) PLACES

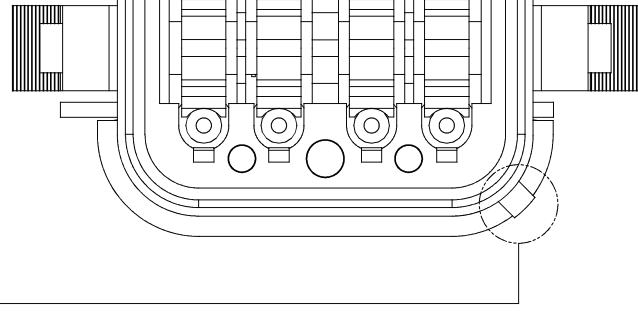


KEYED
 (2) PLACES

KEY-B CONFIGURATION	
COLOR	PART NUMBER
GREY	AT06-08SB-SR2GY
* BLACK	AT06-08SB-SR2BK
GREEN	AT06-08SB-SR2GN
BROWN	AT06-08SB-SR2BR

P/N AT06-08SC-S
 KEY-C CONFIGURATION
 STANDARD COLOR

KEYED



KEY-C CONFIGURATION	
COLOR	PART NUMBER
GREY	AT06-08SS
BLACK	AT06-08SS
* GREEN	AT06-08SS
BROWN	AT06-08SS

NOTE:

AN ASTERISKS (*) PLACED BEFORE THE COLOR DENOTES THE STANDARD MOLDED COLOR OF THE CONNECTORS SHOWN ABOVE. STRAIN RELIEF END CAPS ARE AVAILABLE IN BLACK ONLY.

OTHER COLORS SHOWN ARE AVAILABLE VIA SPECIAL ORDER.

QUANTIT	MATERIAL SPECIF
UNLESS OTH	PROCESS SPECIF
1) All dimension	NEXT ASSY.
2) Tolerances a	
1 PL DEC +0.5	
2 PL DEC +0.1	
3 PL DEC +0.0	
3) Note referen	

Looking for pricing, stock, or lifecycle information?

Click below to explore more details on WIN SOURCE:

[View AT06-08SA-SR2GY on WIN SOURCE](#)

[Amphenol Sine Systems Corp Information](#)

Optimize Your Supply Chain with WIN SOURCE Solutions

- ✓ Global Sourcing Solution
- ✓ Obsolete Management
- ✓ Cost Control Management
- ✓ Shortage Management
- ✓ Alternative Solution
- ✓ Excess Inventory Management