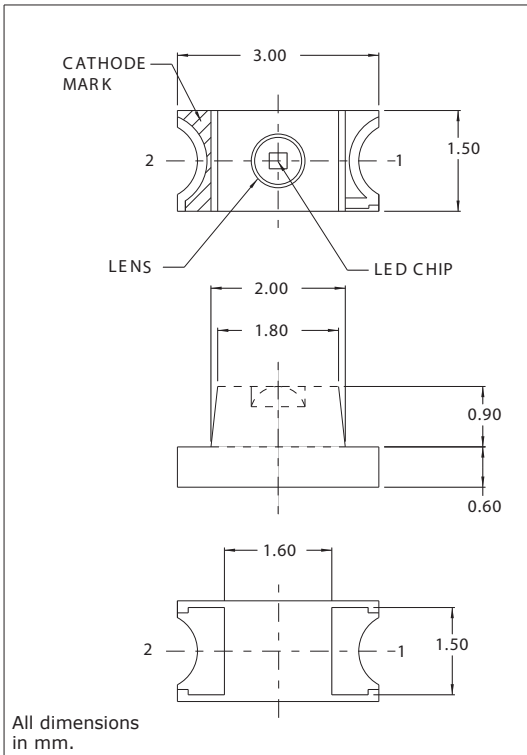




## 7010X Series SMT LEDs 1206 Package Size

### Description and Features



#### Surface Mount Technology

- Tape and reel packaged for high-speed autoinsertion.
- Convection and vapor-phase reflow compatible.
- Compact form enables high density placement.
- Packaged 2500 per reel.
- RoHS Compliant

#### Leading Edge LED Optoelectronic Performance

- Consistent high brightness.

#### Exceptional Reliability

- Stringent process controls assure quality.
- Extensive qualification testing to meet strictest requirements.
- Designed to permit easy post-reflow solder joint inspection.
- Refer to "Solder Pad Geometry 3.pdf"

## Electro-Optical Characteristics and Ratings

PART NUMBER	7010X7	7010X11
Output Color	Yellow	Red
Diffusion	Non-Diffused	Non-Diffused
Package Color	Clear	Clear
Test Current (mA)	20	20
Forward Voltage Typ. (V)	2.1	1.7
Forward Voltage Max. (V)	2.5	2.0
Luminous Intensity Min. (mcd)	6.0	6.0
Luminous Intensity Typ. (mcd)	12.0	17.0
Luminous Intensity Max. (mcd)	-	-
Peak Wavelength (nm)	570	660
Viewing Angle 20 1/2 (degrees)	70	70
Power Dissipation (mW)	75	60
Operating Temperature (°C)	-30 to +85	-30 to +85
Storage Temperature (°C)	-40 to +100	-40 to +100
Peak Forward Current Max. (1µs @ 10% duty cycle) (mA)	70	70
Reverse Voltage (IR=100µA) (V)	4	4
Lead Solder Time @ 260°C	5	5

## Looking for pricing, stock, or lifecycle information?

Click below to explore more details on WIN SOURCE:

- [View 7010X11 on WIN SOURCE](#)
- [Visual Communications Company - VCC Information](#)

## Optimize Your Supply Chain with WIN SOURCE Solutions

- ✓ Global Sourcing Solution
- ✓ Obsolete Management
- ✓ Cost Control Management
- ✓ Shortage Management
- ✓ Alternative Solution
- ✓ Excess Inventory Management