



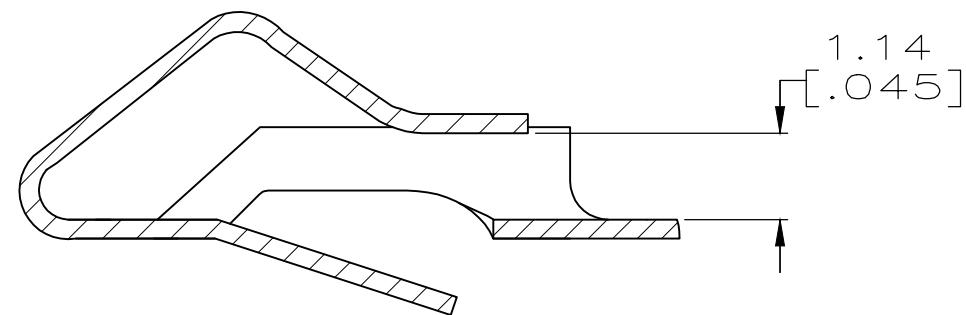
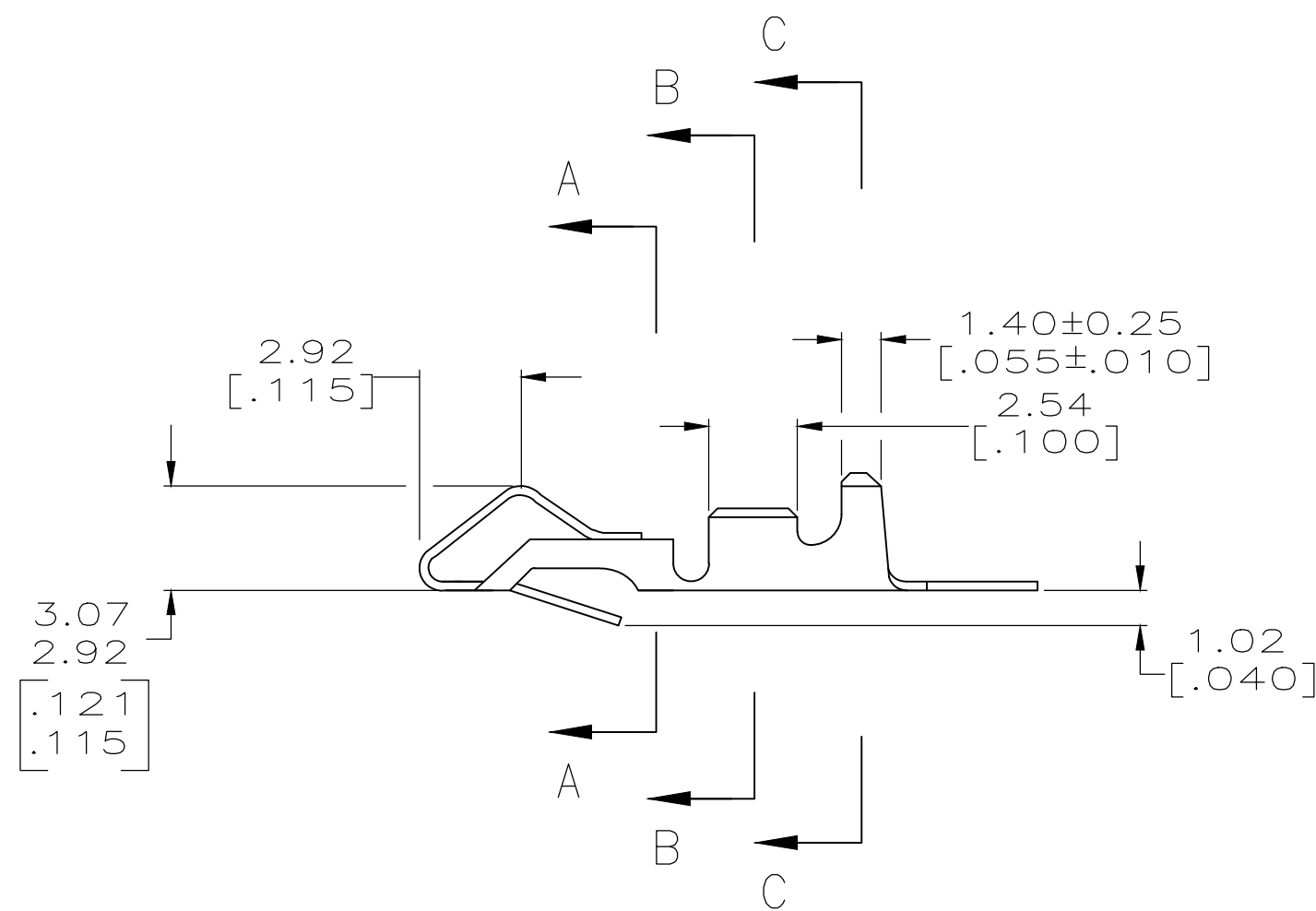
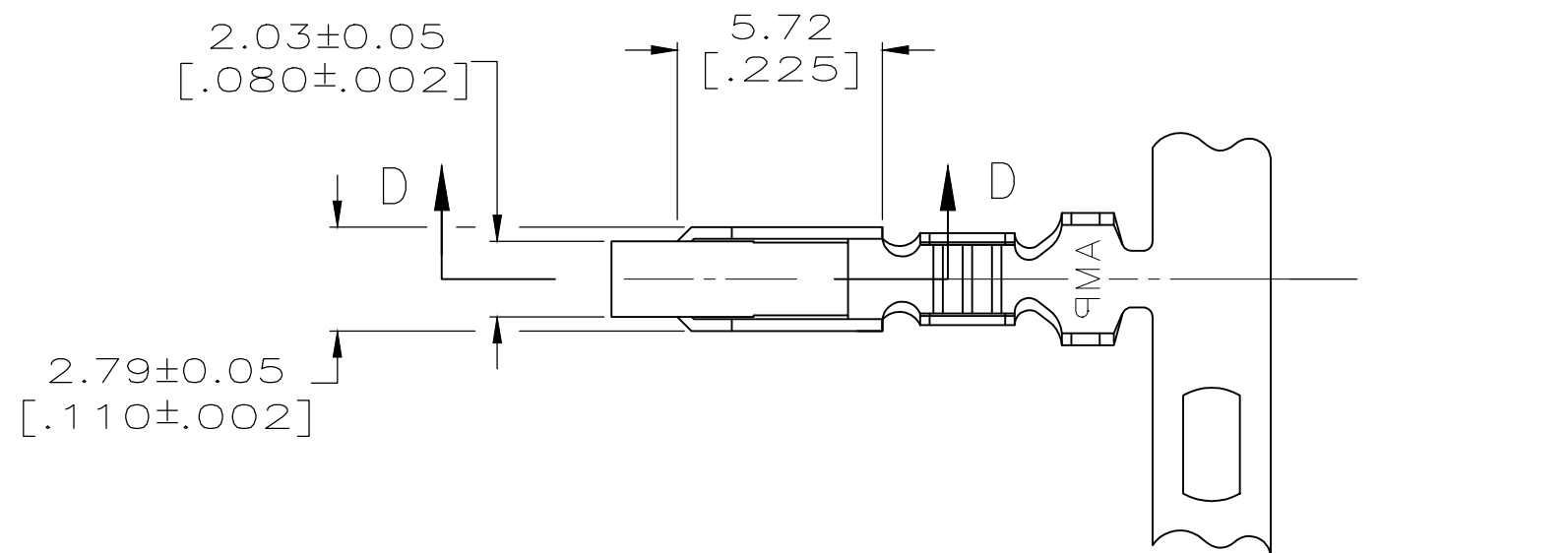
THE DATASHEET OF
640252-1



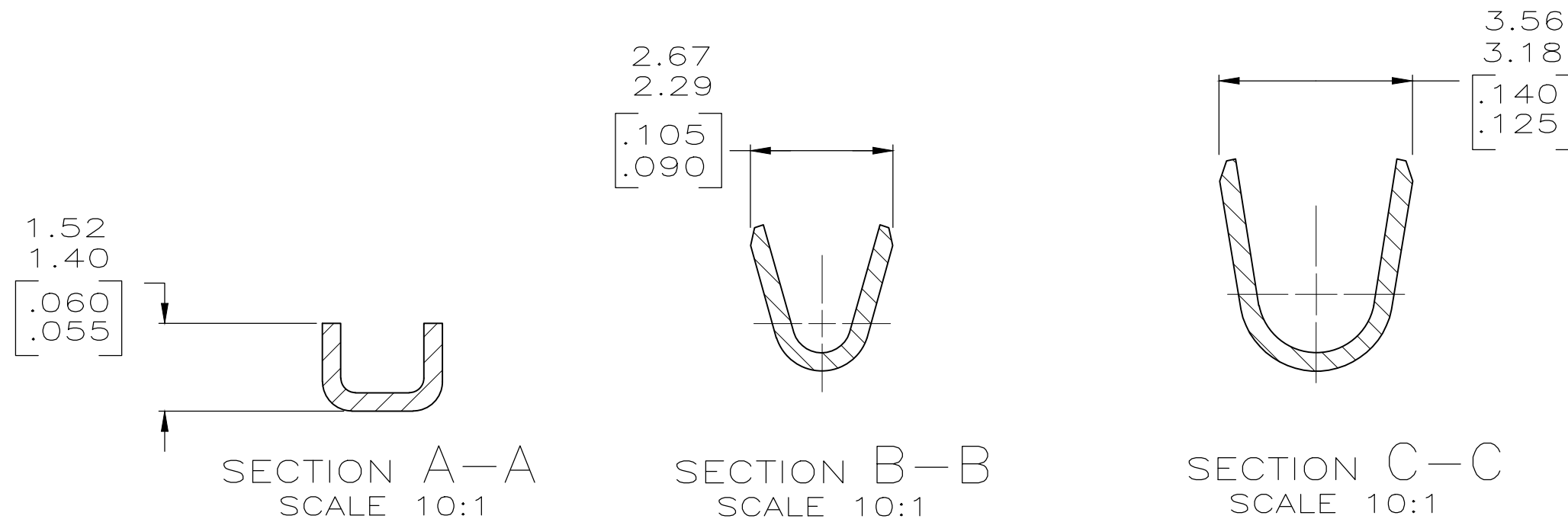
THIS DRAWING IS UNPUBLISHED. RELEASED FOR PUBLICATION
 © COPYRIGHT - By - ALL RIGHTS RESERVED.

LOC	DIST	REVISIONS			
P	LTR	DESCRIPTION	DATE	DWN	APVD
CM	00				
		W3 REVISED PER ECR-18-001701	21FEB2018	BDA	SG

- ① 0.00203 [.000080] MIN BRIGHT TIN-LEAD OVER
0.00127 [.000050] MIN NICKEL.
- ② 0.00330 [.000130] MAX PRE-TIN.
- ③ 0.00013 [.000005] GOLD OVER 0.00127 [.000050]
MIN NICKEL ALL OVER AND 0.00076 [.000030] MIN
GOLD ON CONTACT AREA.
- 4. WIRE RANGE: 0.2-0.9mm² (24-18 AWG).
INSULATION RANGE: 2.79 [.110] DIA MAX.
- 5. DIMENSIONS IN BRACKETS ARE IN INCHES.
- ⑥ 0.00203 [.000080] MIN BRIGHT TIN OVER
0.00127 [.000050] MIN NICKEL.
- ⑦ OBSOLETE PARTS



SECTION D-D
SCALE 10:1




MINI	SEE 3-640706-1	⑥	3-640252-1
MINI	SEE 640706-2	②	640252-2
⑦ SUPERSEDED	MINI SEE 640706-1	①	-640252-1-
APPLICATOR	LOOSE PIECE	FINISH	PART NO

THIS DRAWING IS A CONTROLLED DOCUMENT.		DWN S. CARPENTER 21AUG2003	STE TE Connectivity	
DIMENSIONS: INCHES		CHK J. ELLIS 21AUG2003		
TOLERANCES UNLESS OTHERWISE SPECIFIED:		APVD J. ELLIS 21AUG2003	NAME RECEPTACLE, SL-156	
0 PLC ±		PRODUCT SPEC	SIZE A2	
1 PLC ±		APPLICATION SPEC	CAGE CODE 00779	
2 PLC ± 0.13 [.005]		WEIGHT	DRAWING NO C-640252	
3 PLC ±		CUSTOMER DRAWING	RESTRICTED TO -	
4 PLC ±		SCALE 5:1	SHEET 1 OF 1	
ANGLES ±		REV W3		
FINISH SEE TABLE				

Looking for pricing, stock, or lifecycle information?

Click below to explore more details on WIN SOURCE:

 [View 640252-1 on WIN SOURCE](#)

 [TE Connectivity](#) Information

Optimize Your Supply Chain with WIN SOURCE Solutions

-  Global Sourcing Solution
-  Obsolete Management
-  Cost Control Management
-  Shortage Management
-  Alternative Solution
-  Excess Inventory Management