



**THE DATASHEET OF
50050**



TBF
TBF 19/15/14 trsp

Weidmüller Interface GmbH & Co. KG
Klingenbergstraße 16
D-32758 Detmold
Germany
Fon: +49 5231 14-0
Fax: +49 5231 14-292083
www.weidmueller.com



Polyester housings The housings of the TBF series are made of extremely tough glass fibre-reinforced polyester. These enclosures are ideal for applications that call for low weight coupled with high shock resistance. The weather-resistant TBF enclosures are designed for a wide range of applications. Together with their comprehensive range of accessories, they provide universal solutions for accommodating built-in items such as regulators, measuring instruments, valves and other equipment.

Features:

- 9 sizes in 2 versions
- cover with nylon screws
- fixing holes outside the sealed area
- Thread for fitting to terminal rails and mounting plates
- Comprehensive accessories Weidmüller can manufacture and supply this housing to match customer specifications, fitted with all necessary terminals and cable glands.

General ordering data

Type	TBF 19/15/14 trsp
Order No.	0500500000
Version	Enclosures, Glass fibre-reinforced polyester, 186 mm, 151 mm
GTIN (EAN)	4032248043828
Qty.	1 pc(s).

Data sheet

TBF
TBF 19/15/14 trsp

Weidmüller Interface GmbH & Co. KG
Klingenbergstraße 16
D-32758 Detmold
Germany
Fon: +49 5231 14-0
Fax: +49 5231 14-292083
www.weidmueller.com

Technical data

Dimensions and weights

Length	140 mm	Width	151 mm
Height	186 mm	Weight	1,055 g
Net weight	810 g		

Cable glands, right

M12 (2)	11	M16 (2)	6
M20 (2)	2	M25 (2)	2
M32 (2)	1	M40 (2)	1
Side of enclosure	left, top, right, Bottom		

Cable glands, top/bottom

M12	11	M16	6
M20	2	M25	2
M32	1	M40	1
Side of enclosure	left, top, right, Bottom		

General information

Areas of use	Building systems and technology, Transportation, Packaging industry, Machine construction	Toxicity	Free from halogens
UL 94 flammability rating	V-2	Material	Glass fibre-reinforced polyester
Seal material	Polyurethane	Colour code	RAL 7036
Operating temperature, min.	-50 °C	Operating temperature, max.	130 °C
Impact resistance	7.00 J	Protection degree	IP 66
Enclosure attachment	6.5 mm hole in enclosure base	Cover attachment	Crosshead nylon screws
Integral fixing	4 or 6 stud bolts M6 inner (female) thread		

General information on accessories

Material	Glass fibre-reinforced polyester
----------	----------------------------------

horizontal assembly

WDU 10 ZDU 10	1x9	WDU 16 ZDU 16	1x6
WDU 2,5 ZDU 2,5 IDU 2,5	1x18	WDU 35 ZDU 35	1x5
WDU 4 ZDU 4	1x15	WDU 6 ZDU 6	1x11

vertical assembly

WDU 10 ZDU 10 (2)	1x6	WDU 16 ZDU 16 (2)	1x4
WDU 2,5 ZDU 2,5 IDU 2,5 (2)	1x11	WDU 35 ZDU 35 (2)	1x3
WDU 4 ZDU 4 (2)	1x9	WDU 6 ZDU 6 (2)	1x7

Data sheet

TBF
TBF 19/15/14 trsp

Weidmüller Interface GmbH & Co. KG
 Klingenbergstraße 16
 D-32758 Detmold
 Germany
 Fon: +49 5231 14-0
 Fax: +49 5231 14-292083
 www.weidmueller.com

Technical data

Classifications

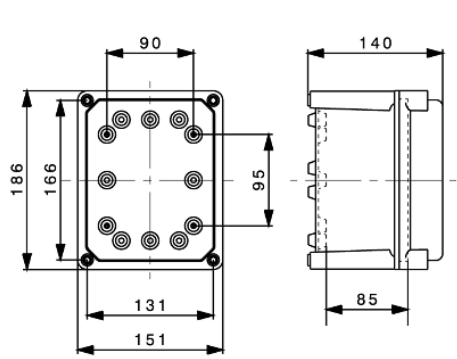
ETIM 3.0	EC000058	UNSPSC	31-26-15-02
eClass 5.1	27-14-91-07	eClass 6.2	27-14-91-07
eClass 7.1	27-14-91-07		

Product information

Descriptive text accessories If using an extension frame, the protection class (IP) is reduced.


Approvals

ROHS Conform

Data sheet**TBF**
TBF 19/15/14 trsp**Weidmüller Interface GmbH & Co. KG**
Klingenbergstraße 16
D-32758 Detmold
Germany
Fon: +49 5231 14-0
Fax: +49 5231 14-292083
www.weidmueller.com**Drawings**

Looking for pricing, stock, or lifecycle information?

Click below to explore more details on WIN SOURCE:

 [View 50050 on WIN SOURCE](#)

 [Weidmuller Information](#)

Optimize Your Supply Chain with WIN SOURCE Solutions

-  Global Sourcing Solution
-  Obsolete Management
-  Cost Control Management
-  Shortage Management
-  Alternative Solution
-  Excess Inventory Management