



THE DATASHEET OF
0430450802

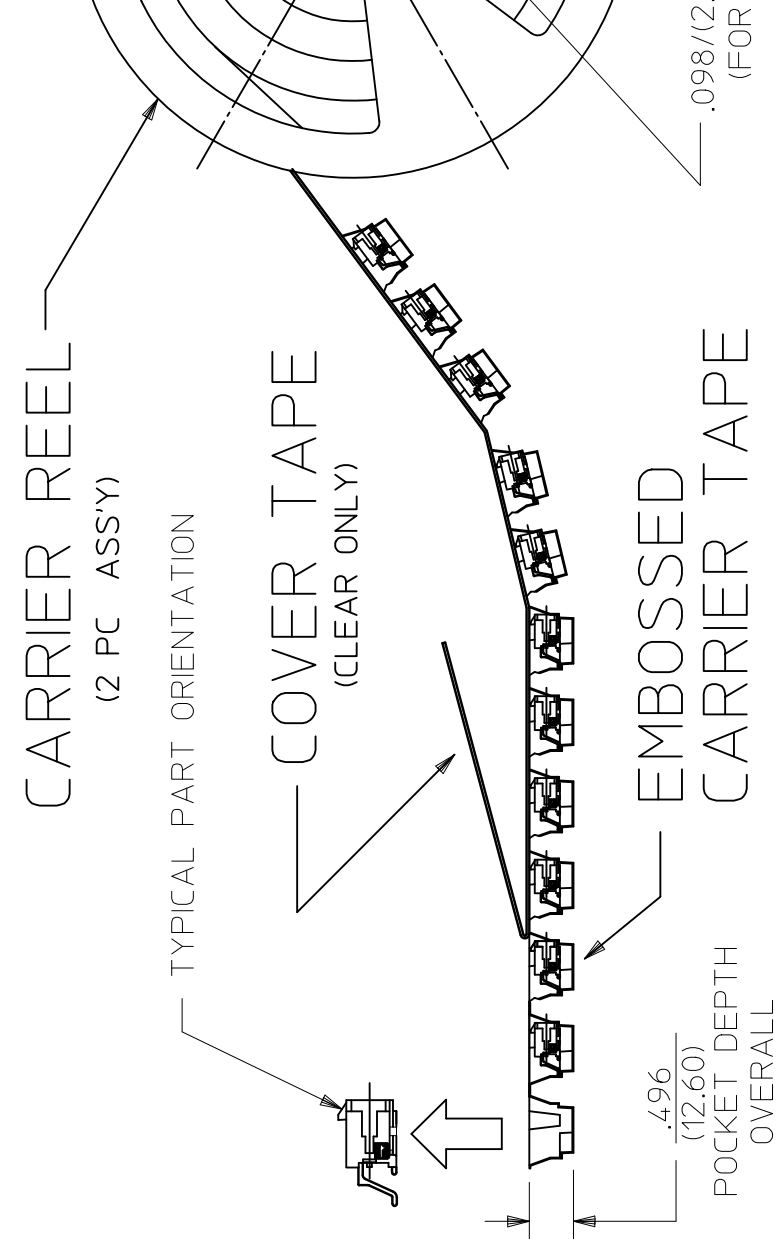


TAPE AND REEL SPECIFICATIONS FOR ALL RIGHT ANGLE SURFACE MOUNT MICRO-FIT(3.0)

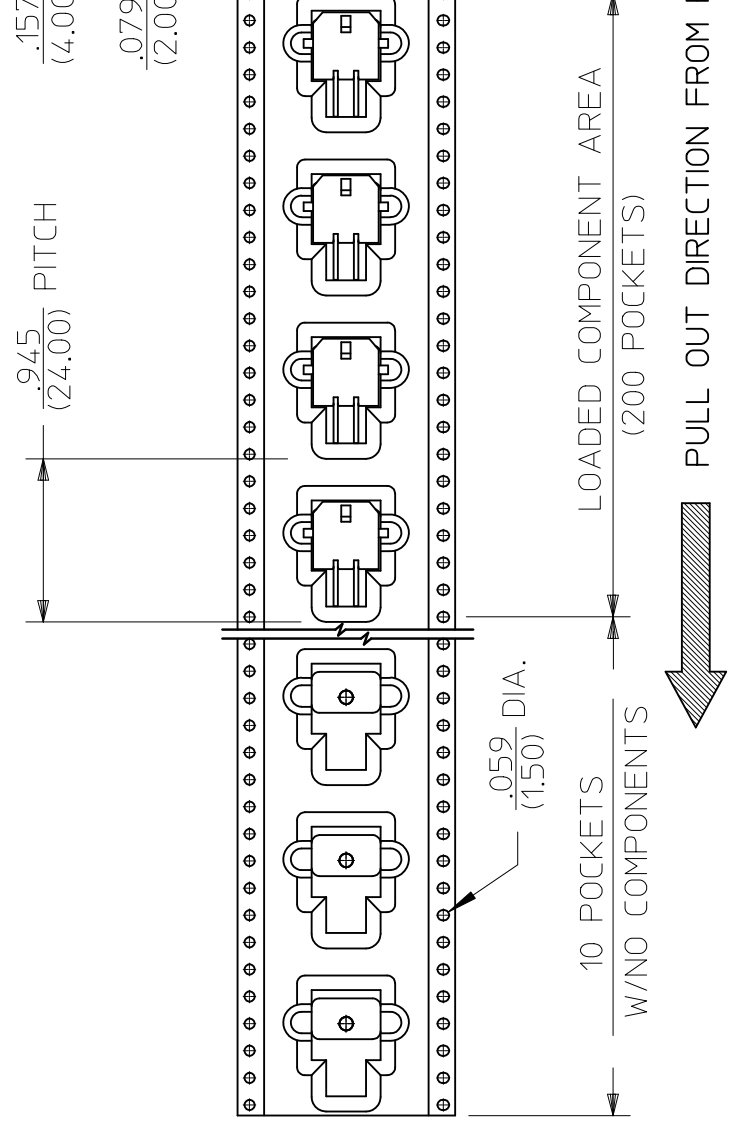
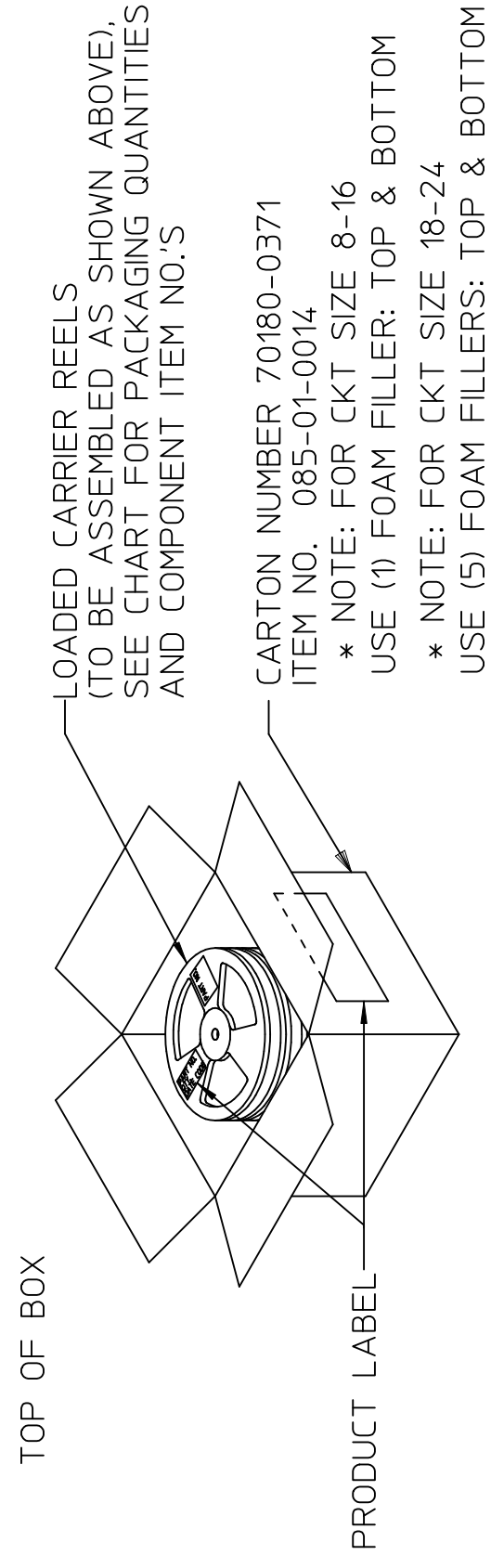
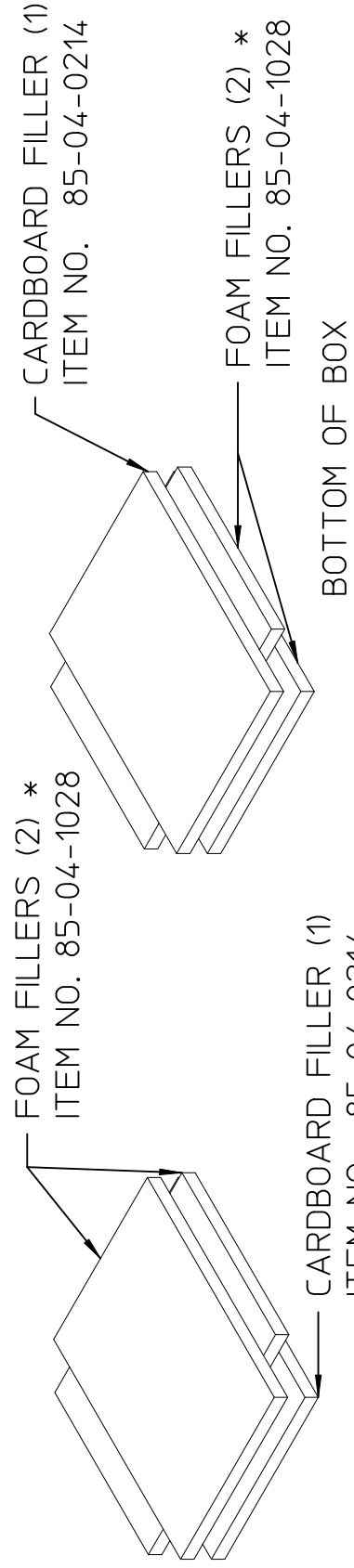
PACKAGING ITEM NO.	ASSEMBLY ITEM NO.	EMBOSSED TAPE ITEM NO.	CKT. SIZE	PARTS PER REEL	REELS/CARTON	SPO PARTS PER CARTON	COVER TAPE ITEM NO.	CARRIER REEL/HALF ITEM NO.	CARRIER REEL/HALF ITEM NO.	DIM A
70873-0502	43045-02**	70180-2702	2	200	9	1800	43655-0001	70180-6501	70180-6501	1.260/(32.00)
70873-0504	43045-04**	70180-2704	4	200	9	1800	43655-0001	70180-6501	70180-6501	1.260/(32.00)
70873-0506	43045-06**	70180-2706	6	200	9	1800	43655-0001	70180-6501	70180-6501	1.260/(32.00)
70873-0508	43045-08**	70180-2708	8	200	7	1400	43655-0002	70180-6501	70180-6502	1.732/(44.00)
70873-0510	43045-10**	70180-2710	10	200	7	1400	43655-0002	70180-6501	70180-6502	1.732/(44.00)
70873-0512	43045-12**	70180-2712	12	200	7	1400	43655-0002	70180-6501	70180-6502	1.732/(44.00)
70873-0514	43045-14**	70180-2714	14	200	7	1400	43655-0002	70180-6501	70180-6502	1.732/(44.00)
70873-0516	43045-16**	70180-2716	16	200	5	1000	43655-0003	70180-6502	70180-6502	2.205/(56.00)
70873-0518	43045-18**	70180-2718	18	200	5	1000	43655-0003	70180-6502	70180-6502	2.205/(56.00)
70873-0520	43045-20**	70180-2720	20	200	5	1000	43655-0003	70180-6502	70180-6502	2.205/(56.00)
70873-0522	43045-22**	70180-2722	22	200	5	1000	43655-0003	70180-6502	70180-6502	2.205/(56.00)
70873-0524	43045-24**	70180-2724	24	200	5	1000	43655-0003	70180-6502	70180-6502	2.205/(56.00)

NOTES:

- 1) PACKAGING MATERIALS: EMBOSSED CARRIER TAPE IS POLYSTYRENE (PS); TOP COVER TAPE IS A COMPOSITE OF POLYETHYLENE TEREPHTHALATE (PET), POLYETHYLENE (PE), AND POLYFILM (PEF), CARRIER REEL IS POLYSTYRENE (PS).
- 2) THIS CONNECTOR COMPLIES WITH MOLEX PRODUCT SPECIFICATION PS-43045.
- 3) EACH REEL MUST BE LOADED WITH 200 CONNECTORS (SEE NOTE 5).
- 4) THE FOLLOWING NOTES HAVE BEEN DERIVED FROM THE E.I.A. STANDARDS 481.
- 5) CONNECTOR MINIMUMS/REEL ARE SHOWN ABOVE, IN NO CASE SHALL THERE BE TWO CONSECUTIVE COMPONENTS MISSING BETWEEN THE FIRST AND LAST PART OF ANY REEL.
- 6) THE TOP COVER TAPE SHALL BE CLEAR ONLY, NOT EXTEND OVER THE EDGES OF THE CARRIER TAPE OR COVER ANY PART OF THE SPROCKET HOLES.
- 7) ADJACENT LAYERS OF TAPE SHALL NOT STICK TOGETHER WHEN WOUND ON THE CARRIER REEL.
- 8) THE TOP COVER TAPE MUST BE SECURELY ATTACHED TO THE EMBOSSED CARRIER TAPE BY USE OF HEAT.
- 9) EACH REEL SHALL HAVE A LABEL AFFIXED TO IT WITH THE FOLLOWING INFORMATION: PART NO., QUANTITY=200, AND DATE CODE. LABELS SHOWN FOR ILLUSTRATION ONLY. LABELS TO BE LOCATED ON SIDE OF REEL OPPOSITE THE ROUND SPROCKET HOLES.
- 10) TAPE SPLICES ARE NOT PERMITTED.
- 11) THE TOP COVER TAPE SHALL HAVE A TOTAL PEEL STRENGTH OF 0.1-0.7 NEWTONS WHEN PULLED OPPOSITE THE DIRECTION OF CARRIER TAPE TRAVEL. THE CARRIER AND/OR COVER TAPE SHALL BE PULLED WITH A VELOCITY OF 120±mm PER MINUTE.
- 12) ALL DIMENSIONS ARE SHOWN FOR REFERENCE ONLY.



- 1) THE TOP COVER TAPE SHALL BE CLEAR ONLY, NOT EXTEND OVER THE EDGES OF THE CARRIER TAPE OR COVER ANY PART OF THE SPROCKET HOLES.
- 2) ADJACENT LAYERS OF TAPE SHALL NOT STICK TOGETHER WHEN WOUND ON THE CARRIER REEL.
- 3) THE TOP COVER TAPE MUST BE SECURELY ATTACHED TO THE EMBOSSED CARRIER TAPE BY USE OF HEAT.
- 4) EACH REEL SHALL HAVE A LABEL AFFIXED TO IT WITH THE FOLLOWING INFORMATION: PART NO., QUANTITY=200, AND DATE CODE. LABELS SHOWN FOR ILLUSTRATION ONLY. LABELS TO BE LOCATED ON SIDE OF REEL OPPOSITE THE ROUND SPROCKET HOLES.
- 5) TAPE SPLICES ARE NOT PERMITTED.
- 6) THE TOP COVER TAPE SHALL HAVE A TOTAL PEEL STRENGTH OF 0.1-0.7 NEWTONS WHEN PULLED OPPOSITE THE DIRECTION OF CARRIER TAPE TRAVEL. THE CARRIER AND/OR COVER TAPE SHALL BE PULLED WITH A VELOCITY OF 120±mm PER MINUTE.
- 7) ALL DIMENSIONS ARE SHOWN FOR REFERENCE ONLY.



QUALITY SYMBOLS	GENERAL TOLERANCES (UNLESS SPECIFIED)	DIMENSION STYLE IN/MM
$\nabla = 0$	4 PLACES ± --- INCH	DRAWN BY DATE
$\nabla = 0$	3 PLACES ± ---	BAP 1996/02/08
$\nabla = 3$	2 PLACES ± ---	CHECKED BY DATE
	1 PLACE ± ---	BAP 1995/02/08
	ANGULAR ±1/2°	APPROVED BY DATE
		RJF 1995/02/08
		MATERIAL NO.
		SEE CHART
	DRAFT WHERE APPLICABLE MUST REMAIN WITHIN DIMENSIONS	THIS DRAWING CONTACT INCORPORATED AND S

REV	DESCRIPTION
01	UPDATE BORDER
02	EC NO: UCP2011-0440
03	DRWN:GMARANANI 2010/08/17
04	CHKD:SSOUSEK 2010/08/17
05	APPR:FSMITH 2010/10/04

Looking for pricing, stock, or lifecycle information?

Click below to explore more details on WIN SOURCE:

[View 0430450802 on WIN SOURCE](#)

[Molex, LLC Information](#)

Optimize Your Supply Chain with WIN SOURCE Solutions

- ✓ Global Sourcing Solution
- ✓ Obsolete Management
- ✓ Cost Control Management
- ✓ Shortage Management
- ✓ Alternative Solution
- ✓ Excess Inventory Management