

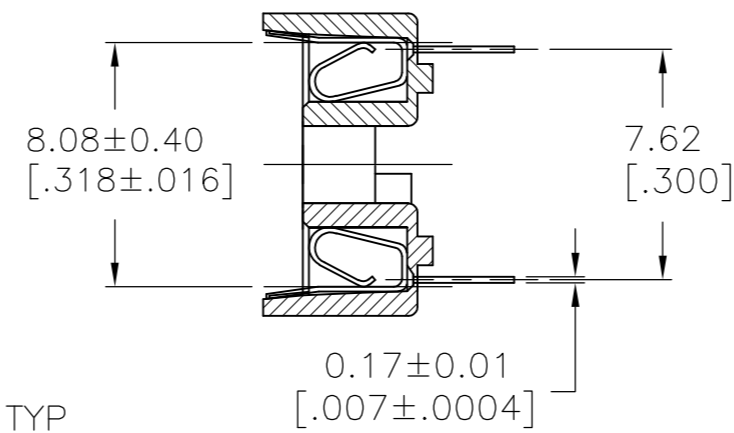
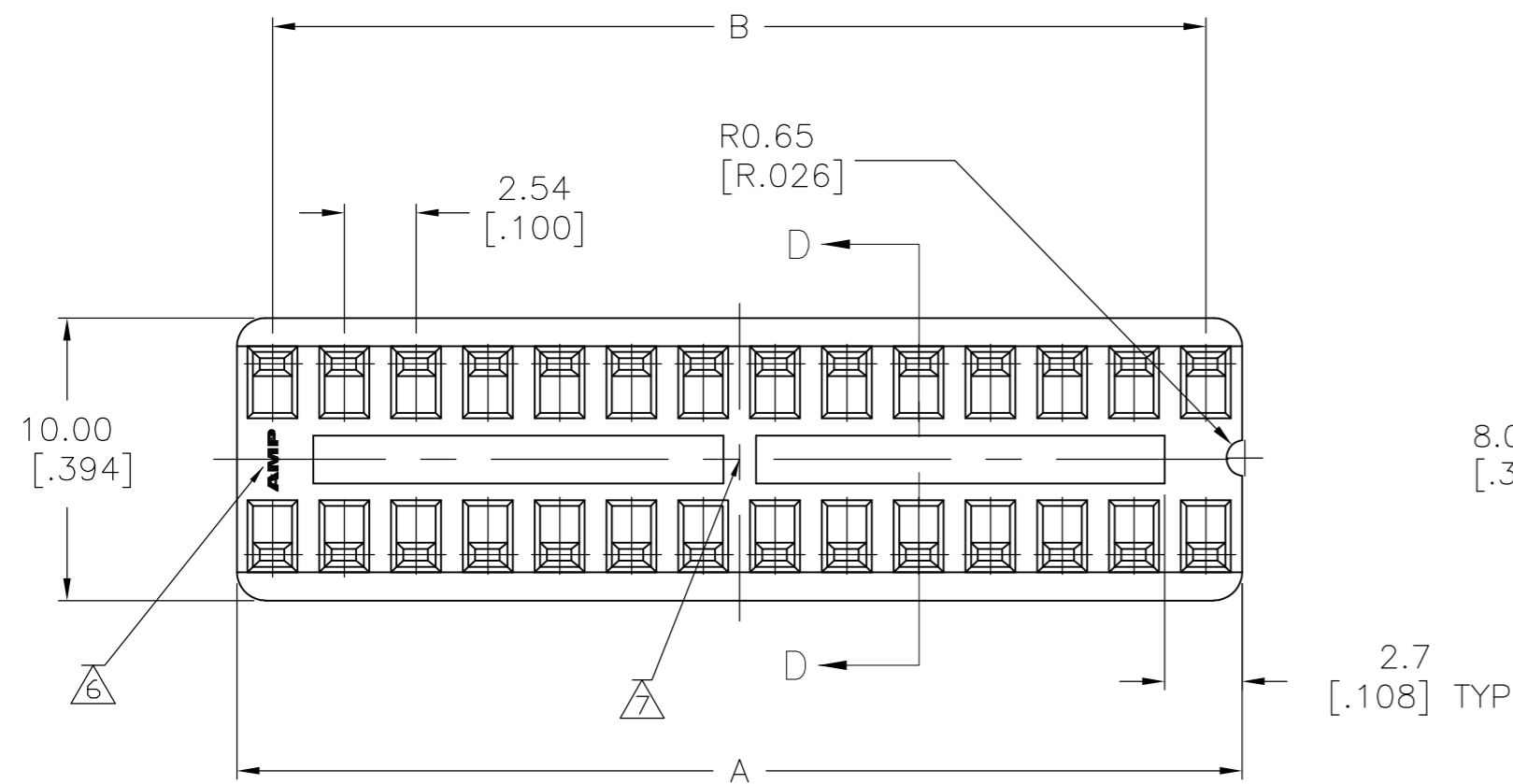


THE DATASHEET OF
1-390261-1

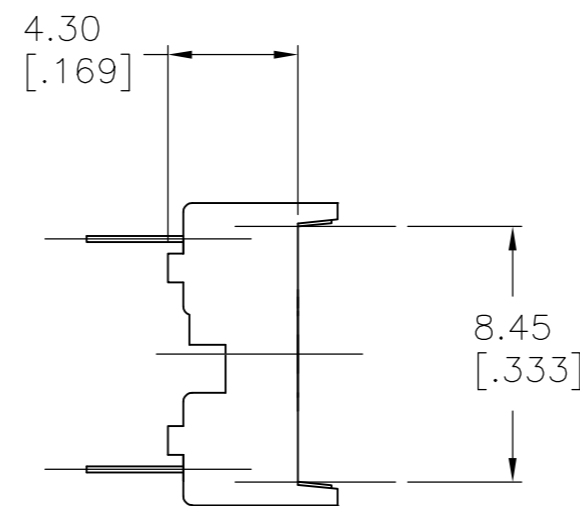
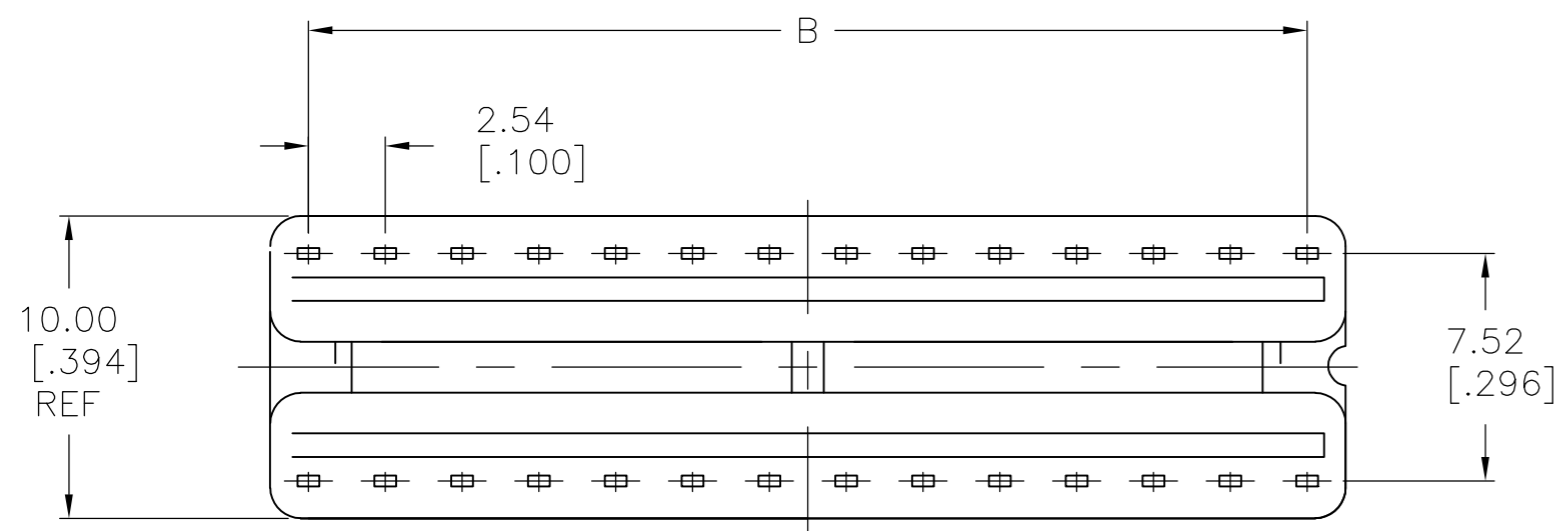
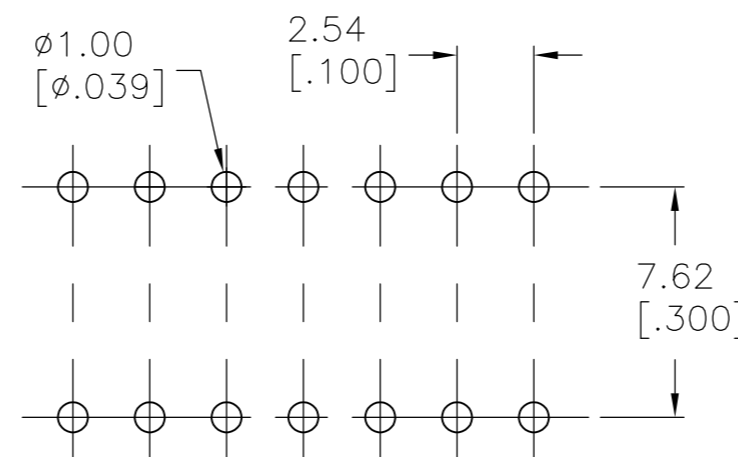
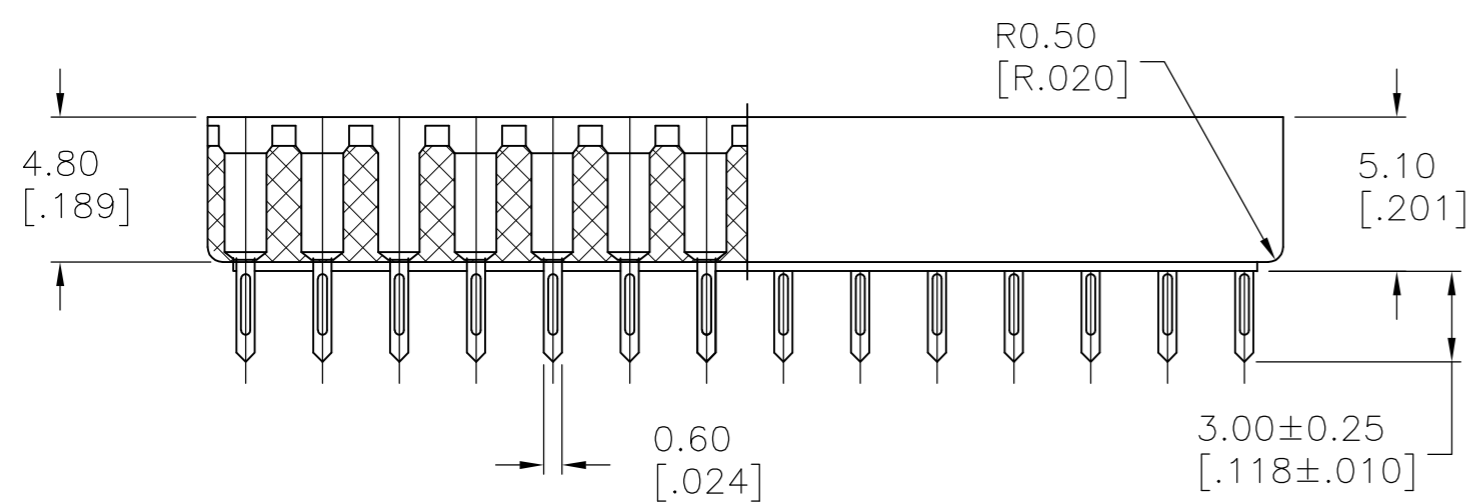


THIS DRAWING IS UNPUBLISHED. RELEASED FOR PUBLICATION
 © COPYRIGHT BY TYCO ELECTRONICS CORPORATION. ALL RIGHTS RESERVED.

| LOC | | DIST | | REVISIONS | | | |
|-----|-----|---------------|--|-----------|-----|------|--|
| P | LTR | DESCRIPTION | | DATE | DWN | APVD | |
| | M | ECO-07-017363 | | 08AUG2007 | RB | MM | |



SECTION D-D



NOTE:

- 1 MATERIAL:
HOUSING: 30% GLASS FILLED PBT, THERMOPLASTIC, BLACK.
CONTACT: PHOS BRONZE
- 2 FINISH: CONTACT PLATING: TIN-LEAD (60u INCHES MIN.)
SOLDERABILITY :95% COVERAGE MIN.;
TEST TEMPERATURE=230°C±5°C
TEST TIME = 5±5 SECONDS.
- 3. MECHANICAL SPECS:
DURABILITY: 50 CYCLES MIN.
INSERTION FORCE:300 GRAMS MAX.
WITHDRAWAL FORCE: 20 GRAMS MIN.
CONTACT RETENTION: 500 GRAMS MIN.
ACCEPTS: 0.20-0.30 [.008-.012] LEADS
- 4. ELECTRICAL SPECS:
VOLTAGE RATING: 250V AC,DC
CONTACT RESISTANCE: 20 MILLOHMS MAX.
CURRENT RATING: 1 AMPERE AC,DC
INSULATION RESISTANCE: 1000 MEGOHMS MIN.
DIELECTRIC WITHSTANDING VOLTAGE: AC 1000 V MIN.
- 5. OPERATING TEMPERATURE: -40°C TO +105°C
- 6 AMP LOGO
- 7 LADDER PRESENT FOR 24, 28 & 32 POSITION SOCKETS.
- 8 FINISH: CONTACT PLATING TIN (LEAD FREE); 60 UIN MIN. OVER 30 UIN Ni
SOLDERABILITY :95% COVERAGE MIN.;
TEST TEMPERATURE=260°±5°C;
TEST TIME = 5±5 SECONDS.

| FINISH | POS | A ±0.20 [.008] | B±0.15 [.006] | PART NO. |
|--------|-----|----------------|---------------|------------|
| 8 | 32 | 40.64 [1.600] | 38.10 [1.500] | 2-390261-0 |
| 8 | 28 | 35.56 [1.400] | 33.02 [1.300] | 1-390261-9 |
| 8 | 24 | 30.48 [1.200] | 27.94 [1.100] | 1-390261-8 |
| 8 | 22 | 27.94 [1.100] | 25.40 [1.000] | 1-390261-7 |
| 8 | 20 | 25.40 [1.000] | 22.86 [.900] | 1-390261-6 |
| 8 | 18 | 22.86 [.900] | 20.32 [.800] | 1-390261-5 |
| 8 | 16 | 20.32 [.800] | 17.78 [.700] | 1-390261-4 |
| 8 | 14 | 17.78 [.700] | 15.24 [.600] | 1-390261-3 |
| 8 | 8 | 10.16 [.400] | 7.62 [.300] | 1-390261-2 |
| 8 | 6 | 7.62 [.300] | 5.08 [.200] | 1-390261-1 |
| 2 | 32 | 40.64 [1.600] | 38.10 [1.500] | 1-390261-0 |
| 2 | 28 | 35.56 [1.400] | 33.02 [1.300] | 390261-9 |
| 2 | 24 | 30.48 [1.200] | 27.94 [1.100] | 390261-8 |
| 2 | 22 | 27.94 [1.100] | 25.40 [1.000] | 390261-7 |
| 2 | 20 | 25.40 [1.000] | 22.86 [.900] | 390261-6 |
| 2 | 18 | 22.86 [.900] | 20.32 [.800] | 390261-5 |
| 2 | 16 | 20.32 [.800] | 17.78 [.700] | 390261-4 |
| 2 | 14 | 17.78 [.700] | 15.24 [.600] | 390261-3 |
| 2 | 8 | 10.16 [.400] | 7.62 [.300] | 390261-2 |
| 2 | 6 | 7.62 [.300] | 5.08 [.200] | 390261-1 |

SUPERSEDED BY 2-390261-0
 SUPERSEDED BY 1-390261-9
 SUPERSEDED BY 1-390261-8
 SUPERSEDED BY 1-390261-7
 SUPERSEDED BY 1-390261-6
 SUPERSEDED BY 1-390261-5
 SUPERSEDED BY 1-390261-4
 SUPERSEDED BY 1-390261-3
 SUPERSEDED BY 1-390261-2
 SUPERSEDED BY 1-390261-1

| | | | | |
|--|--|------------------|-----------|--|
| THIS DRAWING IS A CONTROLLED DOCUMENT. | | DWN | 06SEP2004 | |
| DIMENSIONS: mm [INCHES] | | CHK | - | |
| TOLERANCES UNLESS OTHERWISE SPECIFIED: | | APVD | - | |
| 0 PLC ± - | | PRODUCT SPEC | - | |
| 1 PLC ± - | | APPLICATION SPEC | - | |
| 2 PLC ± 0.2 [.008] | | WEIGHT | - | |
| 3 PLC ± - | | CUSTOMER DRAWING | - | |
| 4 PLC ± - | | SCALE | 4:1 | |
| ANGLES ± - | | SHEET | 1 of 1 | |
| FINISH | | REV | M | |


Tyco Electronics Corporation
 Harrisburg, PA 17105-3608

DIP SOCKET, .300 CENTER LINE
 LADDER STYLE

SIZE: A2 CAGE CODE: 00779 DRAWING NO: C=390261 RESTRICTED TO: -

Looking for pricing, stock, or lifecycle information?

Click below to explore more details on WIN SOURCE:

 [View 1-390261-1 on WIN SOURCE](#)

 [TE Connectivity](#) Information

Optimize Your Supply Chain with WIN SOURCE Solutions

-  Global Sourcing Solution
-  Obsolete Management
-  Cost Control Management
-  Shortage Management
-  Alternative Solution
-  Excess Inventory Management