



ELECTRONICS, INC.
 44 FARRAND STREET
 BLOOMFIELD, NJ 07003
 (973) 748-5089
<http://www.nteinc.com>

1N60A Germanium Diode General Purpose

Features:

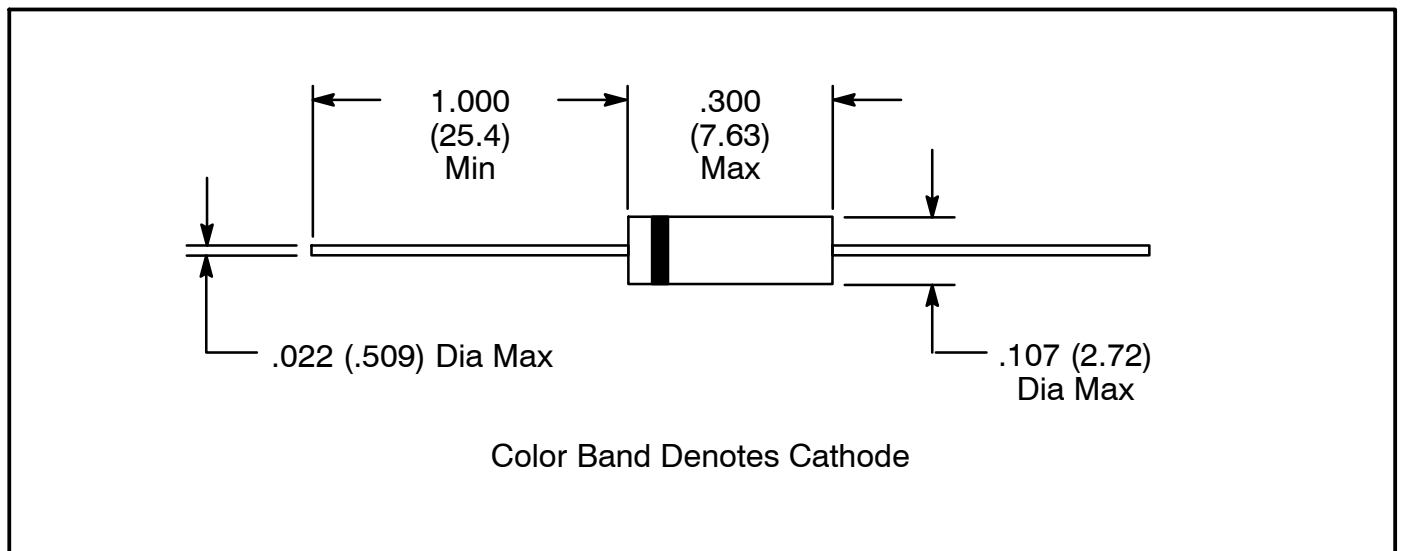
- Low Forward Voltage Drop
- Low Power Consumption
- Very Low Noise Level

Absolute Maximum Ratings: ($T_A = +25^\circ\text{C}$ unless otherwise specified)

Peak Reverse Voltage, P_{RV}	30V
Peak Forward Current, I_F	150mA
Average Power Dissipation, P_D	80mW
Operating Temperature Range, T_{opr}	-65° to $+85^\circ\text{C}$

Electrical Characteristics: ($T_A = +25^\circ\text{C}$ unless otherwise specified)


Parameter	Symbol	Test Conditions	Min	Typ	Max	Unit
Peak Reverse Voltage	P_{RV}	1mA	30	-	-	V
Inverse Current	I_r	10V	-	-	65	μA
Forward Voltage	V_f	5mA	-	-	1.0	V



Looking for pricing, stock, or lifecycle information?

Click below to explore more details on WIN SOURCE:

 [View 1N60A on WIN SOURCE](#)

 [NTE Information](#)

Optimize Your Supply Chain with WIN SOURCE Solutions

-  Global Sourcing Solution
-  Obsolete Management
-  Cost Control Management
-  Shortage Management
-  Alternative Solution
-  Excess Inventory Management