



**THE DATASHEET OF  
1810BP07B200T**



# High Frequency Ceramic Solutions

## 1810 MHz Band Pass Filter

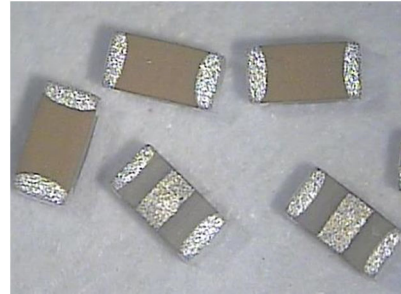
P/N 1810BP07B200

Detail Specification: 4/4/2019

Page 1 of 3

### General Specifications

<b>Part Number</b>	1810BP07B200		
<b>Frequency (MHz)</b>	1710 - 1910		
<b>Insertion Loss (dB)</b>	2.0 dB max.		
<b>Return Loss</b>	9.5 dB min.		
<b>Attenuation (min.)</b>	20 dB @ 855 - 955 MHz		
<b>Attenuation (min.)</b>	12 dB @ 2565 - 2865 MHz		
<b>Impedance</b>	50 Ω		
<b>Input Power</b>	500 mW max. (CW)		
<b>Operating Temperature</b>	-40 to +85°C	<b>Recommended Storage Conditions for unused T&amp;R Product*</b>	+5 ~ +35°C, Humidity: 45~75%RH
<b>Storage Temperature</b>	-40 to +85°C		
<b>Reel Quantity</b>	10,000	<b>Solder Paste</b>	SAC 305 type is recommended.



\*18 months in vacuum sealed bag and 1 week after opened. Please keep unused parts in vacuum sealed bags. For more info go to <https://www.johansontechnology.com/silverleads-profile>.

<b>P/N Suffix</b>	<b>Packing Style</b>	Bulk	Suffix = S	eg. 1810BP07B200S
		T & R	Suffix = T	eg. 1810BP07B200T
	<b>Evaluation Board</b>	1810BP07B200-EB1SMA		

### Mechanical Specifications

	In	mm	Bottom View	Side-End View
L	0.039 ± 0.002	1.00 ± 0.05		
W	0.020 ± 0.002	0.50 ± 0.05		
T	0.015 ± 0.002	0.38 ± 0.05		
a	0.006 ± 0.004	0.15 ± 0.10		
b	0.010 ± 0.004	0.25 ± 0.10		

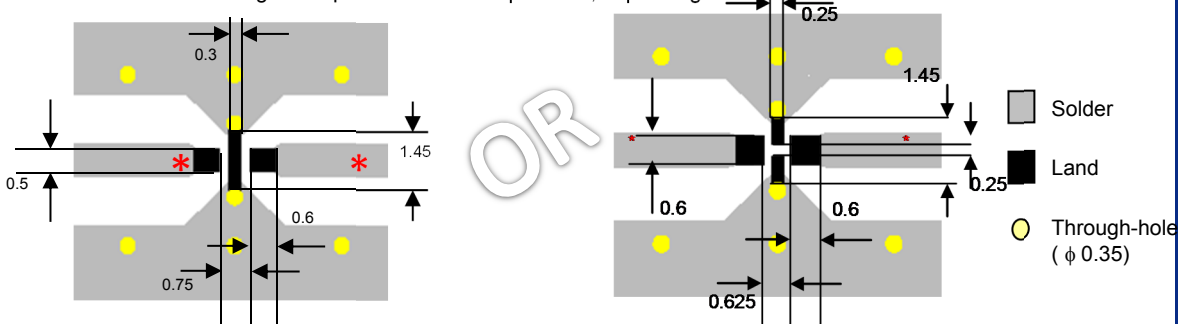
### Terminal Configuration

1	GND	3	GND
2	OUT	4	IN

### Mounting Considerations

Mount these devices with brown mark facing up.

\*Line width should be designed to provide 50 ohm impedance, depending on PCB material and thickness



Want the layout file of the above? Send us a message at: <https://www.johansontechnology.com/ask-a-question>

Johanson Technology, Inc. reserves the right to make design changes without notice.

All sales are subject to Johanson Technology, Inc. terms and conditions.



<https://www.johansontechnology.com>

4001 Calle Tecate • Camarillo, CA 93012 • TEL 805.389.1166 FAX 805.389.1821

Ver. 1.1

2019 Johanson Technology, Inc. All Rights Reserved

# High Frequency Ceramic Solutions

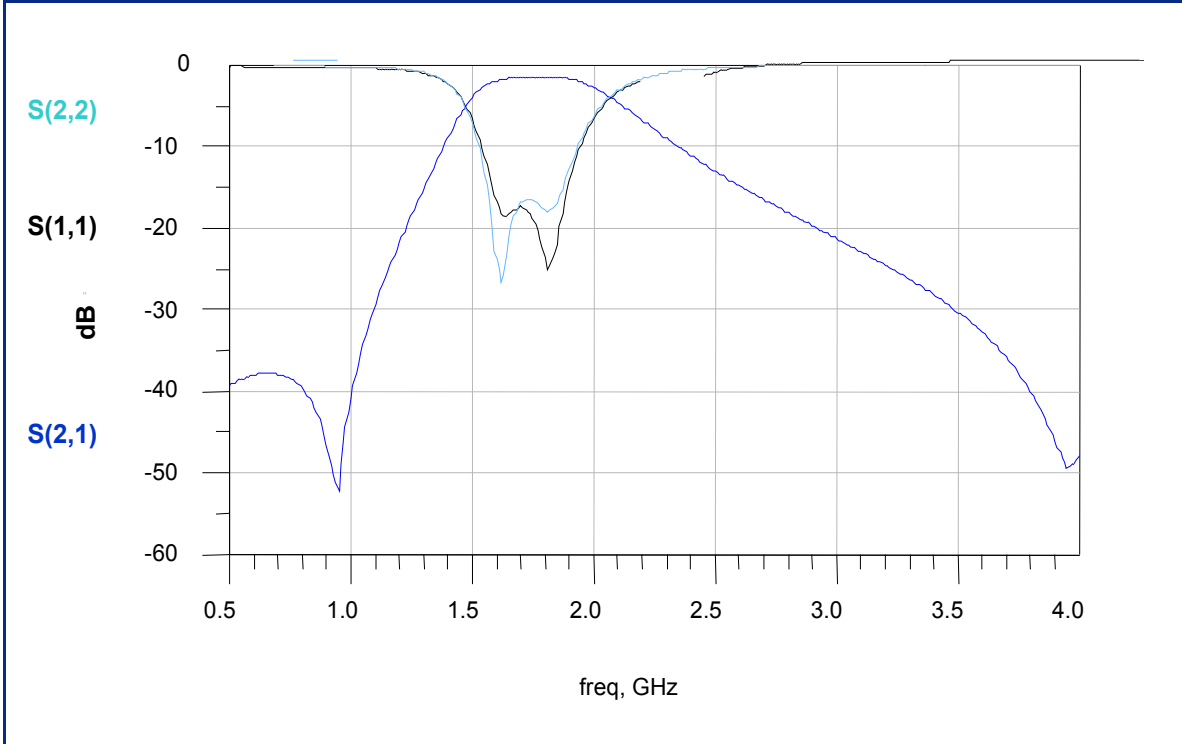
1810 MHz Band Pass Filter

P/N 1810BP07B200

Detail Specification: 4/4/2019

Page 2 of 3

## Electrical Characteristics (T=25°C)



Johanson Technology, Inc. reserves the right to make design changes without notice.  
All sales are subject to Johanson Technology, Inc. terms and conditions.



<https://www.johansontechnology.com>

4001 Calle Tecate • Camarillo, CA 93012 • TEL 805.389.1166 FAX 805.389.1821

Ver. 1.1

2019 Johanson Technology, Inc. All Rights Reserved

# High Frequency Ceramic Solutions

**1810 MHz Band Pass Filter**

**P/N 1810BP07B200**

Detail Specification: 4/4/2019

Page 3 of 3

## Packaging information

<https://www.johansontechnology.com/tape-reel-packaging>

## Soldering Information

<https://www.johansontechnology.com/ipcsoldering-profile>

## RoHS Compliance

<https://www.johansontechnology.com/rohs-compliance>

## MSL Info

<https://www.johansontechnology.com/msl-rating>

## To Download Measured S-parameters for Evaluation and Simulation:

<https://www.johansontechnology.com/band-pass-filters>

## For layout review contact our Applications Team at:

<https://www.johansontechnology.com/ask-a-question>

Johanson Technology, Inc. reserves the right to make design changes without notice.  
All sales are subject to Johanson Technology, Inc. terms and conditions.



<https://www.johansontechnology.com>

4001 Calle Tecate • Camarillo, CA 93012 • TEL 805.389.1166 FAX 805.389.1821

Ver. 1.1

2019 Johanson Technology, Inc. All Rights Reserved

## Looking for pricing, stock, or lifecycle information?

Click below to explore more details on WIN SOURCE:

 [View 1810BP07B200T on WIN SOURCE](#)

 [Johanson Technology Inc. Information](#)

## Optimize Your Supply Chain with WIN SOURCE Solutions

-  Global Sourcing Solution
-  Obsolete Management
-  Cost Control Management
-  Shortage Management
-  Alternative Solution
-  Excess Inventory Management