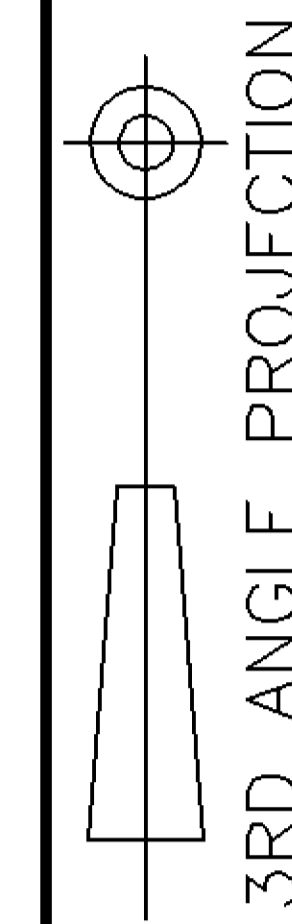




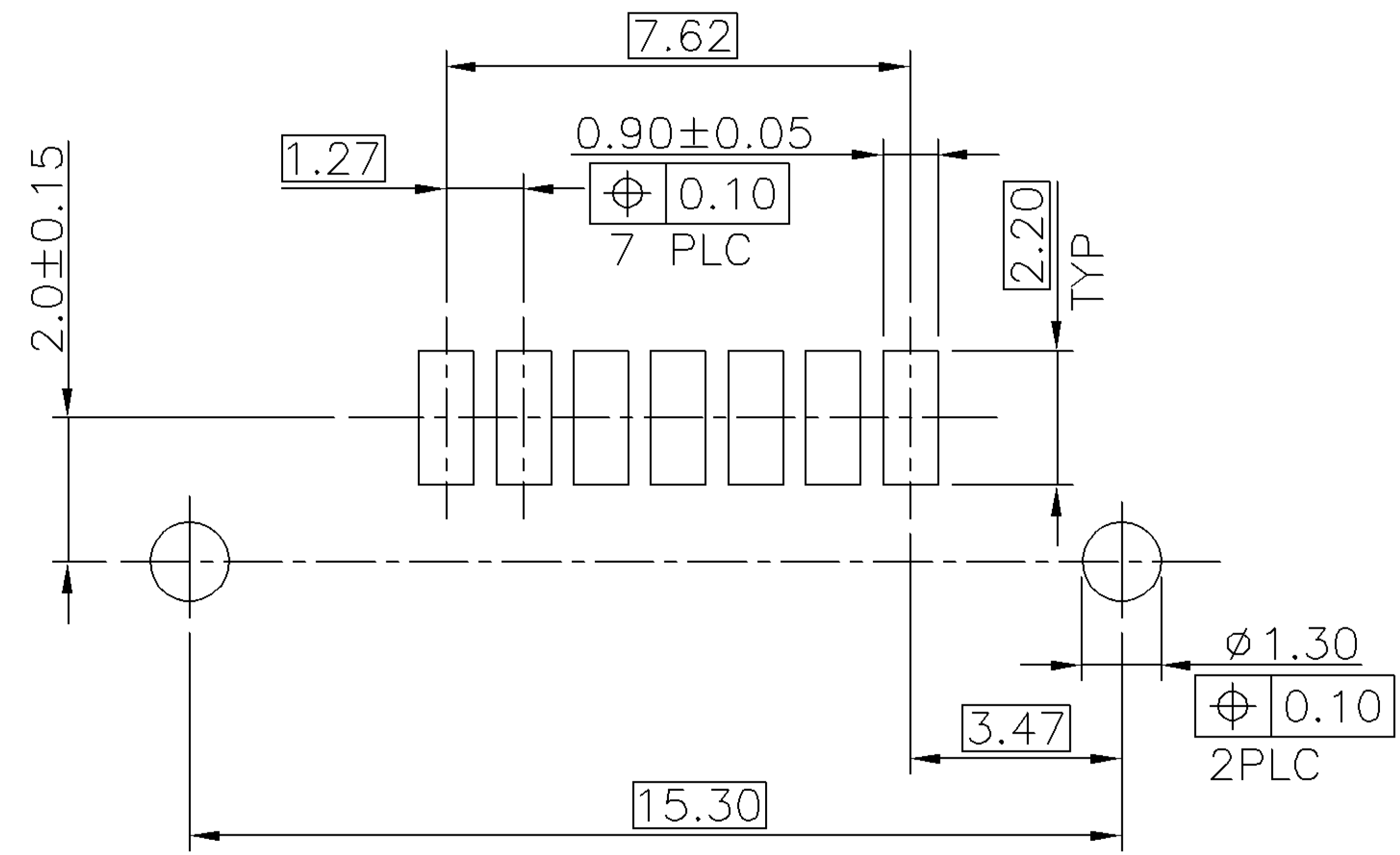
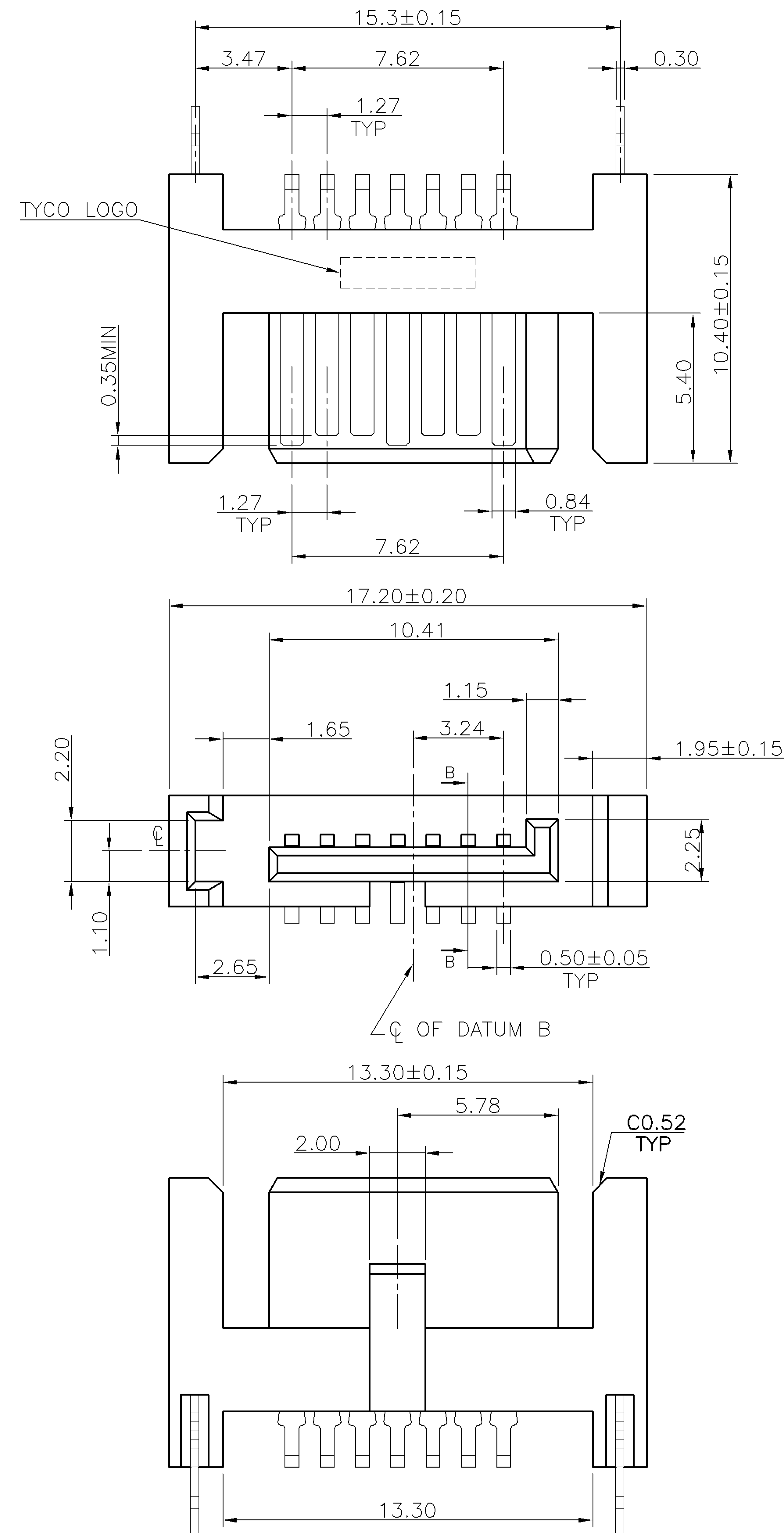
**THE DATASHEET OF**  
**1734058-2**



NUMBER  
C-1734058



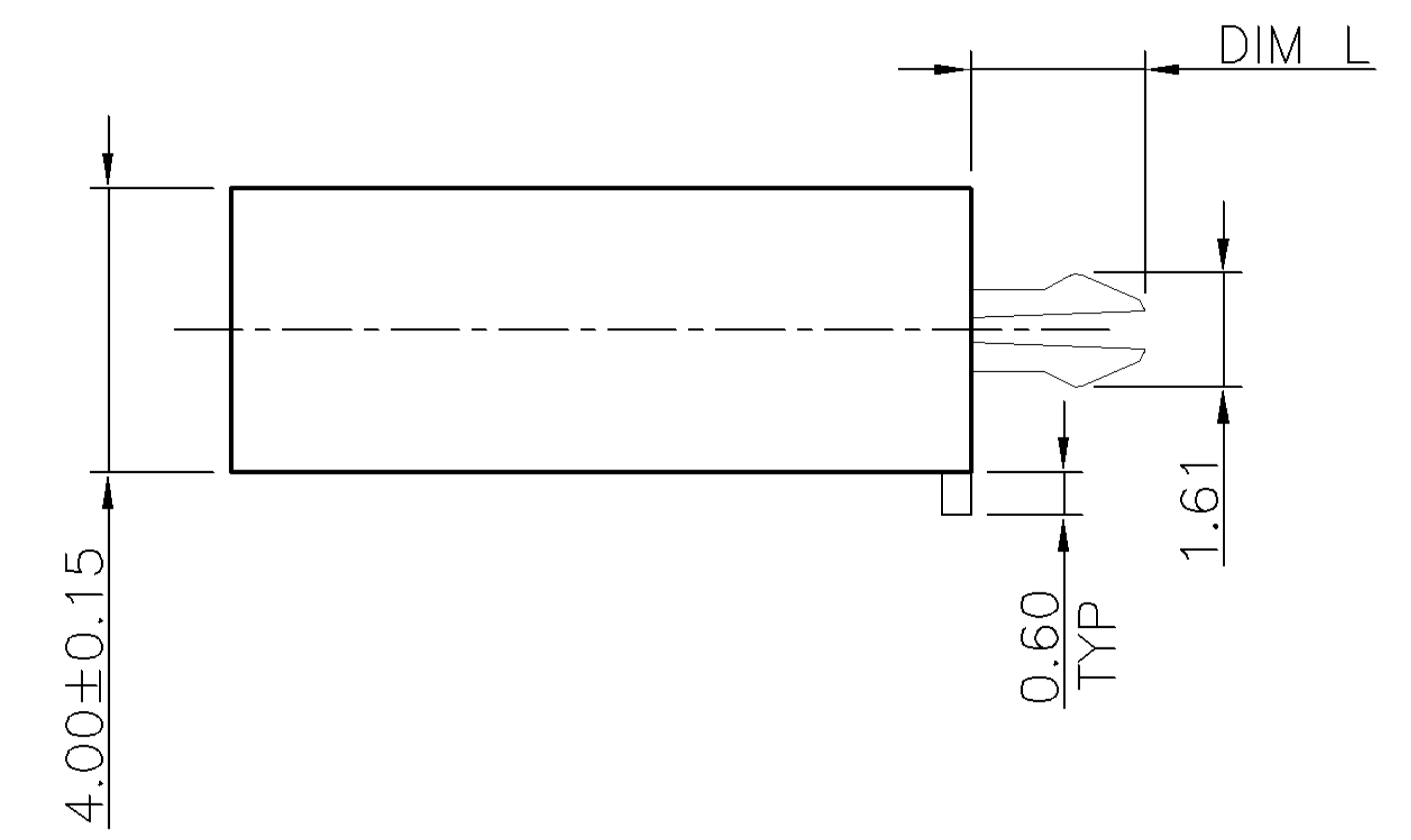
METRIC



RECOMMENDED PCB LAYOUT (T=1.6mm)  
PCB TOLERANCE ±0.05

NOTE:

- MATERIAL:  
HOUSING: THERMOPLASTIC (LCP) WITH 30% GF, UL 94V-0, BLACK COLOR.  
CONTACTS: BRASS.  
BOARDLOCKS: BRASS.
- FINISH:  
CONTACTS: (SEE TABLE) GOLD PLATED ON CONTACT AREA, 100μ" MIN. MATTE-TIN ON SOLDER TAIL, WITH ENTIRE CONTACT UNDERPLATED 50μ" MIN. NICKEL.  
BOARDLOCKS: 100μ" MIN. MATTE-TIN OVER 50μ" MIN. NICKEL.
- REFLOW SOLDER CAPABLE TO 260°C AS PER **TE Connectivity** SPEC. 109-201, CONDITION B.
- NO DATE CODE ON THE PRODUCT.



3.30	15μ"	1734058-4
2.45	30μ"	1734058-3
	15μ"	1734058-2
	GOLD FLASH	1734058-1
DIM L	GOLD PLATING	PART NUMBER

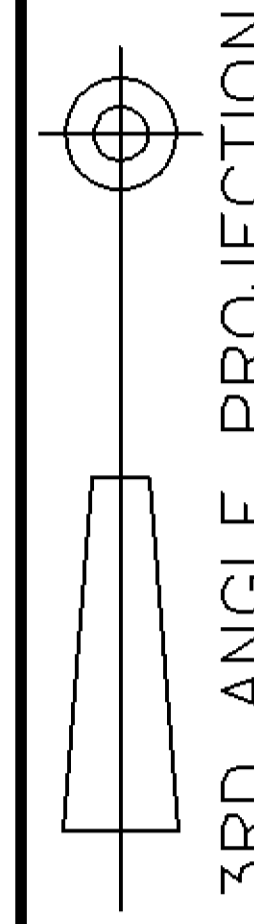
TOLERANCES UNLESS OTHERWISE SPECIFIED: 0 PLC ± - 1 PLC ± 0.3 2 PLC ± 0.25 3 PLC ± 0.2 ANGLES ± 3°		DWN A. WU 06-JUN-2006	TE Connectivity	
MATERIAL SEE NOTE		CHK S. HOU 06-JUN-2006	NAME SERIAL ATA, 7 POS., PLUG, VERTICAL, SMT TYPE.	
FINISH SEE NOTE		APVD W.J. KE 06-JUN-2006	LOC DW	SIZE A <sub>3</sub>
		PRODUCT SPEC 108-57261	DRAWING NO C-1734058	REV A1
		APPLICATION SPEC -	SCALE --	SHEET 1 OF 2
		WEIGHT 0.7 g		

A1	REVISION RECORD	REVISED PER ECO-11-005301	RK HMR	5APR11
LTR		eco	DWN CHK	DATE

PRINT DIST  
DW

DIMENSIONS IN MILLIMETERS. DO NOT SCALE PRINT.

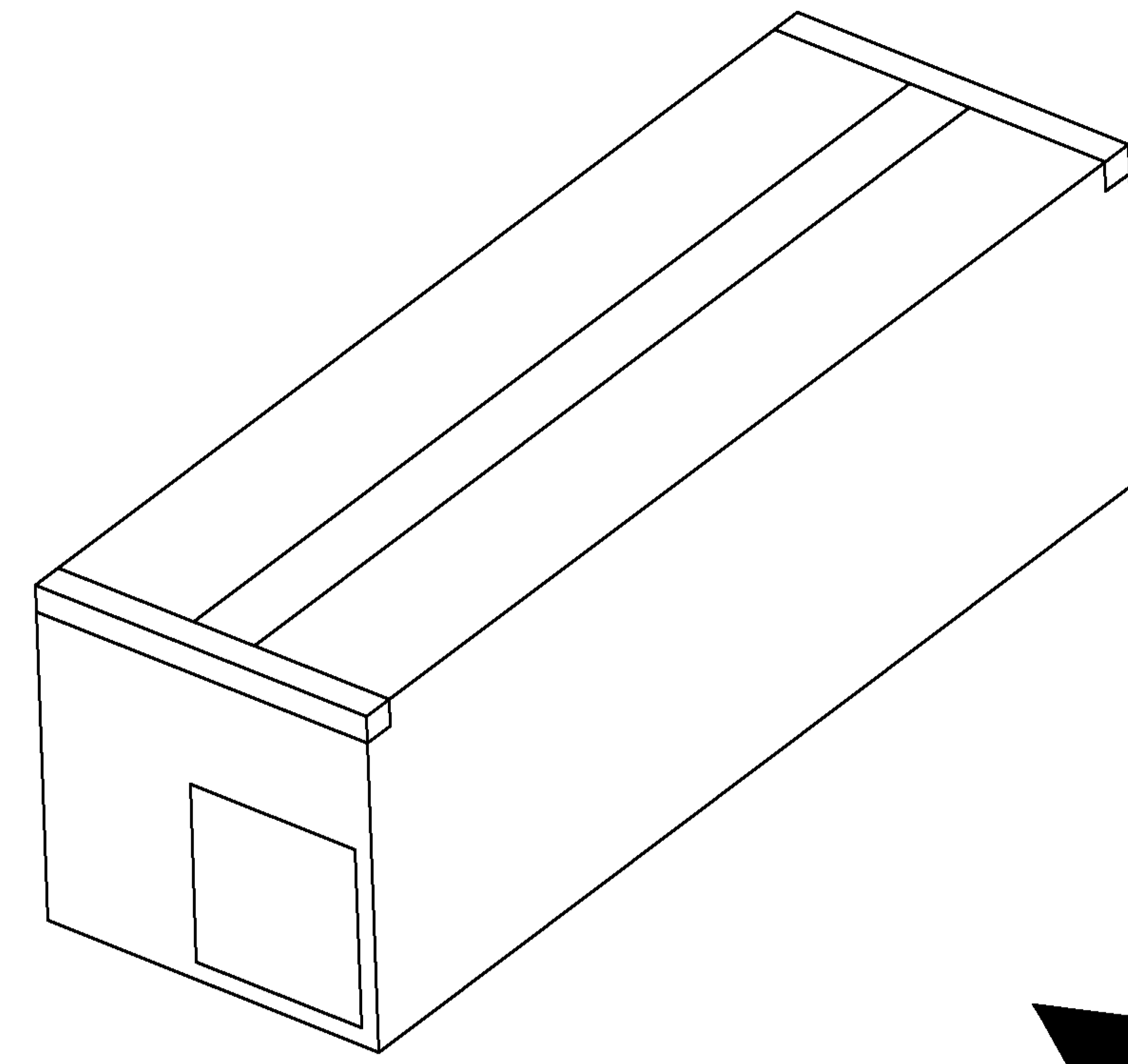
NUMBER  
C-1734058



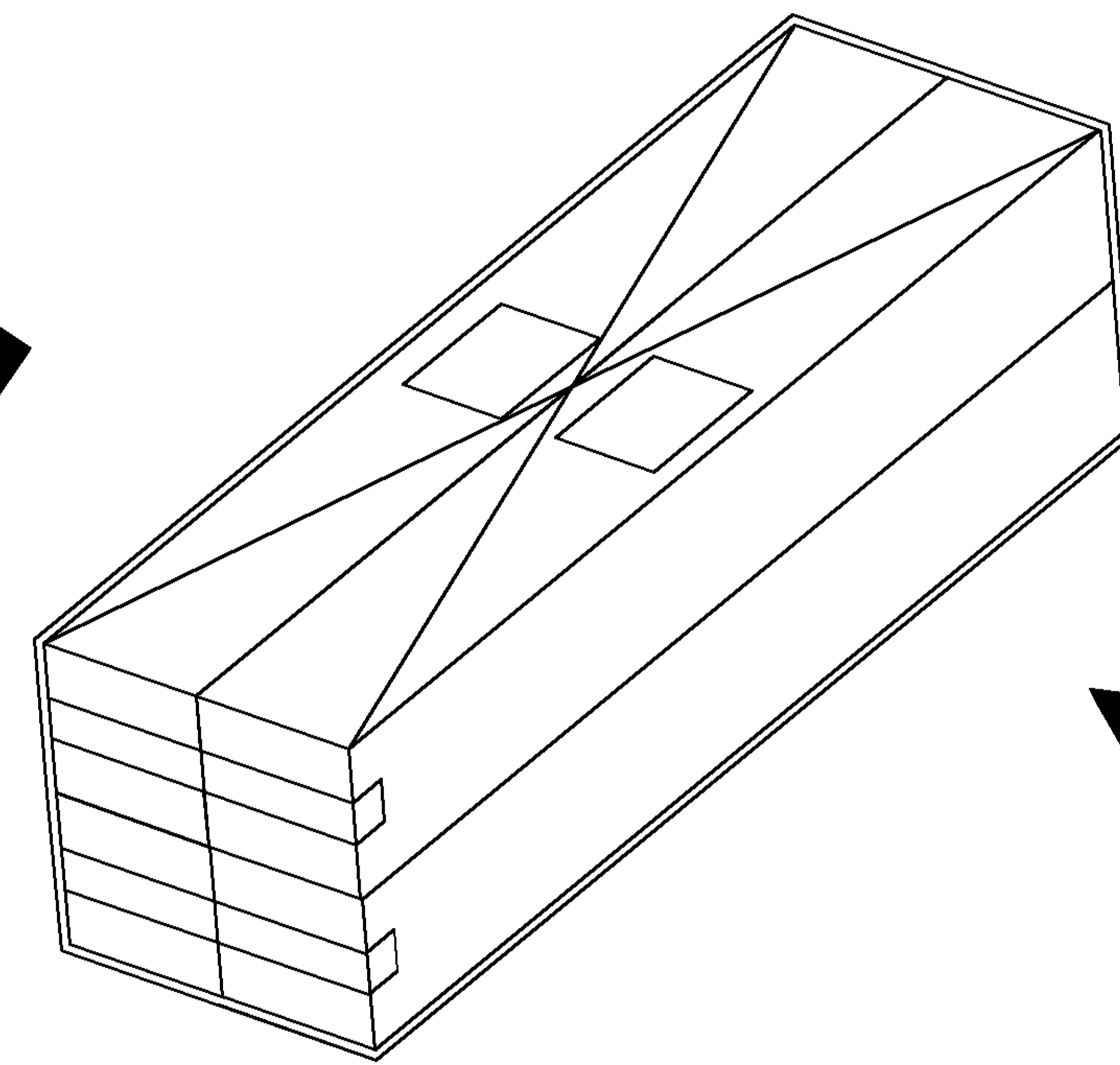
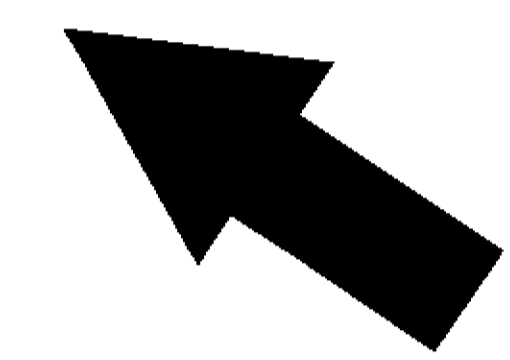
METRIC

DIMENSIONS IN MILLIMETERS. DO NOT SCALE PRINT.

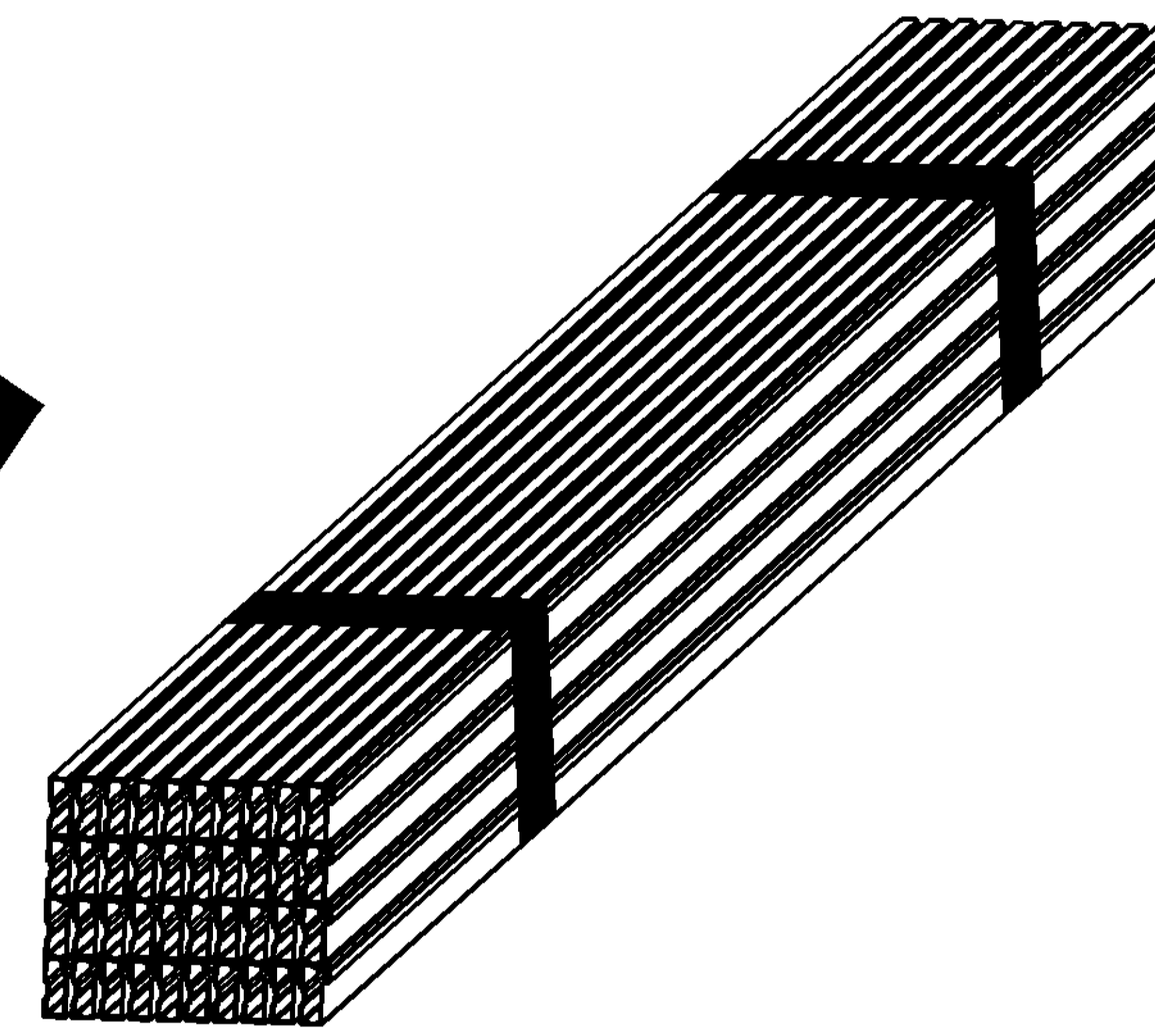
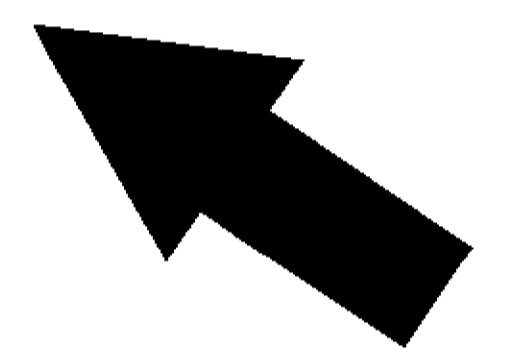
PRINT DIST  
DW



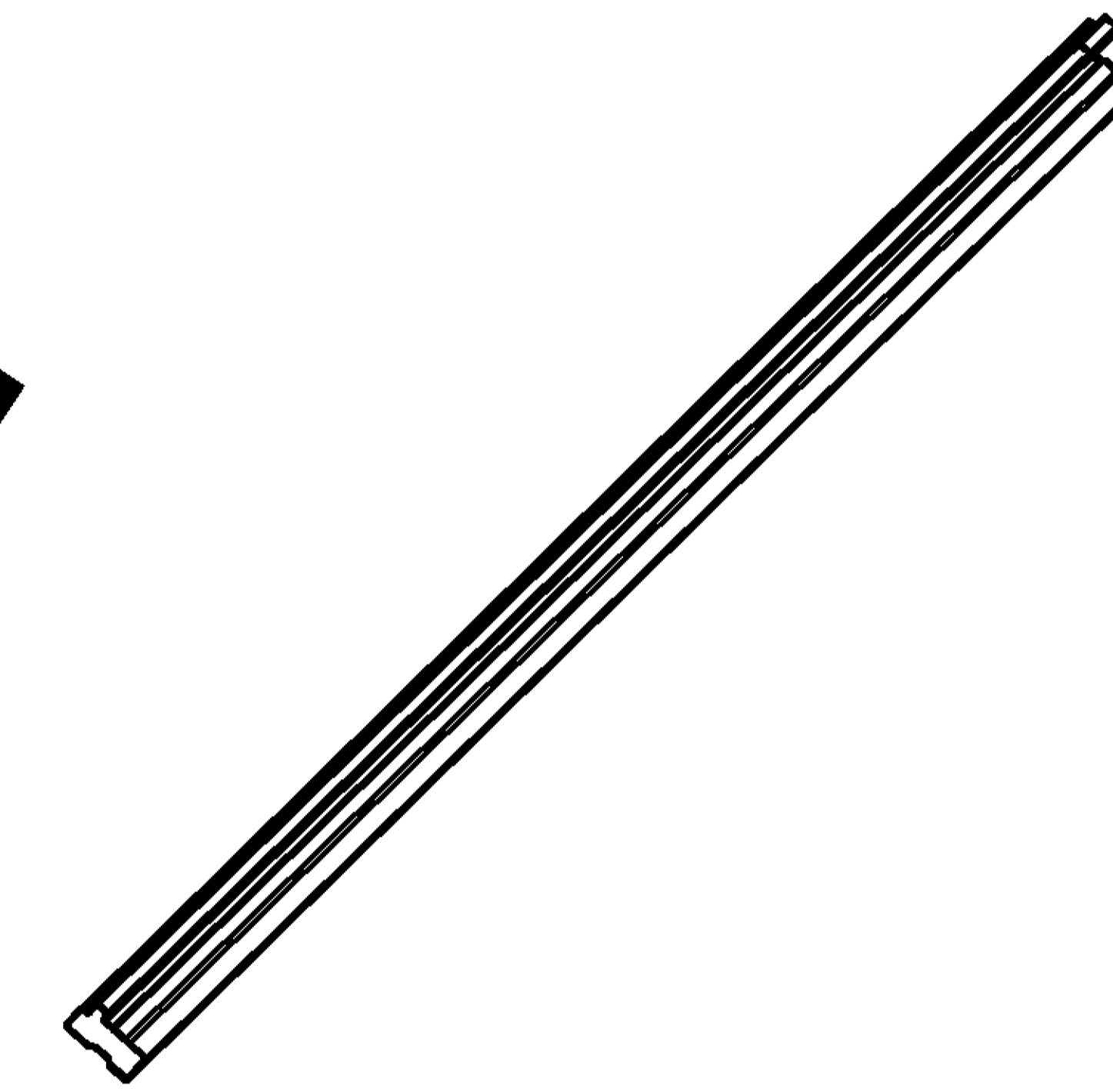
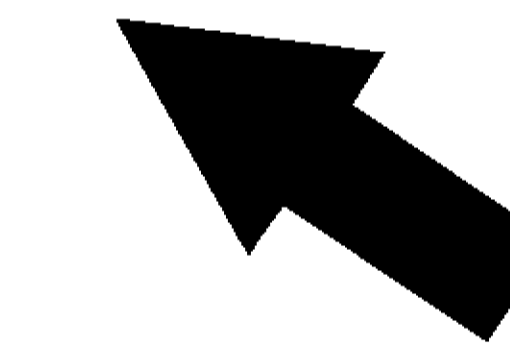
SHIPPING CARTON



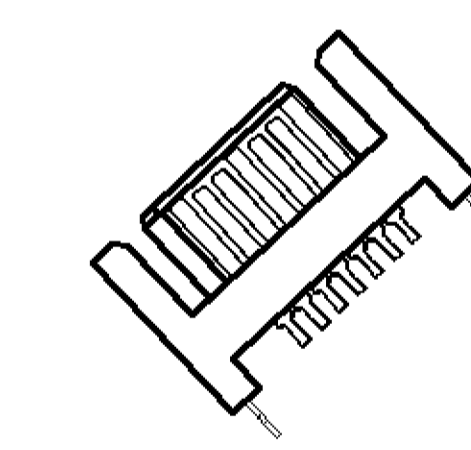
INNER CARTON



SHEAF



TUBE



PRODUCT

NOTE:

1. DIMENSION

TRAY: 460 X 7.5 X 15.8

INNER CARTON: 485 X 86 X 72

SHIPPING CARTON: 500 X 187 X 169

2. QUANTITY

25 PCS/TUBE

40 TUBES/SHEAF

1 SHEAF/INNER CARTON

4 INNER CARTON/SHIPPING CARTON

4000 PCS/SHIPPING CARTON

3. WEIGHT:

N.W: 5 KG

G.W: 6 KG

8

7

6

5

4

3

2

1

CUSTOMER DRAWING

LTR	REVISION RECORD	SEE SHEET 1 eco	DWN CHK	DATE
-----	-----------------	--------------------	------------	------

TOLERANCES UNLESS OTHERWISE SPECIFIED: 0 PLC ± 1 PLC ± 2 PLC ± 3 PLC ± ANGLES ±	DWN	A. WU 06-JUN-2006		TE Connectivity
	CHK	S. HOU 06-JUN-2006		
MATERIAL -	APVD	W.J. KE 06-JUN-2006	NAME SERIAL ATA, 7 POS., PLUG, VERTICAL, SMT TYPE.	
	PRODUCT SPEC	-	LOC	SIZE
FINISH -	APPLICATION SPEC	-	DW	A <sub>3</sub>
	WEIGHT	-	DRAWING NO	REV
		SCALE	C-1734058	A1
		SHEET		2 OF 2

D  
C  
B  
A

## Looking for pricing, stock, or lifecycle information?

Click below to explore more details on WIN SOURCE:

 [View 1734058-2 on WIN SOURCE](#)

 [TE Connectivity](#) Information

## Optimize Your Supply Chain with WIN SOURCE Solutions

-  Global Sourcing Solution
-  Obsolete Management
-  Cost Control Management
-  Shortage Management
-  Alternative Solution
-  Excess Inventory Management