



THE DATASHEET OF
15210802601000





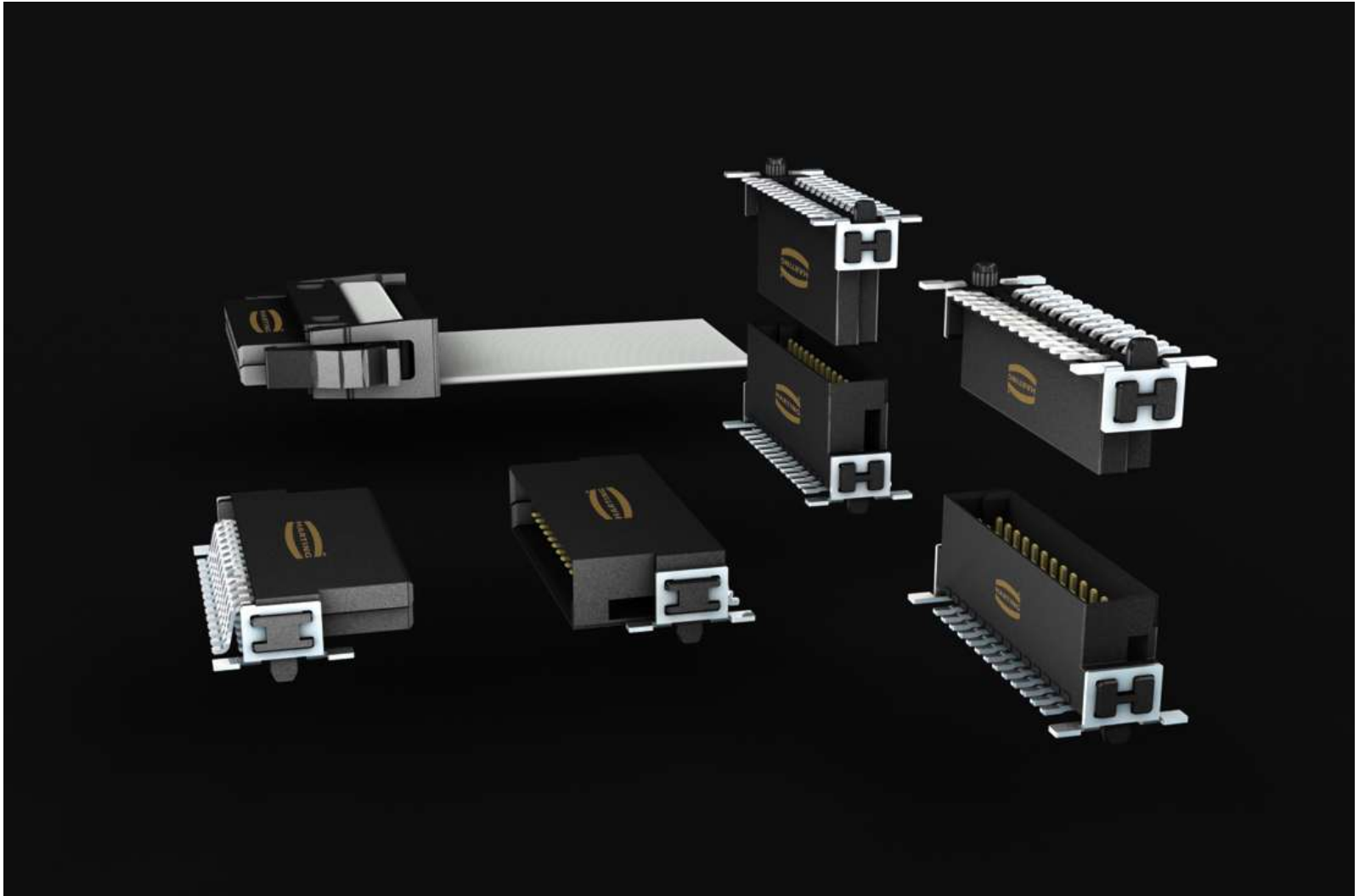
har-flex[®]

Flexible connectivity solutions

har-flex® - Flexible Connectivity Solutions



Pushing Performance



Value Proposition

We are your technology partner in a wide range of applications for variety of diverse markets including industrial, medical, telecom, transportation, defense and broadcast.

Providing solutions is our key differentiator. In addition to standardized products we excel in customized variants – tailored to individual customer needs.

We are committed to providing innovative solutions and quality you can trust

- Introduction to *har-flex*®
- *har-flex*® connector range
- Status today
- Marketing material
- Competitor Snapshot
- Logistics information
- Summary

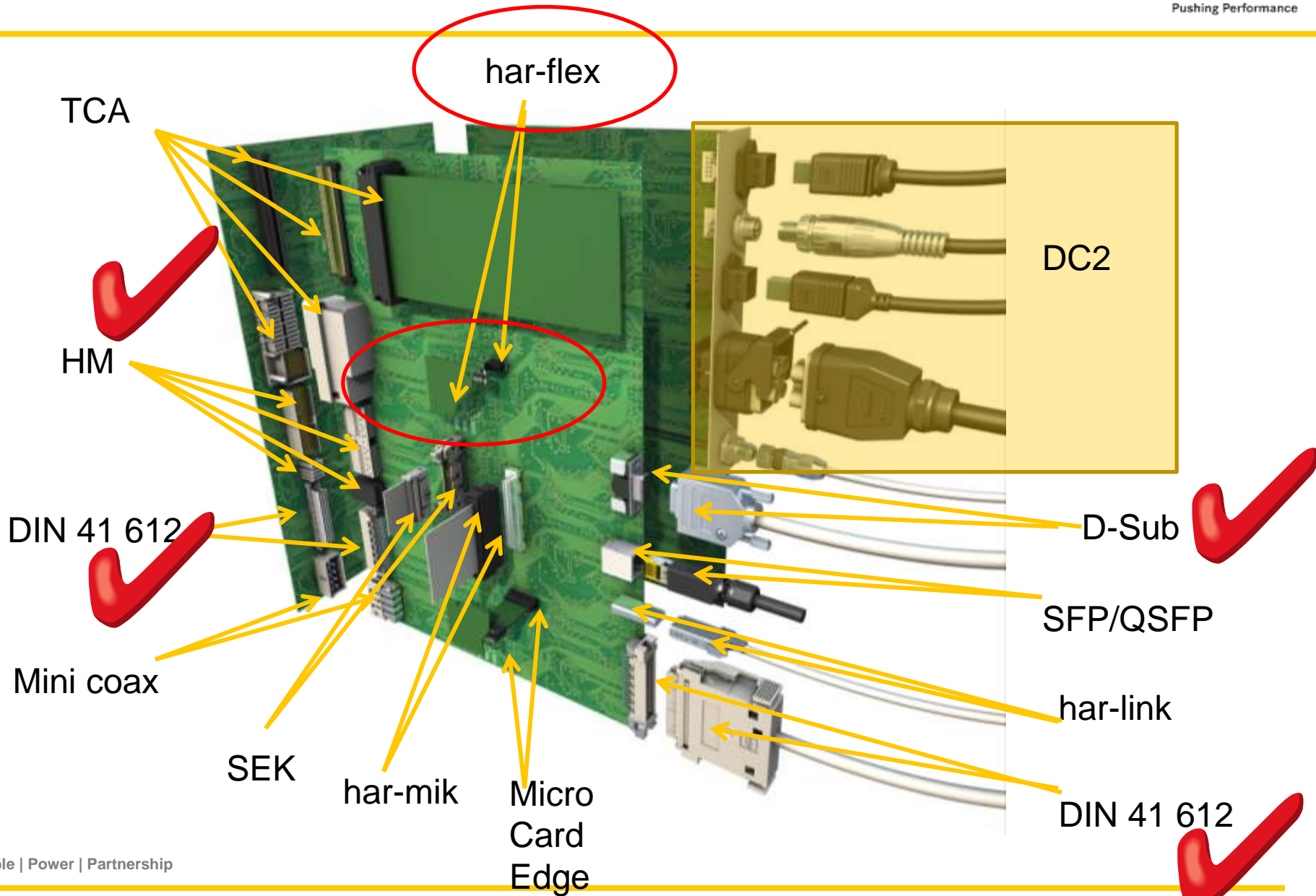


Introduction to *har-flex*®

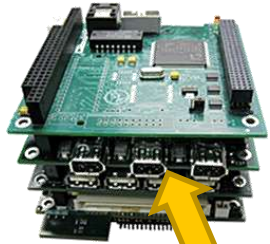
HARTING DC 1 Connectivity



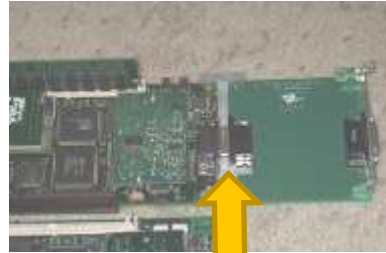
Pushing Performance



Connectivity levels



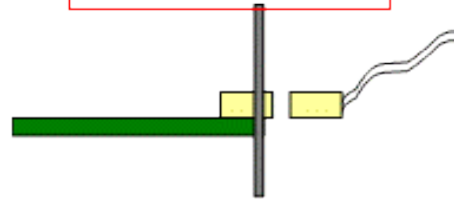
Board to board straight



Board to board right angled



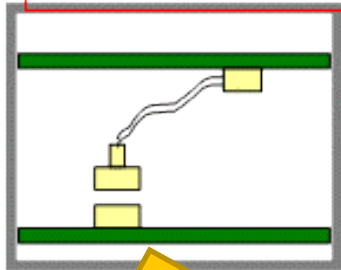
Cable to Board – I/O



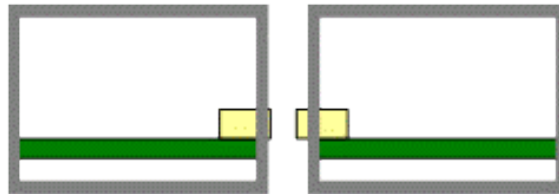
Backplane to daughter card



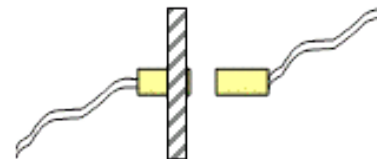
Wire to board – Inside



Box to Box – I/O



Cable to Cable



Board to board angled to straight

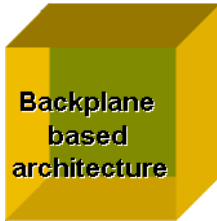


har-flex® at a Glance



Pushing Performance

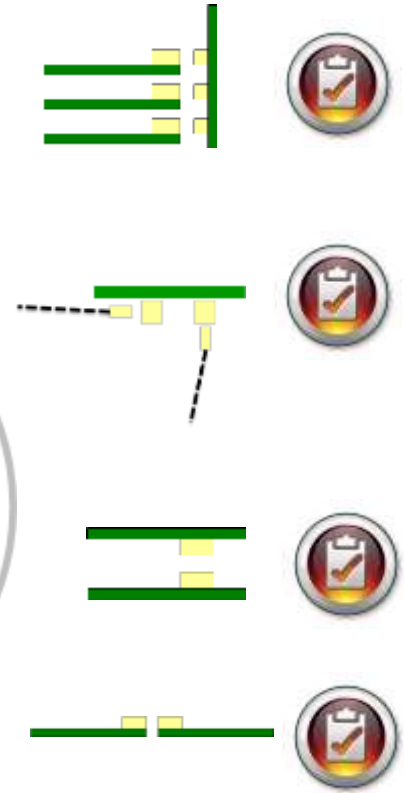
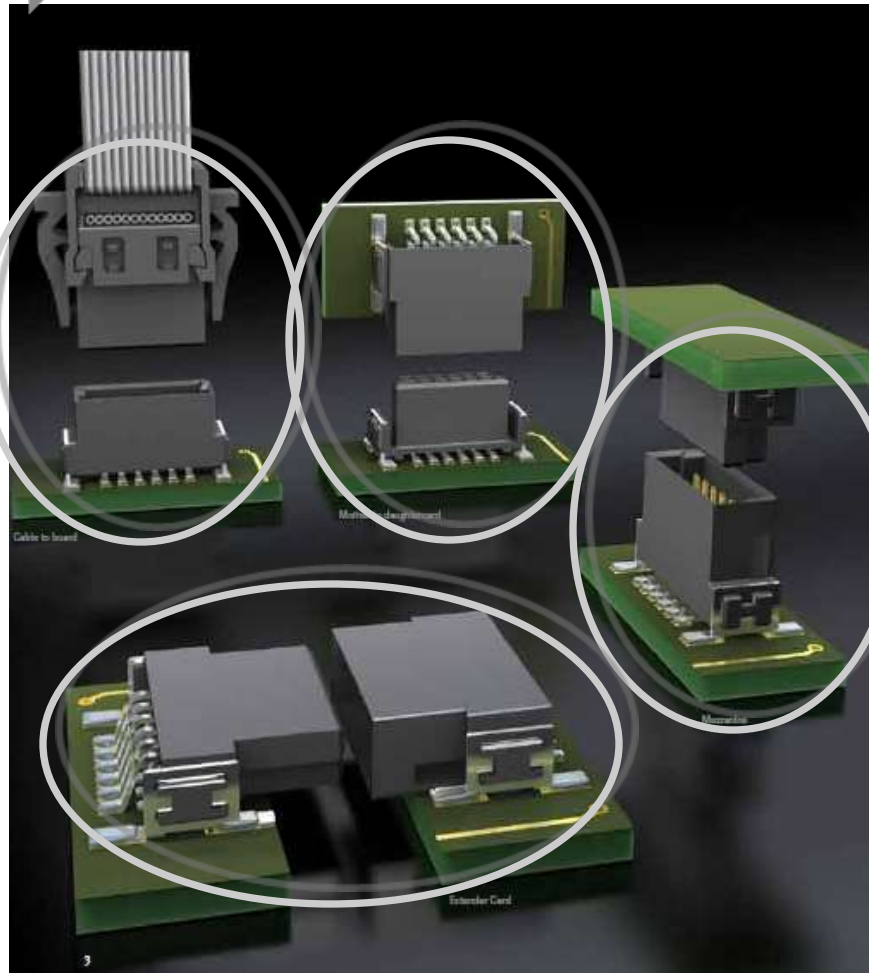
Past



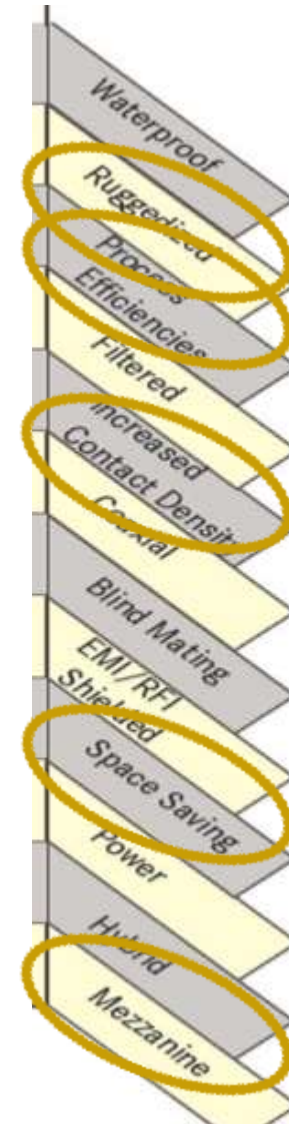
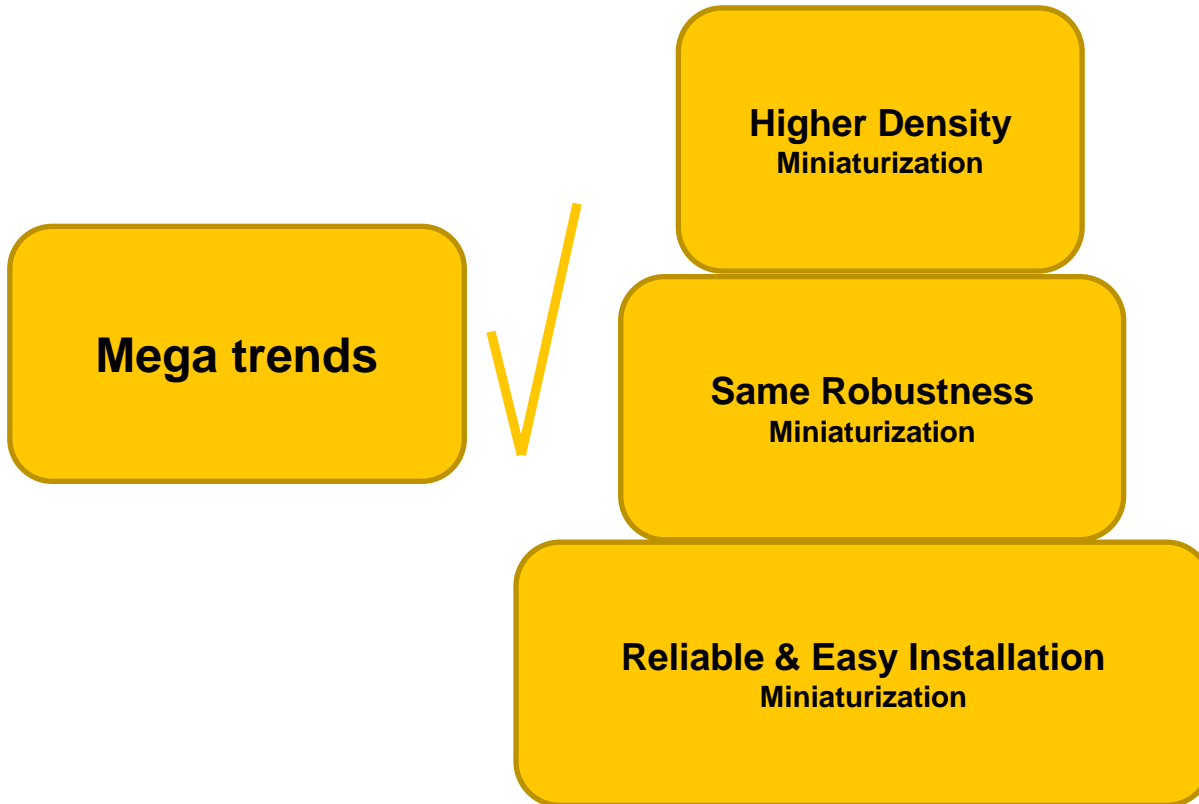
Backplane based architecture

Future

Box architecture



Mega Trends and “Solution Selling”



har-flex[®] addresses 5 of our 12 “solution selling” goals

Key factors for developing har-flex®

- Box architectures
 - Trend of applications to change hardware architecture from backplane/daughter card style to box architecture
 - Less backplanes needed
 - Trend toward mezzanine solutions
- Miniaturization
 - Smaller components, but still robust
- Surface Mount Technology
 - Users want to have only one work step
 - Fully automated production with pick-and-place machines
 - Surface Mount solder Technology



Why Mezzanine?



Pushing Performance

“Demand for greater design and expansion flexibility has given rise to mezzanine card architecture, where the mezzanine card stacks directly above the host board and is electrically connected — and often mechanically supported — by the mezzanine connector. The mezzanine card becomes an optional extension of the daughtercard.

The ability to design a system with enough flexibility to customize the product using standard host daughtercards and plug-in modules is highly desirable. Mezzanine cards can also provide a low-cost strategy to address machine obsolescence or the need to expand capacity.”



Source: Bishop & Associates

Research Report P-606-10

February 2010

Connector Types and Technologies Poised for Growth

har-flex® comparison to DIN 41 612 and HM 2mm



Pushing Performance

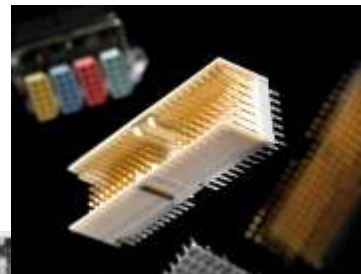
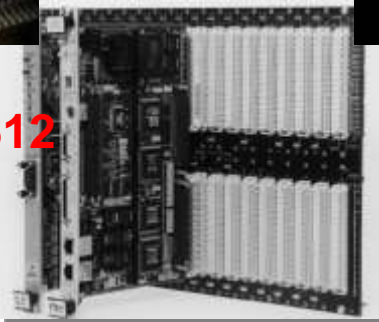
	DIN 41612	HM 2mm	har-flex®
Contact Spacing	2.54mm	2.00mm	1.27mm
Termination	Through Hole	Through Hole	Surface Mount
Mezzanine	Limited*	No	Yes
Angled to Angled	Yes**	No	Yes
Cable to board	Yes**	No	Yes

* Height options limited to standard DIN dimensions

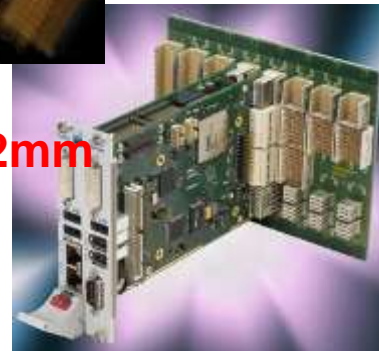
** Limited to standard DIN body sizes eg type C/R 96 pins of 2B/2Q 32 pins



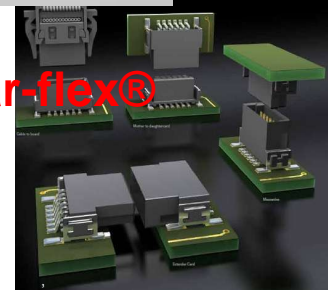
DIN 41612



HM 2mm



har-flex®



Medical



Transportation



Industrial

Mezzanine card in industrial controller

Extender card in industrial controller

Digital board for barcode reader



Embedded Computing

Robust Industrial PC

Industrial PC



Telecom



Inflight broadband



Base station

Broadcast



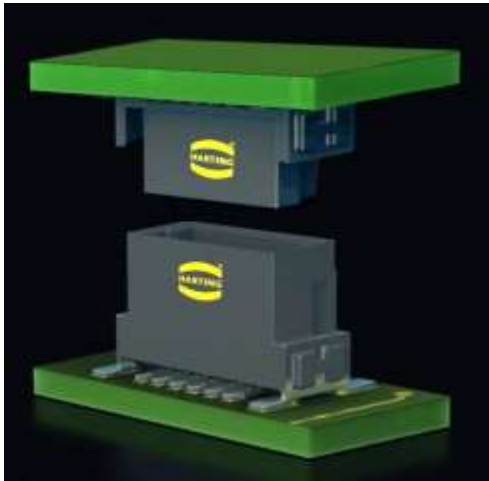


har-flex[®] connector range

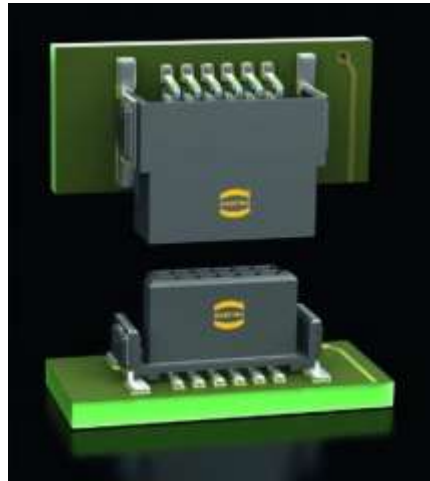
- General characteristics
 - Contact Pitch of 1.27 mm
 - Different styles available
 - All even pin counts between 6 and 100 available
 - Different straight stacking heights with wiping length of 1.5mm

- Automated processing at the customer
 - SMT termination
 - Suitable for automatic assembly
 - Tape and Reel packaging
 - Vacuum nozzle cover





Mezzanine
(2 straight connectors)



Mother-to-Daughtercard
(straight and angled connectors)



Cable-to-board
(IDC connector with
either straight or
angled)



Extender Card
(2 angled connectors)

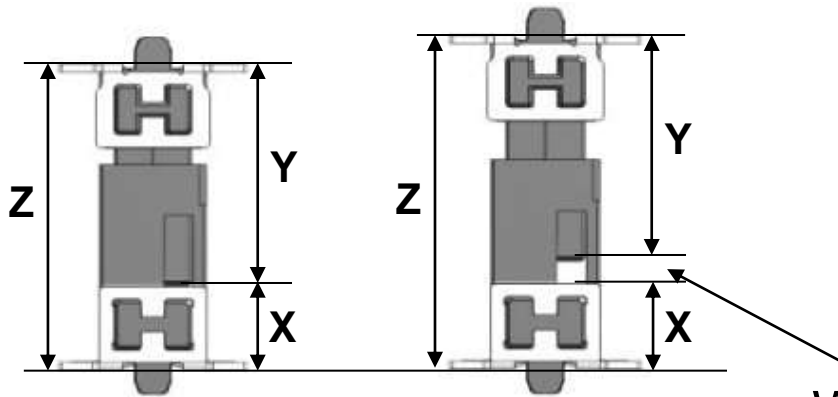
har-flex[®] straight: 4 Stacking heights

Mezzanine Application



Pushing Performance

— Each 2 stacking heights for the straight male and female



X: stacking height male	Y: stacking height female	Z: mated stacking height including wiping length
1,75 mm	6,25 mm	8,00 - 9,50 mm
3,25 mm	6,25 mm	9,50 - 11,00 mm
1,75 mm	9,05 mm	10,80 - 12,30 mm
3,25 mm	9,05 mm	12,30 - 13,80 mm

Wiping length up to 1.5mm



Male 1.75mm



Male 3.25mm



Female 6.25mm



Female 9.05mm

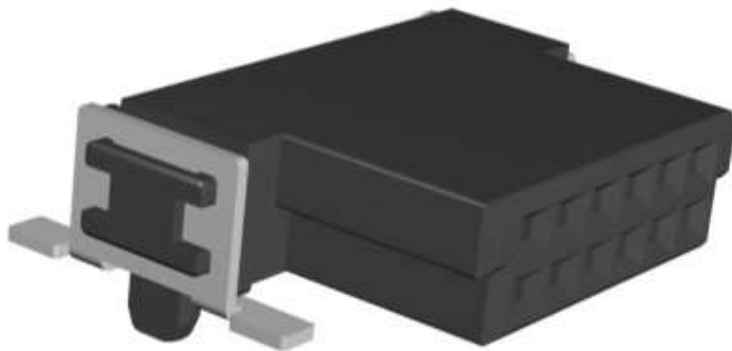
har-flex® angled

Extender Card or Mother-Daughtercard Application



Pushing Performance

- no different stacking heights needed
- one male version, one female version
- will be available in all pin counts



Female



Male

SMT Solder Termination

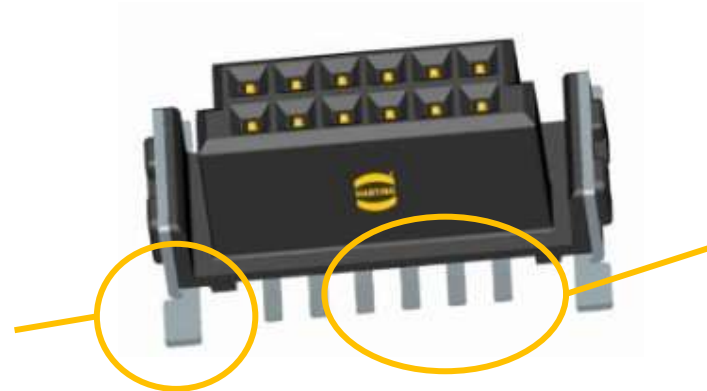
Straight and Angled versions



Pushing Performance

- SMT = Surface Mount Technology

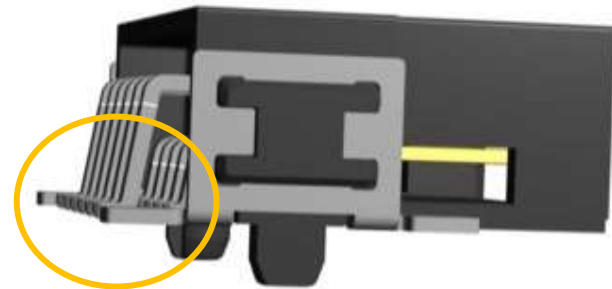
**Robust Fixing
with hold-down**



**SMT Solder termination
contact**

- 100% quality check
for coplanarity

**Coplanarity =
all solder contacts in one plane**



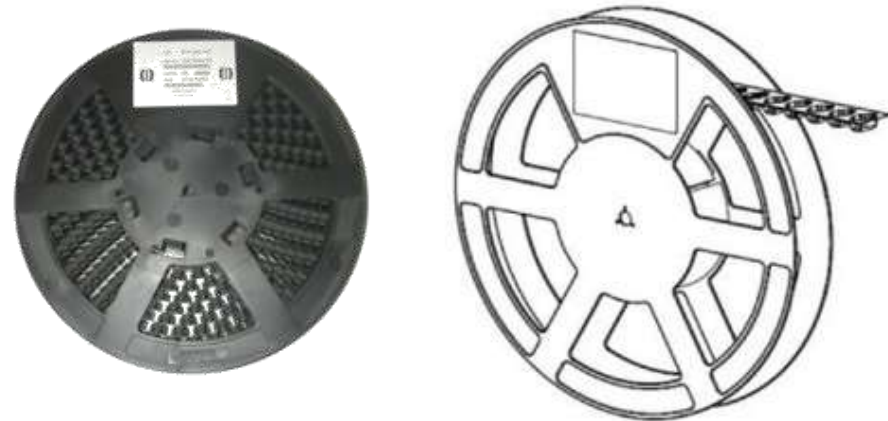
Packaging

har-flex® straight and angled

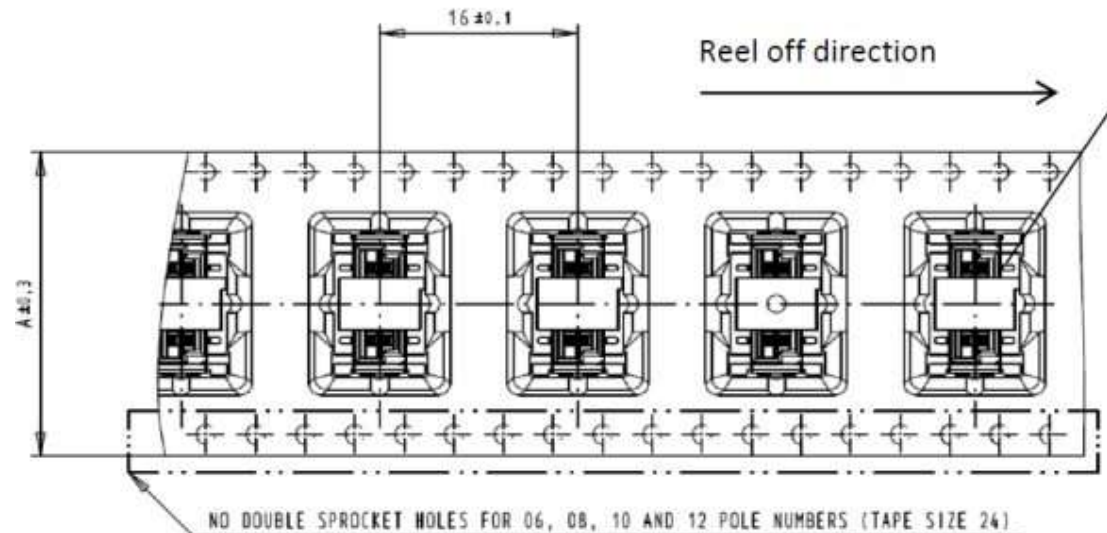


Pushing Performance

- Packaging for automatic assembly
 - Tape & reel packaging
 - MOQ straight: 1 reel=280pcs
 - MOQ angled: 1 reel=560pcs
- for MOQ 1pcs, please use sample part number (*333)

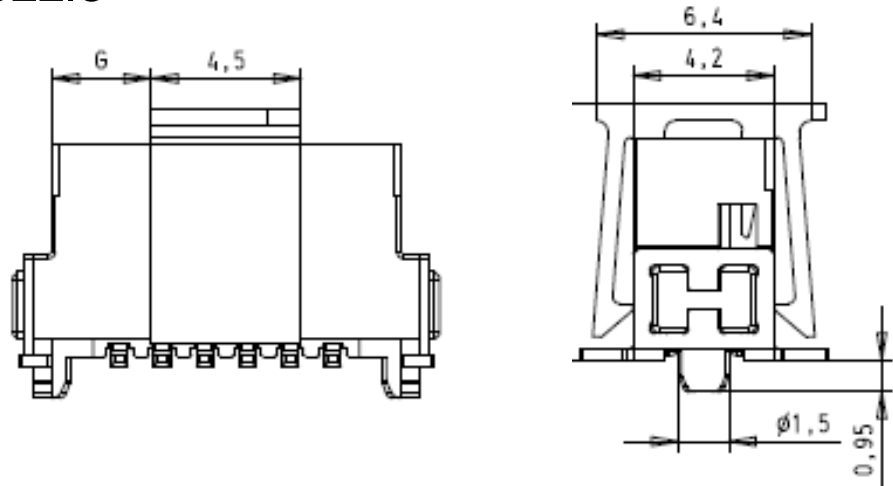
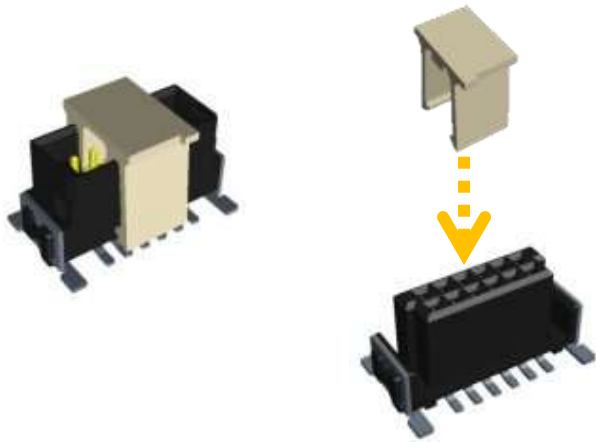


Tape dimensions:	A
poles 06 to 12	24,0
poles 14 to 20	32,0
poles 22 to 40	44,0
poles 42 to 56	56,0
poles 58 to 80	72,0
poles 82 to 100	88,0

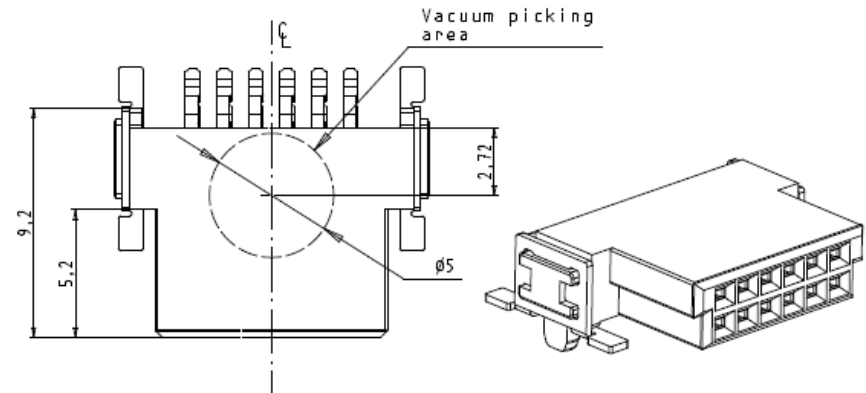


Vacuum Nozzle Cover

- Straight connectors are equipped with a “vacuum cover” for automatic pick and place with a vacuum nozzle



- Angled connectors have a plain area on the top side of the connector where the vacuum nozzle picks up



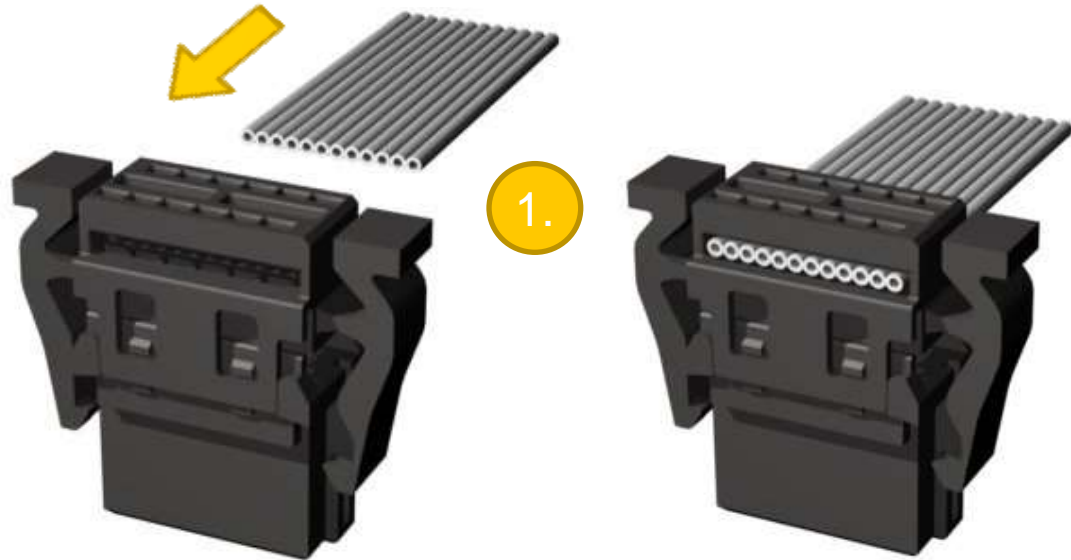
har-flex[®] cable connector (IDC termination)

Easy assembly of the cable

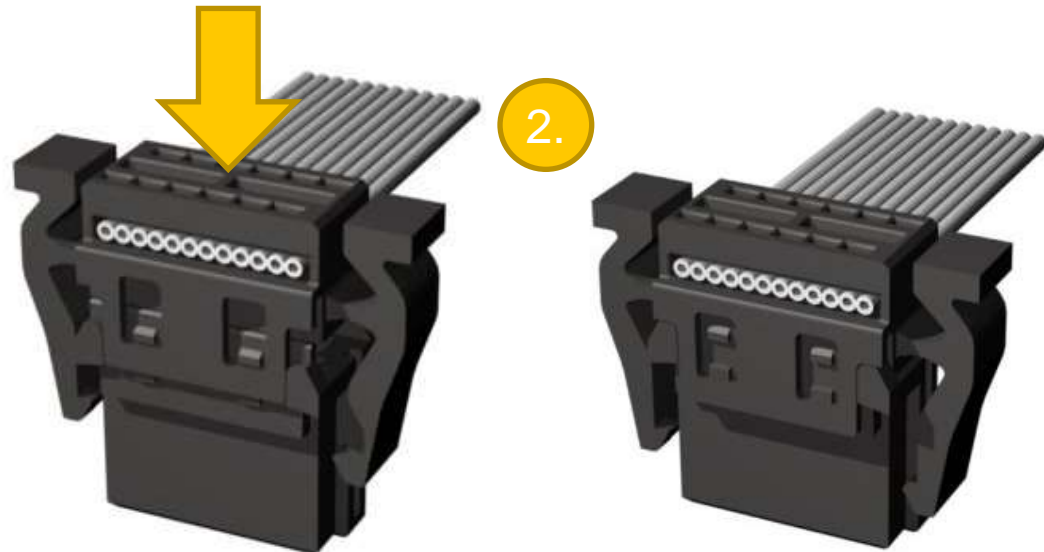


Pushing Performance

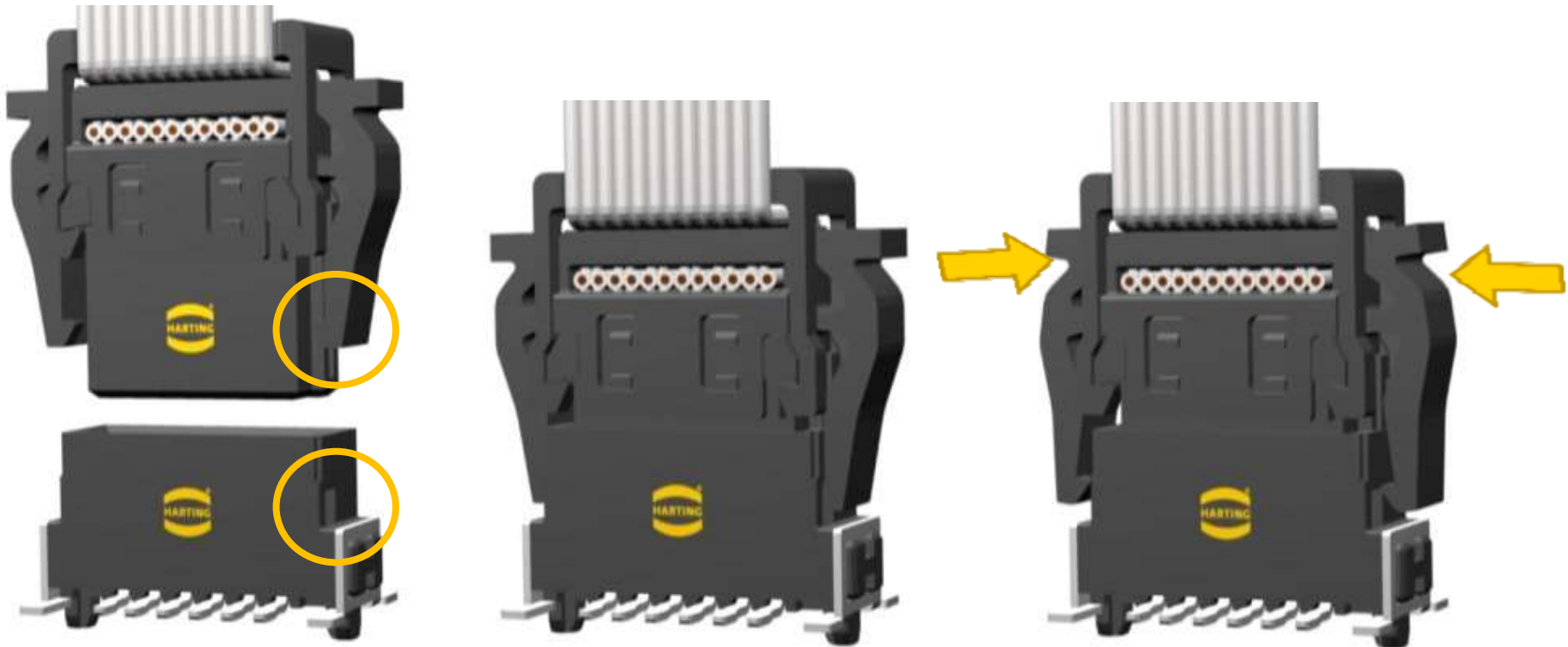
- inserting the cable into the slot of the connector



- pushing down the connector cover



- During mating, the IDC connector locks with its hooks in the male connector
- To unmate the connector, the hooks must be unlocked



har-flex[®] cable connector (IDC termination)

Optional strain relief



Pushing Performance

- The strain relief protects the IDC contacts against mechanical stress caused by movements of the cable



assembled connector
without strain relief



assembled connector
with strain relief

har-flex[®] cable connector (IDC termination)

Strain relief mounting



Pushing Performance

- The strain relief protects the IDC contacts against mechanical stress caused by movements of the cable



har-flex® cable connector (IDC termination)



Pushing Performance

Optional strain relief

— Three part numbers for three delivery options

- only the connector
15 29 xxx x501 000



- both connector and strain relief
15 29 xxx x502 000



- only the strain relief
15 29 xxx 0503 000



- Tray
- Quantity depends on number of contacts
- Please sell complete packaging units
- Samples individually bagged



connector tray



tray for strain reliefs



combined packaging:
connectors and strain reliefs

har-flex® cable connector (IDC termination)

Cable assemblies

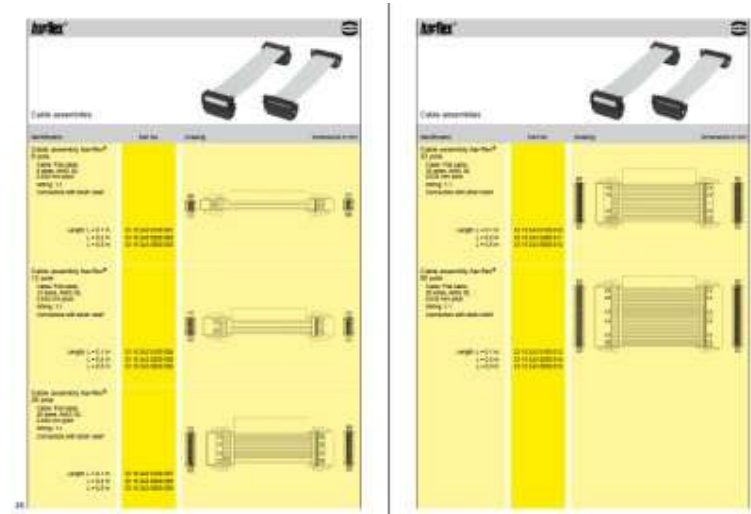


Pushing Performance

- HARTING offers standard cables in the catalog



- Main goal are customer specific cables
 - different lengths possible
 - different pin counts possible
 - with / without strain reliefs



- Customers can also assemble themselves.....



har-flex® cable connector (IDC termination)

Assembly tools



Pushing Performance

- Hand bench press
09 99 000 0114
- har-flex® base plate
15 97 000 0500 000

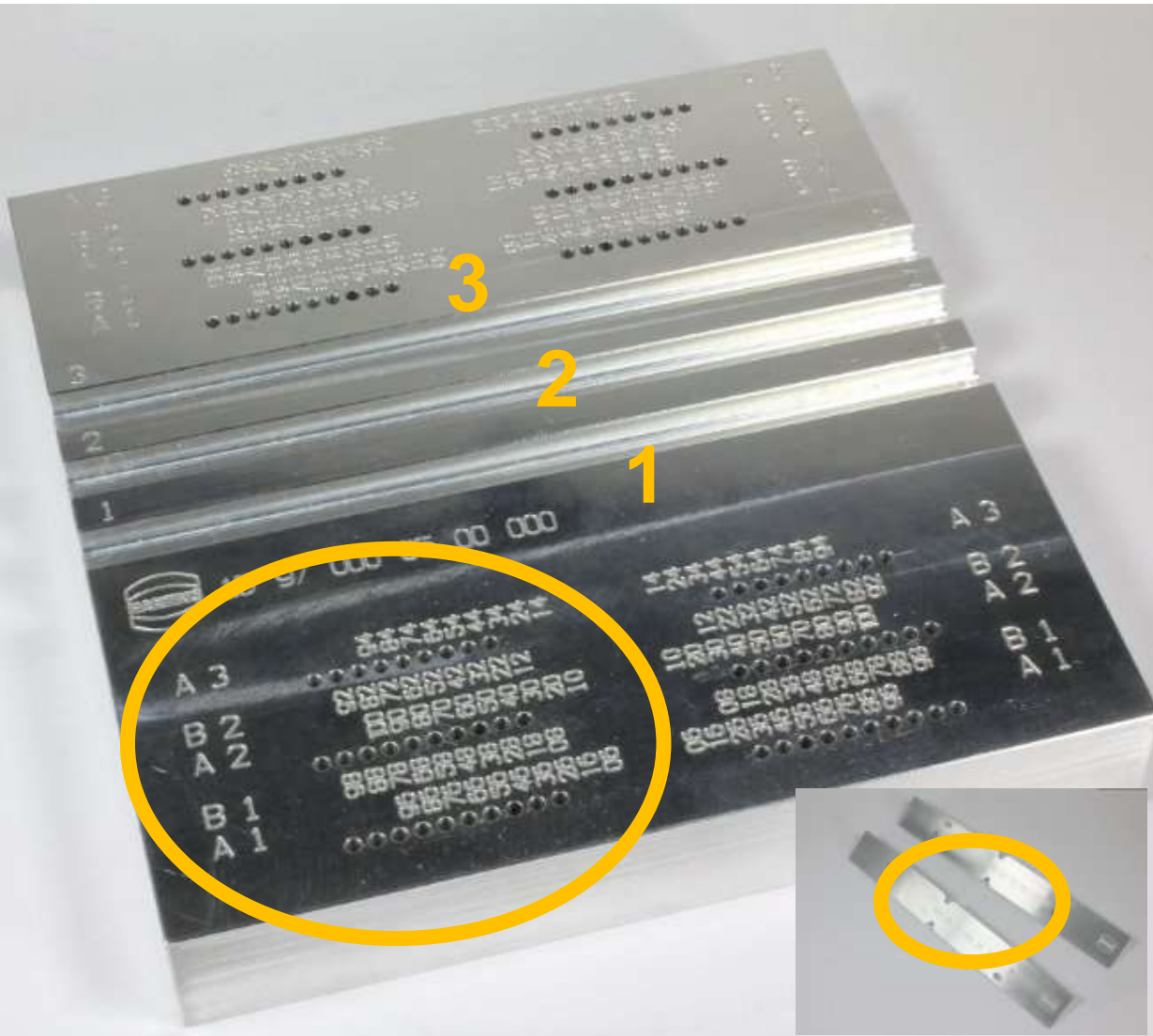


IDC hand bench press baseplate

Short instruction



Pushing Performance



- One baseplate for all sizes
- Different sizes are terminated in different grooves 1, 2, 3
- Cable guides on the baseplate, ensure easy alignment
- Fast, reliable termination
- Don't worry, it is not as complicated as it looks!



Status Today

Status *har-flex*® straight connectors



Pushing Performance

- The series production of the *har-flex*® straight connector versions are fully available.
- Production is in our China facility
- Both types, male and female, are available with 2 different stacking heights
- All pin counts are available, though not all are stocked at this time.
- Our FY 2013 price list includes most popular sizes.....
-6, 8, 10, 12, 16, 20, 26, 32, 40, 50, 68, 80 contacts.
- For part numbers not in the price list contact product management

Status *har-flex*® angled connectors



- Series delivery of ***har-flex*® angled connectors** with approved parts for design-in purposes will start in the first week of January 2013.
- Production will transfer to China by May 2013
- At this time we will have a wide range of pin counts with the “MOQ 1pcs” part number (ending with *333) available.
- Production is underway and some pin counts will be available in December.
- Lead time during the ramp up is approx 6 weeks – up to 10 weeks for higher quantities
- Today angled samples in stock but marked as engineering samples. The pin counts in stock are 12, 20, 32, 50, 68 contacts
- Price list will be issued in January



- In January, we will be able to offer the most relevant pin counts of ***har-flex*® IDC connectors** from 6 to 50 contacts. These are 6, 8, 10, 12, 16, 20, 26, 32, 40, 50 Contacts
- NOTE – the maximum pin count for the IDC range will be limited to 50 contacts pending additional tooling development
- Production transfer to China is almost complete
- Initial lead time for non-stocked parts is 10 weeks
- Samples and high volume orders are processed with the part number ending with *000, there is no special sample part number.
- Today IDC samples in stock but marked as engineering samples. The pin counts in stock are 6, 12, 16, 20, 26 contacts
- Price list will be issued in January



Marketing material



- In Stock Elgin
- Order part number 98510360201

har-flex®

Female connectors, straight

Specification	Number of contacts	Part No.	Dimensions in mm					
Female connector, straight, stacking height 6.25 / 9.50 mm			A	B	C	D	E	
6	10-2-306	001	7.24	8.54	9.85	11.16	4.16	
8	10-2-308	001	7.87	9.17	10.48	11.79	4.51	
10	10-2-310	001	8.50	9.80	11.11	12.42	4.86	
12	10-2-312	001	9.13	10.43	11.74	13.05	5.21	
14	10-2-314	001	9.76	11.06	12.37	13.68	5.56	
16	10-2-316	001	10.39	11.69	13.00	14.31	5.91	
20	10-2-320	001	13.43	14.73	16.04	17.35	7.81	
25	10-2-325	001	16.47	17.77	19.08	20.39	9.71	
30	10-2-330	001	19.51	20.81	22.12	23.43	11.61	
35	10-2-335	001	22.55	23.85	25.15	26.46	13.51	
40	10-2-340	001	25.59	26.89	28.18	29.49	15.41	
50	10-2-350	001	32.11	33.41	34.72	36.03	19.31	
60	10-2-360	001	38.63	39.93	41.24	42.55	23.21	
70	10-2-370	001	45.15	46.45	47.76	49.07	27.11	
80	10-2-380	001	51.67	52.97	54.28	55.59	31.01	
90	10-2-390	001	58.19	59.49	60.80	62.11	34.91	
100	10-2-400	001	64.71	66.01	67.32	68.63	38.81	
125	10-2-425	001	81.83	83.13	84.44	85.75	48.71	
150	10-2-450	001	98.95	100.25	101.56	102.87	58.61	
175	10-2-475	001	116.07	117.37	118.68	120.00	68.51	
200	10-2-500	001	133.19	134.49	135.80	137.11	78.41	
250	10-2-550	001	166.51	167.81	169.12	170.43	98.31	
300	10-2-600	001	199.83	201.13	202.44	203.75	118.21	
350	10-2-650	001	233.15	234.45	235.76	237.07	138.11	
400	10-2-700	001	266.47	267.77	269.08	270.39	158.01	
450	10-2-750	001	299.79	301.09	302.40	303.71	177.91	
500	10-2-800	001	333.11	334.41	335.72	337.03	197.81	
550	10-2-850	001	366.43	367.73	369.04	370.35	217.71	
600	10-2-900	001	399.75	401.05	402.36	403.67	237.61	
650	10-2-950	001	433.07	434.37	435.68	436.99	257.51	
700	10-2-1000	001	466.39	467.69	469.00	470.31	277.41	
750	10-2-1050	001	499.71	501.01	502.32	503.63	297.31	
800	10-2-1100	001	533.03	534.33	535.64	536.95	317.21	
850	10-2-1150	001	566.35	567.65	568.96	570.27	337.11	
900	10-2-1200	001	599.67	600.97	602.28	603.59	357.01	
950	10-2-1250	001	632.99	634.29	635.60	636.91	376.91	
1000	10-2-1300	001	666.31	667.61	668.92	670.23	396.81	

Presser insert depth for stacking height: 6.25 mm (1), 9.50 mm (2)

For performance level 1 for performance level 2 for performance level 2

For 2000 pin only

Cardboard box *har-flex*®



Pushing Performance

- cardboard box in *har-flex*® design
- We can use these for a specific promotion campaign with you
- Space for 2 connectors up to 50pin in tape packaging or up to 80pin without tape packaging



Small, flexible, robust connectors maximize pcb space

Har-flex series of space-saving, rugged and flexible pcb connectors are available in straight connector versions, as well as insulation displacement connectors and with right-angled configurations. Based on a 2-row, 1.27-mm grid, products provide all even-numbered models from 6 to 100 pins that allows for optimal utilization of pcb real-estate. For mezzanine applications, product comes in straight models in four different stack heights that allow parallel pcb distances from 8-13.8 mm to be bridged.

HARTING CANADA



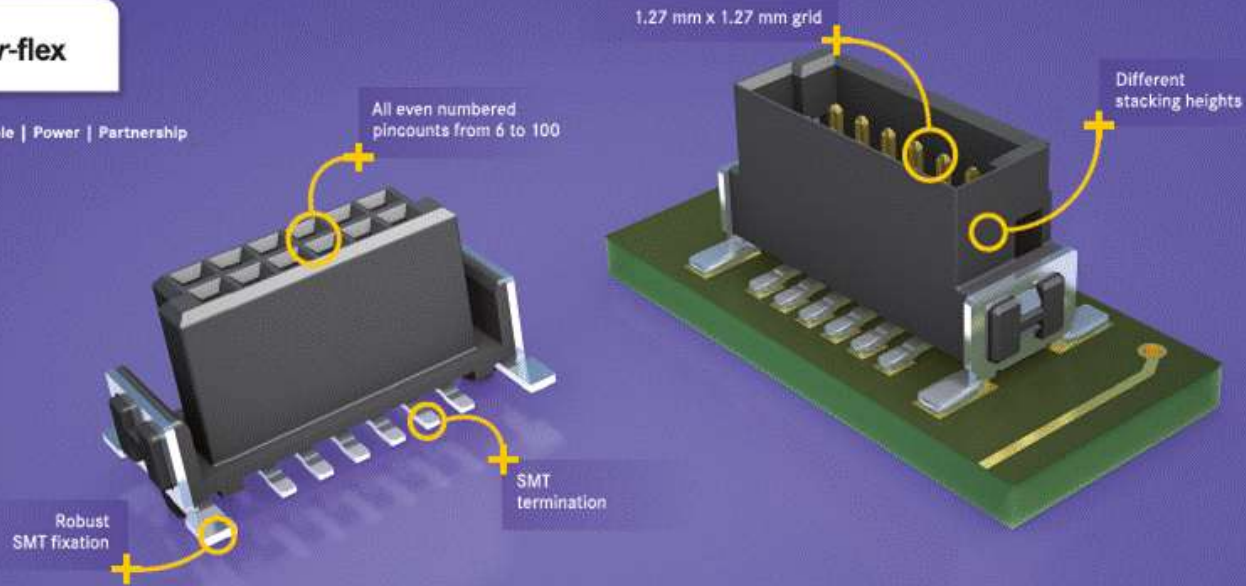
EPT Mar-Apr-2012.

<http://ind.harting.com/MS10.51>

The screenshot shows the HARTING website interface. At the top, there is a navigation bar with the HARTING logo and 'Pushing Performance' tagline. On the right, there are links for 'Login / Register', 'Help', '99 Deutschland', and a language dropdown set to 'english (english)'. Below this is a search bar with 'All categories' and 'Search term' fields, and a 'Your shopping cart' button. The main content area is titled 'Board-to-Board Connectors' and 'har-flex@ (1.27mm)'. It features a product image of various Har-flex connectors, a detailed description of the series, and three sub-category sections: 'Straight connectors', 'Angled connectors', and 'Cable-to-board connectors'. Each section includes a small image and a brief description of the connector type and its applications. A 'Catalogue' sidebar on the right offers 'Browse' and 'Download' options.

har-flex

People | Power | Partnership



har-flex. Compact, rugged and highly flexible.

HARTING's *har-flex* offers a space-saving, rugged and flexible solution for the most diverse "board-to-board" applications. Available in 48 different lengths and 4 heights, the *har-flex* product line will continue to expand by offering compatible insulation displacement connectors for "cable-to-board" applications, as well as angled versions.

HARTING: Pushing Performance creates greater flexibility for you.

Please contact: HARTING Electronics GmbH & Co. KG
Marienwenderstraße 3 | D-32339 Espelkamp | Tel +49 5772 47-97200 | Fax +49 5772 47-7777 | electronics@HARTING.com

www.HARTING.com



Pushing Performance



Competitor Snapshot

Direct Competitors

100% compatibility to the *har-flex*[®] connector range



Pushing Performance



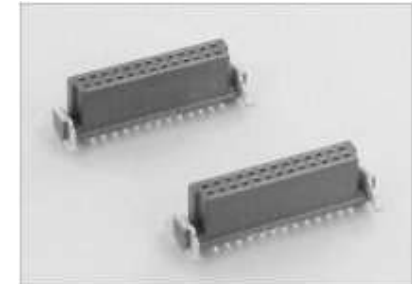
**Erni Electronics,
Germany**

**1.27mm SMC
connectors**



**Don Connex,
Taiwan**

**HALF PITCH FEMALE
HEADER SMT TYPE**



ITT Cannon

**MSMC
connectors**



Competitor Cross Reference



Pushing Performance

A	B	C	D	E	F	G	H	I
Competitor	Competitor order number	HARTING order number	gender	type	pin count	PL	HARTING Packaging	
ERNI	054594	15150122601000	male	angled	012	PL1	tape&reel, full reels only	
ERNI	054595	15150262601000	male	angled	026	PL1	tape&reel, full reels only	
ERNI	054596	15150502601000	male	angled	050	PL1	tape&reel, full reels only	
ERNI	063179	15120122601000	male	stacking height 3.25mm	012	PL1	tape&reel, full reels only	
ERNI	063209	15120262601000	male	stacking height 3.25mm	026	PL1	tape&reel, full reels only	
ERNI	063210	15120502601000	male	stacking height 3.25mm	050	PL1	tape&reel, full reels only	
ERNI	064316	15210502601000	female	stacking height 6.25mm	050	PL1	tape&reel, full reels only	
ERNI	064317	15210262601000	female	stacking height 6.25mm	026	PL1	tape&reel, full reels only	
ERNI	064318	15210122601000	female	stacking height 6.25mm	012	PL1	tape&reel, full reels only	
ERNI	064319	15110502601000	male	stacking height 1.75mm	050	PL1	tape&reel, full reels only	
ERNI	064320	15110262601000	male	stacking height 1.75mm	026	PL1	tape&reel, full reels only	
ERNI	064321	15110122601000	male	stacking height 1.75mm	012	PL1	tape&reel, full reels only	
ERNI	104557	15250122601000	female	angled	012	PL1	tape&reel, full reels only	
ERNI	104558	15250262601000	female	angled	026	PL1	tape&reel, full reels only	
ERNI	104559	15250502601000	female	angled	050	PL1	tape&reel, full reels only	
ERNI	114803	15220682601000	female	stacking height 9.05mm	068	PL1	tape&reel, full reels only	
ERNI	114804	15220802601000	female	stacking height 9.05mm	080	PL1	tape&reel, full reels only	
ERNI	114805	15150682601000	male	angled	068	PL1	tape&reel, full reels only	
ERNI	114806	15150802601000	male	angled	080	PL1	tape&reel, full reels only	
ERNI	114807	15120682601000	male	stacking height 3.25mm	068	PL1	tape&reel, full reels only	
ERNI	114808	15120802601000	male	stacking height 3.25mm	080	PL1	tape&reel, full reels only	
ERNI	124043	15220122601000	female	stacking height 9.05mm	012	PL1	tape&reel, full reels only	
ERNI	124044	15220262601000	female	stacking height 9.05mm	026	PL1	tape&reel, full reels only	
ERNI	124045	15220502601000	female	stacking height 9.05mm	050	PL1	tape&reel, full reels only	
ERNI	124260	15290122501000	female	IDC without strain relief	012	PL1	tray	
ERNI	124261	15290262501000	female	IDC without strain relief	026	PL1	tray	
ERNI	124262	15290502501000	female	IDC without strain relief	050	PL1	tray	

Cross reference Competitor sort | Cross reference HARTING sort

Other Competitors

Connectors for similar applications, not compatible with *har-flex*®



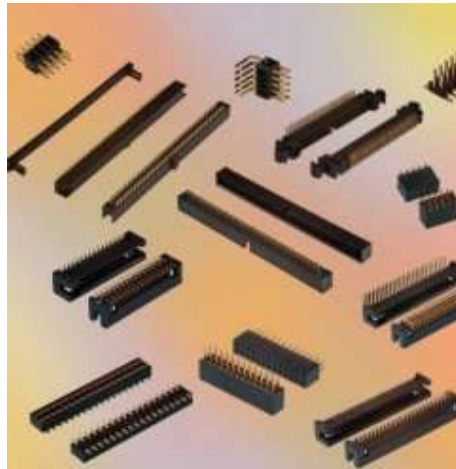
Pushing Performance



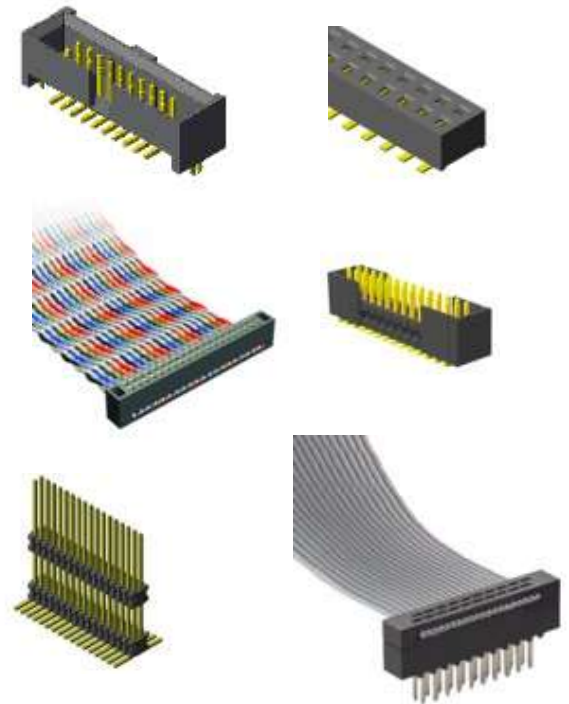
AMP Modu 1.27mm



Minitek, Ribcage



diverse series



Other Competitors

Connectors for similar applications, not compatible with *har-flex*®



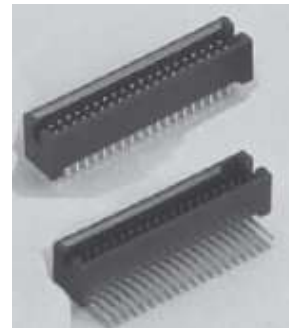
Pushing Performance



FX2 series



NF, NP, NS series



M50 series





Logistics information

Order information for *har-flex*®

Part number system



Pushing Performance

15 x x x x x x x 0 1 x x x

number of contacts
(always 3 digits)

11 = straight male 1.75mm
12 = straight male 3.25mm
15 = angled male
21 = straight female 6.25mm
22 = straight female 9.05mm
25 = angled female
29 = cable connector

5 = IDC termination
6 = SMT termination

Performance Level

2 = PL 1 (500 mating cycles)
5 = 30µinch PdNi / Au flash
6 = PL 2 (250 mating cycles)

Package / Order unit

000 = Tape/Reel (for PCB connectors).
Tray (for cable connectors)
333 = Tape „1 piece“ packaging
not “333” for cable connectors !

PCB connectors

counting number

IDC connectors

1 = without strain relief
2 = with strain relief
3 = only strain relief (PL = 0)

Order information for *har-flex*®



Pushing Performance

har-flex straight



har-flex angled



har-flex cable IDC



p/n *000

p/n *333

p/n *000

p/n *333

p/n *000

Standard p/n

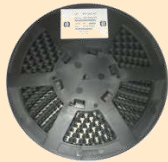
Samples

Standard p/n

Samples

Standard p/n
and samples

Tape /
Reel



Tape



Tape /
Reel



Tape



Tray



MOQ 280pcs.
Full reels only !

MOQ 1pcs

MOQ 560pcs.
Full reels only !

MOQ 1pcs

MOQ 1pcs, full
unit preferred

SAP order unit:
1 Reel

SAP order unit:
1 pcs

SAP order unit:
1 Reel

SAP order unit:
1 pcs

SAP order unit:
1 pcs



Summary

- Miniaturization of PCBs with excellent mechanical stability
- Efficient utilization of the PCB real estate
- Flexible architectures “pizza box” connectivity
- Wide range of pin counts 6 - 100
- Availability even of small batches of customer specific pin counts with a short lead time at competitive pricing
- Assembly of all PCB components in one process (SMT = Surface Mount Termination -> reflow solder process)
- Automatic assembly process -> “pick-and-place” - tape-and-reel packaging
- Compatible with Erni SMC = dual source

- The door is open for all of Distribution partners to sell this exciting new product line.
- Tell us where you see opportunities and allow us to support you addressing those opportunities.
- Consider specific campaigns to your target customers and markets

“Flexible connectivity solutions for board to board and board to cable applications. Robust SMT design for ease of processing and full compatibility with surface mount boards. Optimized use of available real estate through availability of all even numbered contact counts from 6 to 100 contacts”

*thank you
for your attention*



Looking for pricing, stock, or lifecycle information?

Click below to explore more details on WIN SOURCE:

 [View 15210802601000 on WIN SOURCE](#)

 [HARTING](#) Information

Optimize Your Supply Chain with WIN SOURCE Solutions

-  Global Sourcing Solution
-  Obsolete Management
-  Cost Control Management
-  Shortage Management
-  Alternative Solution
-  Excess Inventory Management