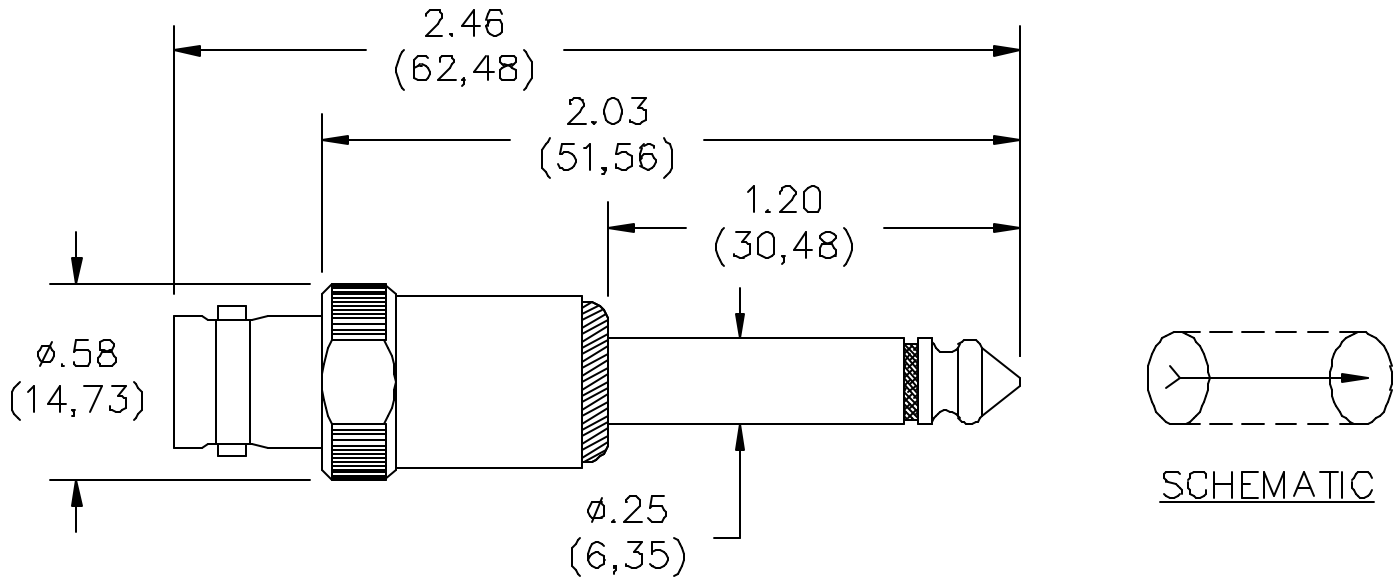




THE DATASHEET OF
1297





FEATURES:

- Enables interconnection between telephone equipment and BNC based test instruments.
- Readily adapters standard phone jacks for BNC Cables.
- BNC (Female) contact is gold plated Beryllium Copper for noise free connection.
- Adapter is tarnish resistant for good lab appearance.

MATERIALS:

BNC (Male): Body – Brass, Tarnish Resistant
 Center Contact: Beryllium Copper, Gold Plated
 Dielectric: PTFE

Handle: Brass, Nickel Plated

Phone Plug (Two Conductors): Brass, Nickel Plated

RATINGS:

Operating Voltages: 500 VRMS

Operating Temperature: +125°C (+257°F)

Impedance: 50 Ohms

All dimensions are in inches. Tolerances (except noted): .xx = $\pm .02$ " (.51 mm), .xxx = $\pm .005$ " (.127 mm).
 All specifications are to the latest revisions. Specifications are subject to change without notice.
 Registered trademarks are the property of their respective companies. Made in USA

Pomona®

Model 1297
BNC (Female) To Standard 1/4"
Two Conductor Phone Plug

ORDERING INFORMATION: Model 1297

All dimensions are in inches. Tolerances (except noted): .xx = $\pm .02$ " (.51 mm), .xxx = $\pm .005$ " (.127 mm).
All specifications are to the latest revisions. Specifications are subject to change without notice.
Registered trademarks are the property of their respective companies. Made in USA

6/9/99

SY/EH/LS

S:\Engineering\Release\DataSheets\FI\FlukeDataSheet\d1297_1_01.doc

Sales: 800-490-2361 Fax: 888-403-3360

Technical Assistance: 800-241-2060



PomonaACCESS 90502 (800) 444-6785 or (425) 446-6010

More drawings available at www.pomonaelectronics.com

Page 1 of 2

Looking for pricing, stock, or lifecycle information?

Click below to explore more details on WIN SOURCE:

-  [View 1297](#) on WIN SOURCE
-  [Pomona Electronics](#) Information

Optimize Your Supply Chain with WIN SOURCE Solutions

-  Global Sourcing Solution
-  Obsolete Management
-  Cost Control Management
-  Shortage Management
-  Alternative Solution
-  Excess Inventory Management