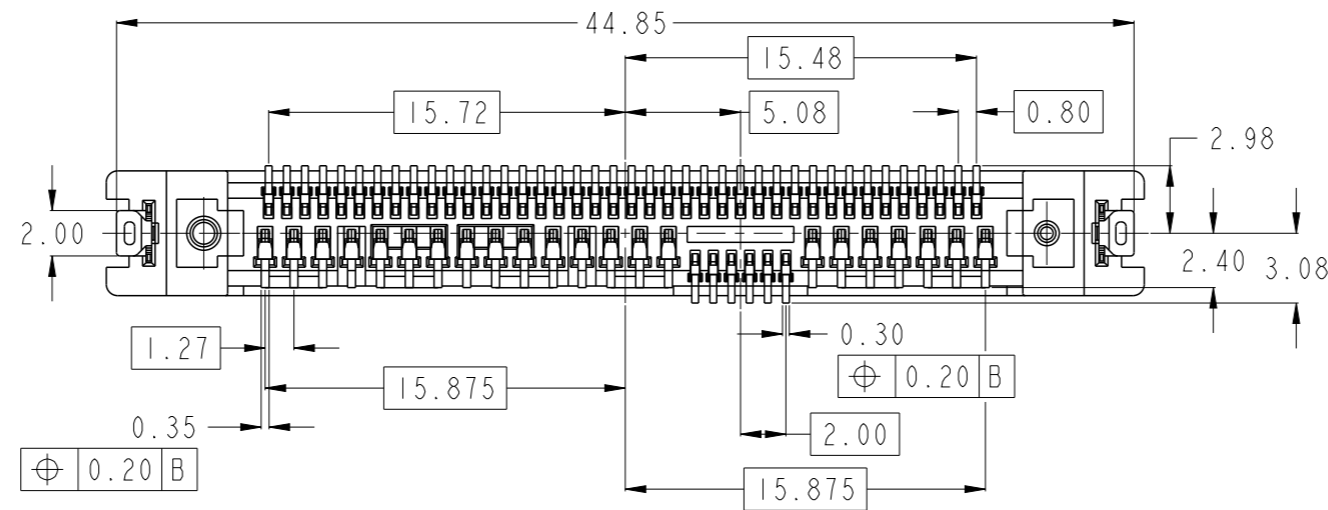
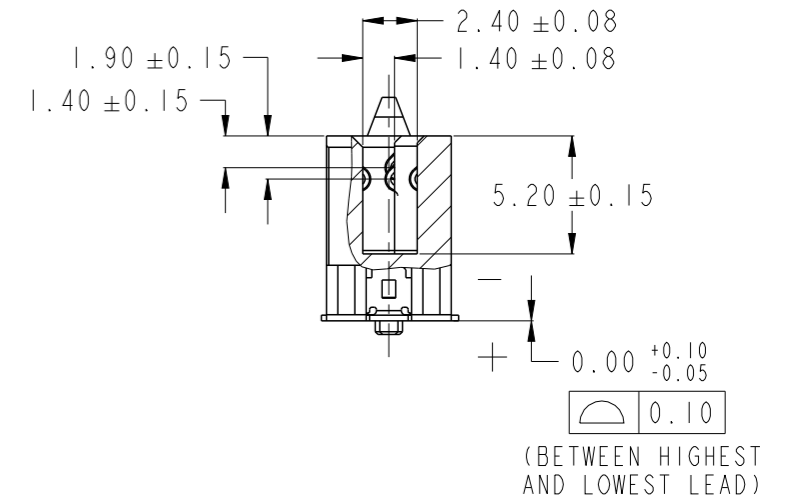
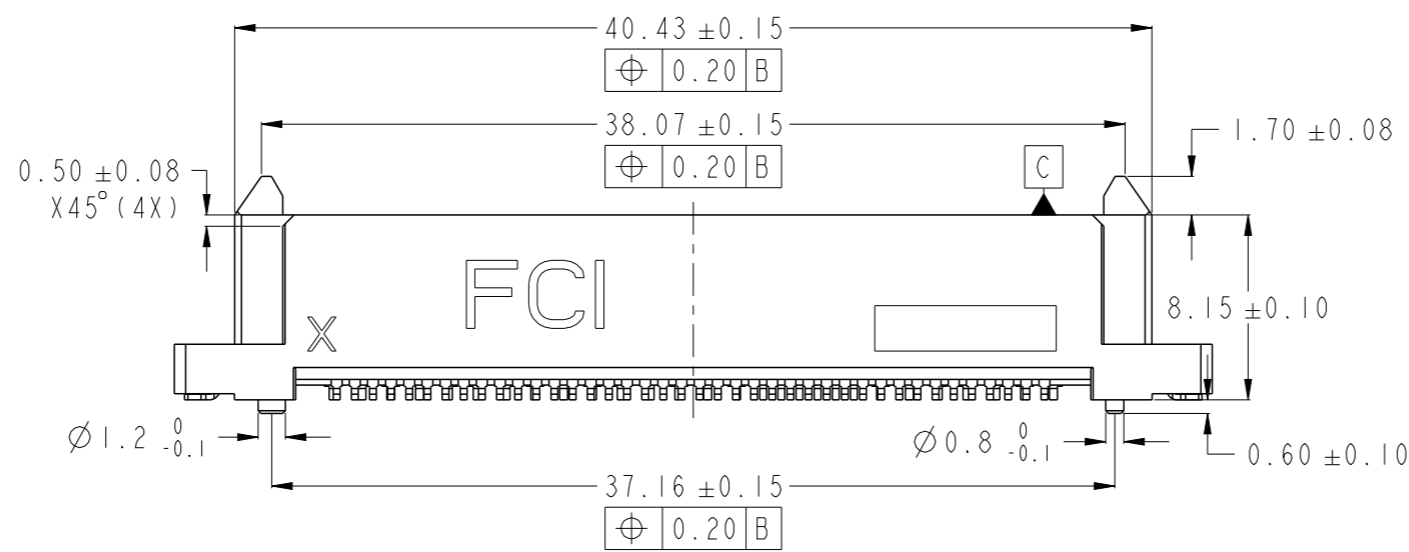
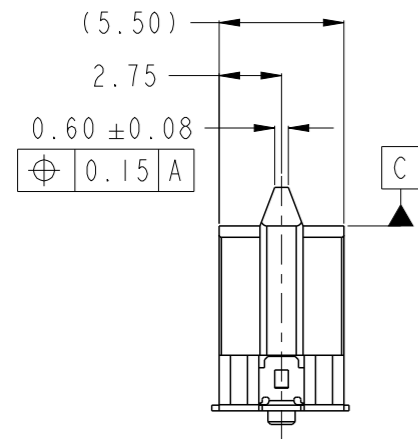
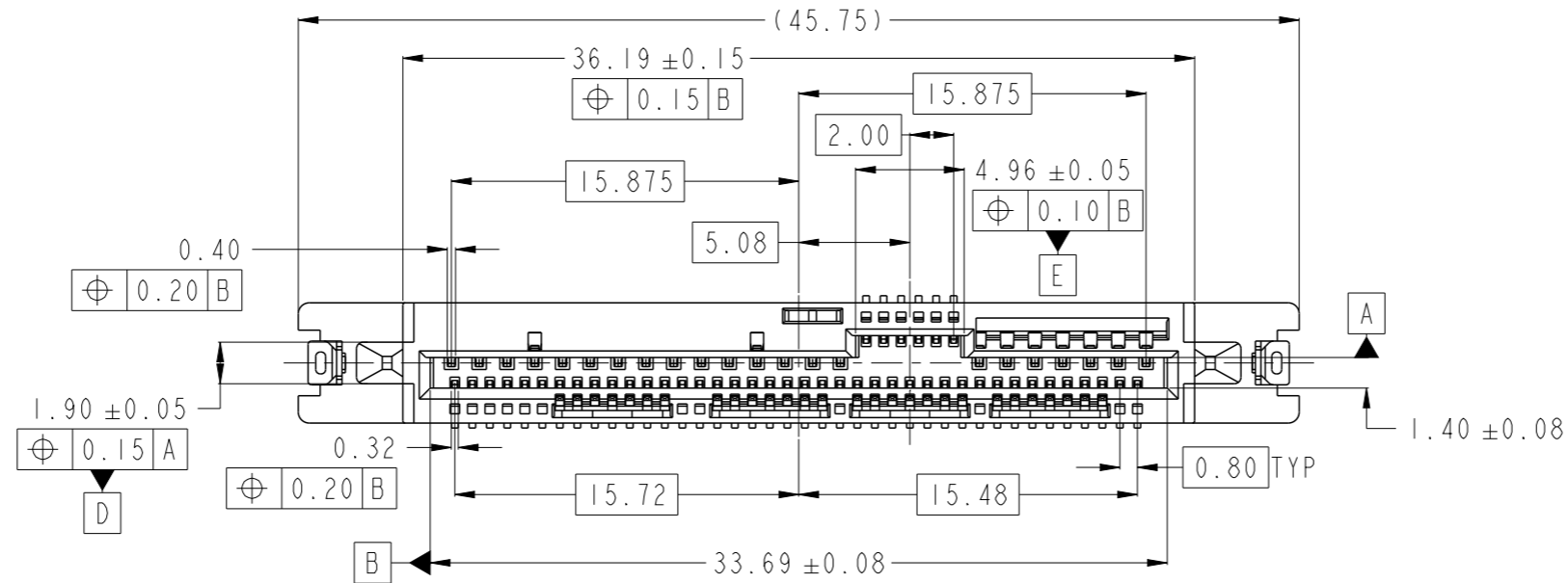




PRODUCT No.  
SEE TABLE

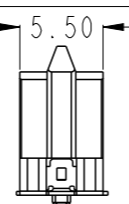


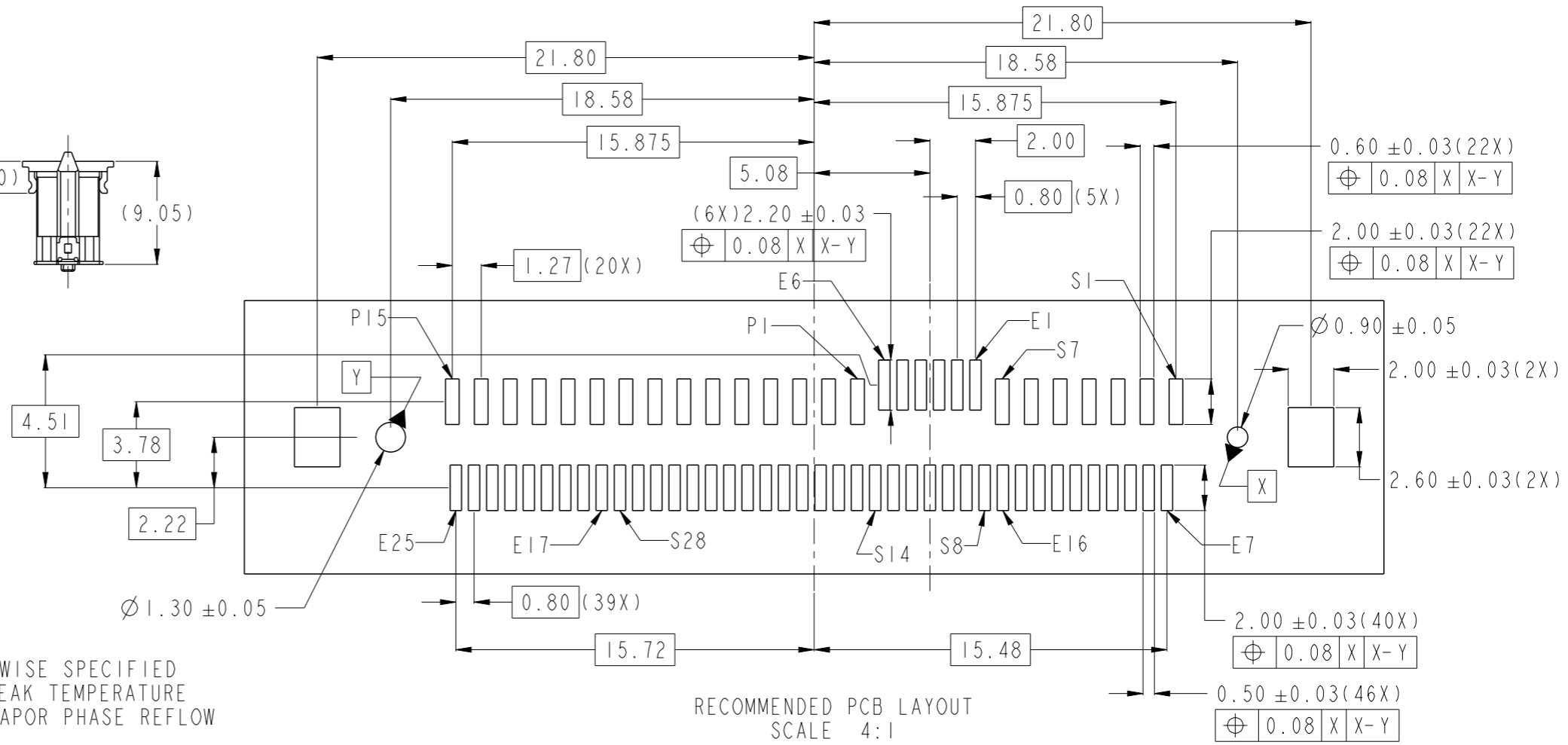
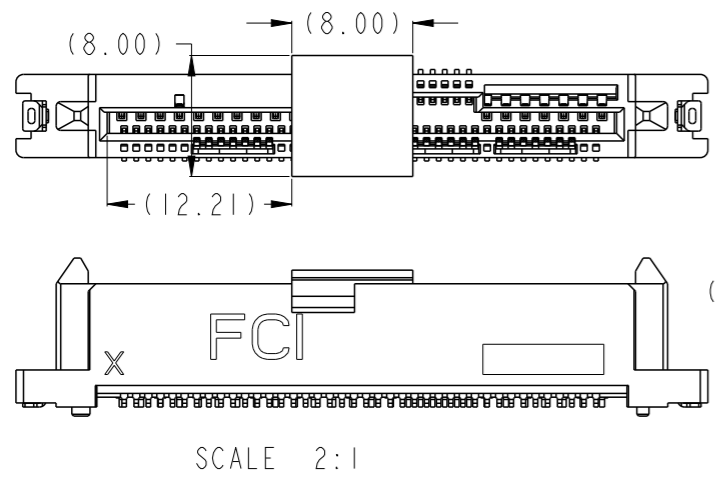
SCALE 3:1


spec ref	-	dr	Koon-Poh Tay	2013/11/06	projection	MM	size	A3	scale	1:1												
tolerance std	TOLERANCES UNLESS OTHERWISE SPECIFIED	eng	Koon-Poh Tay	2015/02/17			ecn no	ELX-S-20267-1														
-		chr	-	-			rel level	Released														
surface	<table border="1"> <tr> <td>linear</td> <td>0.X</td> <td>±0.30</td> </tr> <tr> <td></td> <td>0.XX</td> <td>±0.20</td> </tr> <tr> <td></td> <td>0.XXX</td> <td>±-</td> </tr> <tr> <td>angular</td> <td>0°</td> <td>±2°</td> </tr> </table>	linear	0.X	±0.30		0.XX	±0.20		0.XXX	±-	angular	0°	±2°	appr	Chen-Hong Tan	2015/03/02	product family	-	rel level	Released		
linear	0.X	±0.30																				
	0.XX	±0.20																				
	0.XXX	±-																				
angular	0°	±2°																				
-					SAS/PCIe RECEPTACLE		dwg no	10120513		rev	B											
-		www.fci.com			cat. no.	-	Product - Customer Drw		sheet 1 of 2													



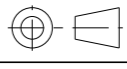
Copyright FCI.

PRODUCT No.	HOLD DOWN	PLATING	PICK UP CAP	PACKAGING	REMARKS
10120513-001LF	2 PCS	NOTE 2	NO	TRAY	
10120513-001CLF			YES		
10120513-001TRLF			NO	TAPE & REEL	
10120513-001C-TRLF			YES		
10120513-002LF			NO	TRAY	
10120513-002CLF			YES		
10120513-002TRLF			NO	TAPE & REEL	
10120513-002C-TRLF			YES		



- NOTES:
- MATERIAL:
    - HOUSING HIGH TEMP THERMOPLASTIC, UL 94V-0 COLOUR: BLACK
    - TERMINAL: COPPER ALLOY
    - HOLD DOWN: COPPER ALLOY
  - FINISH:
    - TERMINAL: 30u" Au PLATING (CONTACT POINT) OVER 50u" NICKEL
    - SOLDER TAIL: 100u" MIN Sn OVER 50u" NICKEL
    - HOLD DOWN: 100u" MIN Sn OVER 50u" NICKEL
  - PER SFF REV 2.2, EXCEPT 0.8mm PITCH BUMP AREA
  - THE STANDARD PACKAGING IS IN TRAY UNLESS OTHERWISE SPECIFIED
  - THE HOUSING WILL WITHSTAND EXPOSURE TO 260°C PEAK TEMPERATURE FOR 10 SECONDS IN A CONVECTION, INFRA-RED OR VAPOR PHASE REFLOW OVEN.
  - THIS PRODUCT MEETS EUROPEAN UNION DIRECTIVES AND OTHER COUNTRY REGULATIONS AS DESCRIBED IN GS-47-0004.
  - PART NUMBER ENDING IN "LF" MEANS FOR NOTE 8 LEAD FREE IDENTIFICATION.
  - A  SYMBOL WILL BE NEXT TO ANY DIMENSION, VIEW, OR NOTE WHICH HAS BEEN MODIFIED WITH THE CURRENT DRAWING REVISION.

Copyright FCI.

spec ref	-	dr	Koon-Poh Tay	2013/11/06	projection	MM	size	A3	scale	1:1												
tolerance std	TOLERANCES UNLESS OTHERWISE SPECIFIED	eng	Koon-Poh Tay	2015/02/17		← →	ecn no	ELX-S-20267-1	rel level	Released												
-	-	chr	-	-																		
surface	<table border="1"> <tr> <td>linear</td> <td>0.X</td> <td>±0.30</td> </tr> <tr> <td></td> <td>0.XX</td> <td>±0.20</td> </tr> <tr> <td></td> <td>0.XXX</td> <td>±-</td> </tr> <tr> <td>angular</td> <td>0°</td> <td>±2°</td> </tr> </table>	linear	0.X	±0.30		0.XX	±0.20		0.XXX	±-	angular	0°	±2°	appr	Chen-Hong Tan	2015/03/02	product family	SAS/PCIe RECEPTACLE VERTICAL SMT	dwg no	10120513	rev	B
linear	0.X	±0.30																				
	0.XX	±0.20																				
	0.XXX	±-																				
angular	0°	±2°																				
		www.fci.com			cat. no.		Product - Customer Drw		sheet 2 of 2													

## Looking for pricing, stock, or lifecycle information?

Click below to explore more details on WIN SOURCE:

 [View 10120513-002C-TRLF on WIN SOURCE](#)

 [Amphenol Information](#)

## Optimize Your Supply Chain with WIN SOURCE Solutions

-  Global Sourcing Solution
-  Obsolete Management
-  Cost Control Management
-  Shortage Management
-  Alternative Solution
-  Excess Inventory Management