



**THE DATASHEET OF
XR8052AMP8MTR**





A New Direction in Mixed-Signal

XR8051, XR8052, XR8054

Low Cost, High Speed Rail-to-Rail Amplifiers

General Description

The XR8051 (single), XR8052 (dual) and XR8054 (quad) are low cost, voltage feedback amplifiers. These amplifiers are designed to operate on +3V to +5V, or $\pm 5V$ supplies. The input voltage range extends 300mV below the negative rail and 0.9V below the positive rail.

The XR8051, XR8052, and XR8054 offer superior dynamic performance with a 260MHz small signal bandwidth and 190V/ μs slew rate. The combination of low power, high output current drive, and rail-to-rail performance make these amplifiers well suited for battery-powered systems and video applications.

The combination of low cost and high performance make the XR8051, XR8052, and XR8054 suitable for high volume applications in both consumer and industrial applications such as video surveillance and distribution systems, professional and IPC cameras, active filter circuits, coaxial cable drivers, and electronic white boards.

FEATURES

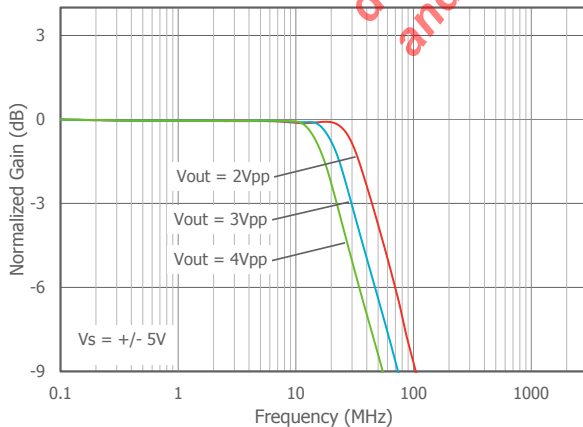
- 260MHz bandwidth
- Fully specified at +3V, +5V and $\pm 5V$ supplies
- Output voltage range:
 - 0.03V to 4.95V; $V_S = +5$; $R_L = 2k\Omega$
- Input voltage range:
 - 0.3V to +4.1V; $V_S = +5$
- 190V/ μs slew rate
- 2.6mA supply current per amplifier
- $\pm 100mA$ linear output current
- $\pm 125mA$ short circuit current
- XR8051 directly replaces AD8051, AD8091
- XR8052 directly replaces AD8052, AD8092
- XR8054 directly replaces AD8054

APPLICATIONS

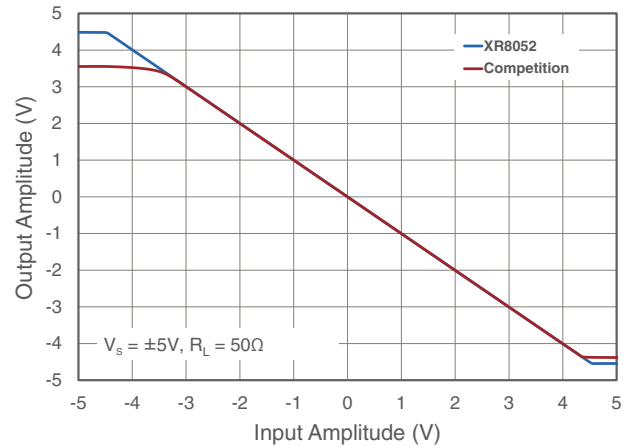
- Video driver
- Video surveillance and distribution
- A/D driver
- Active filters
- CCD imaging systems
- CD/DVD ROM
- Coaxial cable drivers
- High capacitive load driver
- Portable/battery-powered applications
- Twisted pair driver
- Telecom and optical terminals

Ordering Information - [page 26](#)

Large Signal Frequency Response



Output Voltage Swing vs Competition



Absolute Maximum Ratings

Stresses beyond the limits listed below may cause permanent damage to the device. Exposure to any Absolute Maximum Rating condition for extended periods may affect device reliability and lifetime.

V_S 0V to +14V
 V_{IN} $-V_S - 0.5V$ to $+V_S + 0.5V$

Operating Conditions

Supply Voltage Range2.7 to 12.6V
 Operating Temperature Range-40°C to 125°C
 Junction Temperature 150°C
 Storage Temperature Range.....-65°C to 170°C
 Lead Temperature (Soldering, 10s)260°C

Package Thermal Resistance

θ_{JA} (TSOT-5)215°C/W
 θ_{JA} (SOIC-8) 150°C/W
 θ_{JA} (MSOP-8) 200°C/W
 θ_{JA} (SOIC-14) 90°C/W
 θ_{JA} (TSSOP-14)100°C/W
 Package thermal resistance (θ_{JA}), JEDEC standard, multi-layer test boards, still air.

ESD Protection

XR8051, XR8052, XR8054 (HBM)1kV
 ESD Rating for HBM (Human Body Model).

The product (or products) mentioned in this data sheet are no longer being manufactured and may not be ordered (OBS)

Electrical Characteristics at +3V

$T_A = 25^\circ\text{C}$, $V_S = +3\text{V}$, $R_f = 1.5\text{k}\Omega$, $R_L = 2\text{k}\Omega$ to $V_S/2$; $G = 2$; unless otherwise noted.

| Symbol | Parameter | Conditions | Min | Typ | Max | Units |
|---------------------------|------------------------------|--|-----|--------------|-----|------------------------------|
| Frequency Domain Response | | | | | | |
| GBWP | -3dB Gain Bandwidth Product | $G = +11$, $V_{OUT} = 0.2V_{pp}$ | | 90 | | MHz |
| UGBW | Unity Gain Bandwidth | $V_{OUT} = 0.2V_{pp}$, $R_f = 0$ | | 245 | | MHz |
| BW _{SS} | -3dB Bandwidth | $V_{OUT} = 0.2V_{pp}$ | | 85 | | MHz |
| $f_{0.1dB}$ | 0.1dB Gain Flatness | $V_{OUT} = 0.2V_{pp}$, $R_L = 150\Omega$ | | 16 | | MHz |
| BW _{LS} | Large Signal Bandwidth | $V_{OUT} = 2V_{pp}$ | | 40 | | MHz |
| DG | Differential Gain | DC-coupled Output | | 0.03 | | % |
| | | AC-coupled Output | | 0.04 | | % |
| DP | Differential Phase | DC-coupled Output | | 0.03 | | ° |
| | | AC-coupled Output | | 0.06 | | ° |
| Time Domain | | | | | | |
| t_R , t_F | Rise and Fall Time | $V_{OUT} = 0.2\text{V}$ step; (10% to 90%) | | 5 | | ns |
| t_S | Settling Time to 0.1% | $V_{OUT} = 1\text{V}$ step | | 25 | | ns |
| OS | Overshoot | $V_{OUT} = 0.2\text{V}$ step | | 8 | | % |
| SR | Slew Rate | $G = -1$, 2V step | | 165 | | V/ μs |
| Distortion/Noise Response | | | | | | |
| THD | Total Harmonic Distortion | 1MHz, $V_{OUT} = 1V_{pp}$ | | 75 | | dBc |
| e_n | Input Voltage Noise | >50kHz | | 16 | | nV/ $\sqrt{\text{Hz}}$ |
| X _{TALK} | Crosstalk | $f = 5\text{MHz}$ | | 58 | | dB |
| DC Performance | | | | | | |
| V_{IO} | Input Offset Voltage | | | 0.5 | | mV |
| d_{VIO} | Average Drift | | | 5 | | $\mu\text{V}/^\circ\text{C}$ |
| I_B | Input Bias Current | | | 1.4 | | μA |
| dI_B | Average Drift | | | 2 | | nA/ $^\circ\text{C}$ |
| I_{OS} | Input Offset Current | | | 0.05 | | μA |
| PSRR | Power Supply Rejection Ratio | DC | | 102 | | dB |
| A_{OL} | Open Loop Gain | $R_L = 2\text{k}\Omega$ | | 92 | | dB |
| I_S | Supply Current | per channel | | 2.6 | | mA |
| Input Characteristics | | | | | | |
| C_{IN} | Input Capacitance | | | 0.5 | | pF |
| CMIR | Common Mode Input Range | | | -0.3 to 2.1 | | V |
| CMRR | Common Mode Rejection Ratio | DC, $V_{CM} = 0$ to 1.5V | | 100 | | dB |
| Output Characteristics | | | | | | |
| V_{OUT} | Output Swing | $R_L = 150\Omega$ | | 0.3 to 2.75 | | V |
| | | $R_L = 2\text{k}\Omega$ | | 0.02 to 2.96 | | V |
| I_{OUT} | Output Current | | | ± 100 | | mA |
| I_{SC} | Short Circuit Current | $V_{OUT} = V_S / 2$ | | ± 125 | | V |
| V_S | Power Supply Operating Range | | | 2.7 to 12.6 | | V |

Electrical Characteristics at +5V

$T_A = 25^\circ\text{C}$, $V_S = +5\text{V}$, $R_f = 1.5\text{k}\Omega$, $R_L = 2\text{k}\Omega$ to $V_S/2$; $G = 2$; unless otherwise noted.

| Symbol | Parameter | Conditions | Min | Typ | Max | Units |
|---------------------------|------------------------------|---|-------|--------------|------|------------------------------|
| Frequency Domain Response | | | | | | |
| GBWP | -3dB Gain Bandwidth Product | $G = +11$, $V_{OUT} = 0.2V_{pp}$ | | 95 | | MHz |
| UGBW | Unity Gain Bandwidth | $V_{OUT} = 0.2V_{pp}$, $R_f = 0$ | | 250 | | MHz |
| BW _{SS} | -3dB Bandwidth | $V_{OUT} = 0.2V_{pp}$ | | 85 | | MHz |
| $f_{0.1dB}$ | 0.1dB Gain Flatness | $V_{OUT} = 0.2V_{pp}$, $R_L = 150\Omega$ | | 35 | | MHz |
| BW _{LS} | Large Signal Bandwidth | $V_{OUT} = 2V_{pp}$ | | 45 | | MHz |
| DG | Differential Gain | DC-coupled Output | | 0.03 | | % |
| | | AC-coupled Output | | 0.04 | | % |
| DP | Differential Phase | DC-coupled Output | | 0.03 | | ° |
| | | AC-coupled Output | | 0.06 | | ° |
| Time Domain | | | | | | |
| t_R , t_F | Rise and Fall Time | $V_{OUT} = 0.2\text{V}$ step | | 5 | | ns |
| t_S | Settling Time to 0.1% | $V_{OUT} = 2\text{V}$ step | | 25 | | ns |
| OS | Overshoot | $V_{OUT} = 0.2\text{V}$ step | | 5 | | % |
| SR | Slew Rate | $G = -1$, 4V step | | 185 | | V/ μs |
| Distortion/Noise Response | | | | | | |
| THD | Total Harmonic Distortion | 1MHz, $V_{OUT} = 2V_{pp}$ | | -75 | | dBc |
| e_n | Input Voltage Noise | >50kHz | | 16 | | nV/ $\sqrt{\text{Hz}}$ |
| X _{TALK} | Crosstalk | $f = 5\text{MHz}$ | | 58 | | dB |
| DC Performance | | | | | | |
| V_{IO} | Input Offset Voltage | | -7 | 0.5 | 7 | mV |
| d_{VIO} | Average Drift | | | 5 | | $\mu\text{V}/^\circ\text{C}$ |
| I_B | Input Bias Current | | -2 | 1.4 | 2 | μA |
| dI_B | Average Drift | | | 2 | | nA/ $^\circ\text{C}$ |
| I_{OS} | Input Offset Current | | -0.75 | 0.05 | 0.75 | μA |
| PSRR | Power Supply Rejection Ratio | DC | 80 | 102 | | dB |
| A_{OL} | Open Loop Gain | $R_L = 2\text{k}\Omega$ | 80 | 92 | | dB |
| I_S | Supply Current | per channel | | 2.6 | 4 | mA |
| Input Characteristics | | | | | | |
| C_{IN} | Input Capacitance | | | 0.5 | | pF |
| CMIR | Common Mode Input Range | | | -0.3 to 4.1 | | V |
| CMRR | Common Mode Rejection Ratio | DC, $V_{CM} = 0$ to 3.5V | 75 | 100 | | dB |
| Output Characteristics | | | | | | |
| V_{OUT} | Output Swing | $R_L = 150\Omega$ | 0.35 | 0.1 to 4.9 | 4.65 | V |
| | | $R_L = 2\text{k}\Omega$ | | 0.03 to 4.95 | | V |
| I_{OUT} | Output Current | | | ± 100 | | mA |
| I_{SC} | Short Circuit Current | $V_{OUT} = V_S / 2$ | | ± 125 | | V |
| V_S | Power Supply Operating Range | | | 2.7 to 12.6 | | V |

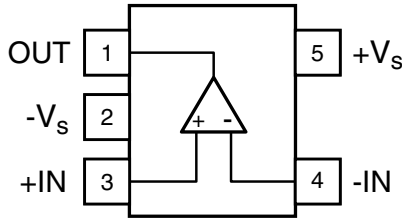
Electrical Characteristics at $\pm 5V$

$T_A = 25^\circ\text{C}$, $V_S = \pm 5V$, $R_f = 1.5k\Omega$, $R_L = 2k\Omega$ to GND; $G = 2$; unless otherwise noted.

| Symbol | Parameter | Conditions | Min | Typ | Max | Units |
|---------------------------|------------------------------|---|-----|---------------|-----|------------------------------|
| Frequency Domain Response | | | | | | |
| GBWP | -3dB Gain Bandwidth Product | $G = +11$, $V_{OUT} = 0.2V_{pp}$ | | 90 | | MHz |
| UGBW | Unity Gain Bandwidth | $V_{OUT} = 0.2V_{pp}$, $R_F = 0$ | | 260 | | MHz |
| BW _{SS} | -3dB Bandwidth | $V_{OUT} = 0.2V_{pp}$ | | 85 | | MHz |
| $f_{0.1dB}$ | 0.1dB Gain Flatness | $V_{OUT} = 0.2V_{pp}$, $R_L = 150\Omega$ | | 22 | | MHz |
| BW _{LS} | Large Signal Bandwidth | $V_{OUT} = 2V_{pp}$ | | 50 | | MHz |
| DG | Differential Gain | DC-coupled Output | | 0.03 | | % |
| | | AC-coupled Output | | 0.04 | | % |
| DP | Differential Phase | DC-coupled Output | | 0.03 | | ° |
| | | AC-coupled Output | | 0.06 | | ° |
| Time Domain | | | | | | |
| t_R , t_F | Rise and Fall Time | $V_{OUT} = 0.2V$ step | | 5 | | ns |
| t_S | Settling Time to 0.1% | $V_{OUT} = 2V$ step, $R_L = 100\Omega$ | | 25 | | ns |
| OS | Overshoot | $V_{OUT} = 0.2V$ step | | 5 | | % |
| SR | Slew Rate | $G = -1$, $5V$ step | | 190 | | V/ μ s |
| Distortion/Noise Response | | | | | | |
| THD | Total Harmonic Distortion | 1MHz, $V_{OUT} = 2V_{pp}$ | | 76 | | dBc |
| e_n | Input Voltage Noise | >50kHz | | 16 | | nV/ $\sqrt{\text{Hz}}$ |
| X _{TALK} | Crosstalk | $f = 5\text{MHz}$ | | 58 | | dB |
| DC Performance | | | | | | |
| V_{IO} | Input Offset Voltage | | | 0.5 | | mV |
| d_{VIO} | Average Drift | | | 5 | | $\mu\text{V}/^\circ\text{C}$ |
| I_B | Input Bias Current | | | 1.3 | | μA |
| dI_B | Average Drift | | | 2 | | $\text{nA}/^\circ\text{C}$ |
| I_{OS} | Input Offset Current | | | 0.04 | | μA |
| PSRR | Power Supply Rejection Ratio | DC | | 102 | | dB |
| A_{OL} | Open Loop Gain | $R_L = 2k\Omega$ | | 92 | | dB |
| I_S | Supply Current | per channel | | 2.6 | | mA |
| Input Characteristics | | | | | | |
| C_{IN} | Input Capacitance | | | 0.5 | | pF |
| CMIR | Common Mode Input Range | | | -5.3 to 4.1 | | V |
| CMRR | Common Mode Rejection Ratio | DC, $V_{CM} = -5$ to $3.5V$ | | 100 | | dB |
| Output Characteristics | | | | | | |
| V_{OUT} | Output Swing | $R_L = 150\Omega$ | | -4.8 to 4.8 | | V |
| | | $R_L = 2k\Omega$ | | -4.95 to 4.93 | | V |
| I_{OUT} | Output Current | | | ± 100 | | mA |
| I_{SC} | Short Circuit Current | $V_{OUT} = V_S / 2$ | | ± 125 | | V |
| V_S | Power Supply Operating Range | | | 2.7 to 12.6 | | V |

XR8051 Pin Configurations

TSOT-5

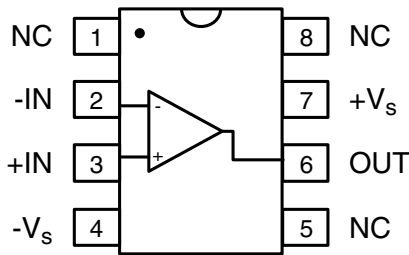


XR8051 Pin Assignments

TSOT-5

| Pin No. | Pin Name | Description |
|---------|-----------------|-----------------|
| 1 | OUT | Output |
| 2 | -V _S | Negative supply |
| 3 | +IN | Positive input |
| 4 | -IN | Negative input |
| 5 | +V _S | Positive supply |

SOIC-8

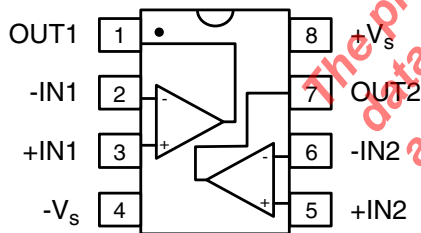


SOIC-8

| Pin No. | Pin Name | Description |
|---------|-----------------|-----------------|
| 1 | NC | No Connect |
| 2 | -IN | Negative input |
| 3 | +IN | Positive input |
| 4 | -V _S | Negative supply |
| 5 | NC | No Connect |
| 6 | OUT | Output |
| 7 | +V _S | Positive supply |
| 8 | NC | No Connect |

XR8052 Pin Configuration

SOIC-8 / MSOP-8



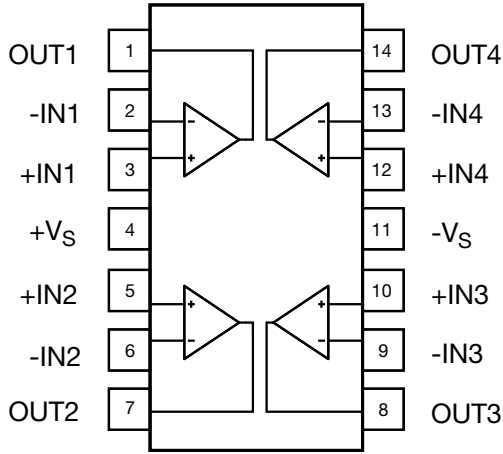
XR8052 Pin Assignments

SOIC-8 / MSOP-8

| Pin No. | Pin Name | Description |
|---------|-----------------|---------------------------|
| 1 | OUT1 | Output, channel 1 |
| 2 | -IN1 | Negative input, channel 1 |
| 3 | +IN1 | Positive input, channel 1 |
| 4 | -V _S | Negative supply |
| 5 | +IN2 | Positive input, channel 2 |
| 6 | -IN2 | Negative input, channel 2 |
| 7 | OUT2 | Output, channel 2 |
| 8 | +V _S | Positive supply |

XR8054 Pin Configuration

SOIC-14 / TSSOP-14



XR8054 Pin Assignments

SOIC-14 / TSSOP-14

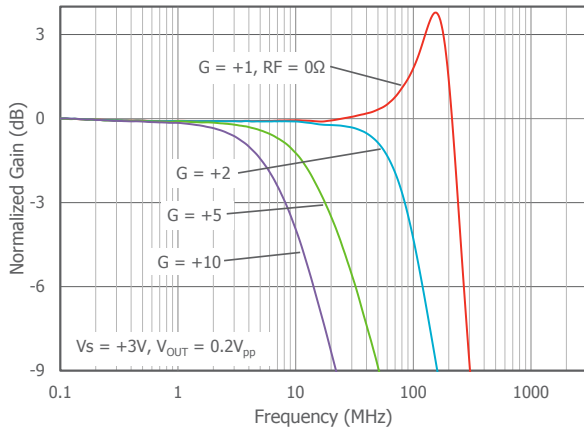
| Pin No. | Pin Name | Description |
|---------|----------|---------------------------|
| 1 | OUT1 | Output, channel 1 |
| 2 | -IN1 | Negative input, channel 1 |
| 3 | +IN1 | Positive input, channel 1 |
| 4 | +Vs | Positive supply |
| 5 | +IN2 | Positive input, channel 2 |
| 6 | -IN2 | Negative input, channel 2 |
| 7 | OUT2 | Output, channel 2 |
| 8 | OUT3 | Output, channel 3 |
| 9 | -IN3 | Negative input, channel 3 |
| 10 | +IN3 | Positive input, channel 3 |
| 11 | -Vs | Negative supply |
| 12 | +IN4 | Positive input, channel 4 |
| 13 | -IN4 | Negative input, channel 4 |
| 14 | OUT4 | Output, channel 4 |

The product (or products) mentioned in this data sheet are no longer being manufactured and may not be ordered (OBS)

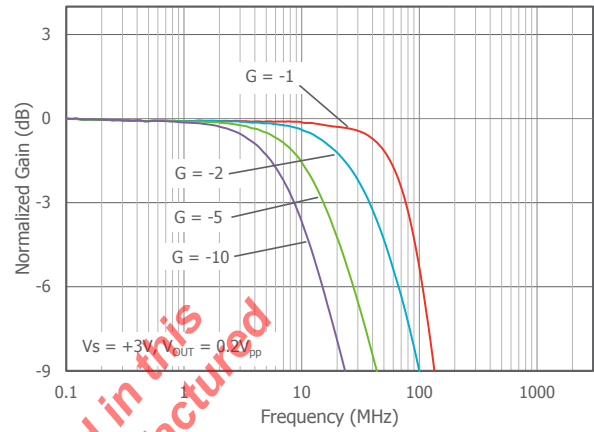
Typical Performance Characteristics

$T_A = 25^\circ\text{C}$, $V_S = +3\text{V}$, $R_L = 2\text{k}\Omega$ to $V_S/2$, $G = +2$, $R_F = 1.5\text{k}\Omega$; unless otherwise noted.

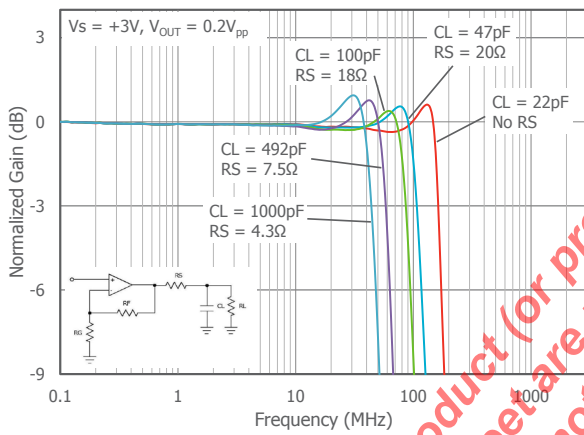
Non-Inverting Freq. Resp.



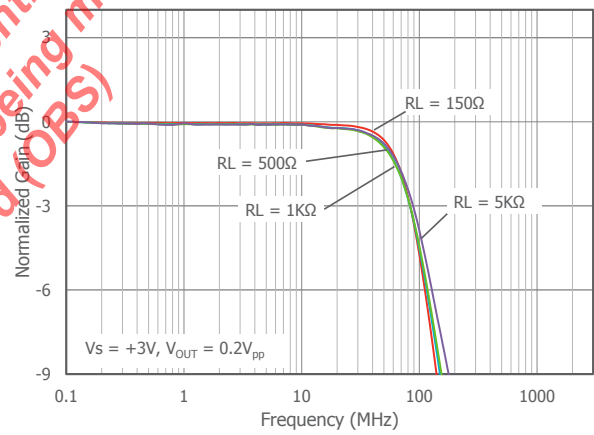
Inverting Freq. Resp.



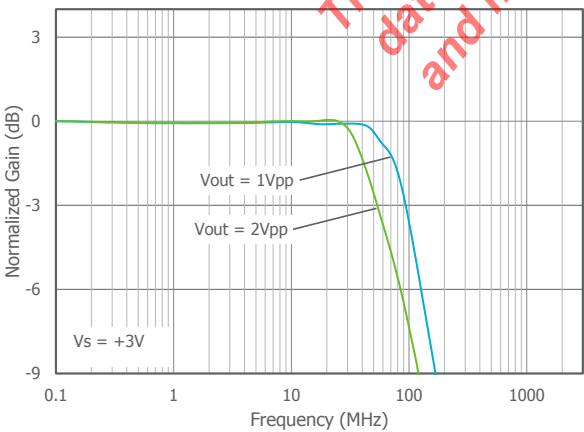
Freq. Resp. vs C_L



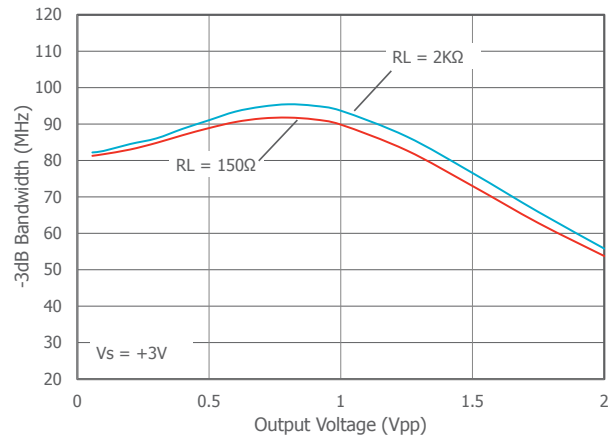
Freq. Resp. vs R_L



Large Signal Freq. Resp.



-3dB BW vs Output Voltage

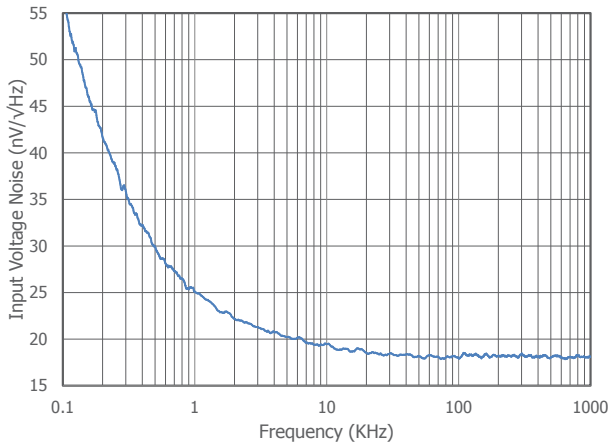


The product (or products) mentioned in this data sheet are no longer being manufactured and may not be ordered (OBS)

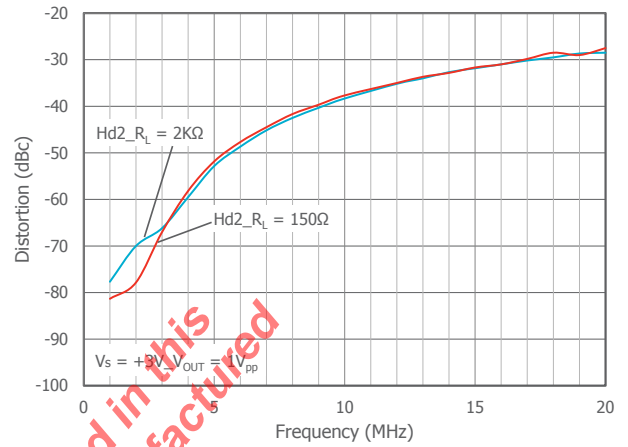
Typical Performance Characteristics

$T_A = 25^\circ\text{C}$, $V_S = +3\text{V}$, $R_L = 2\text{k}\Omega$ to $V_S/2$, $G = +2$, $R_F = 1.5\text{k}\Omega$; unless otherwise noted.

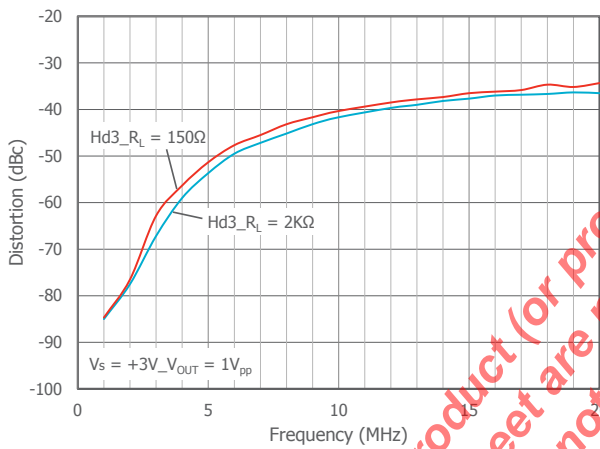
Input Voltage Noise vs Freq.



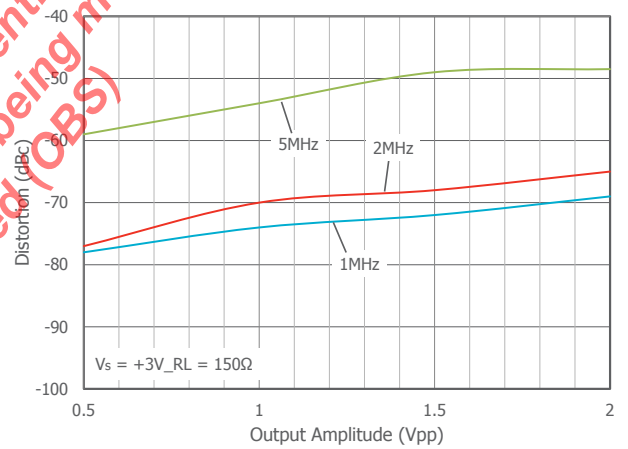
2nd Harmonic Distortion vs R_L over Freq.



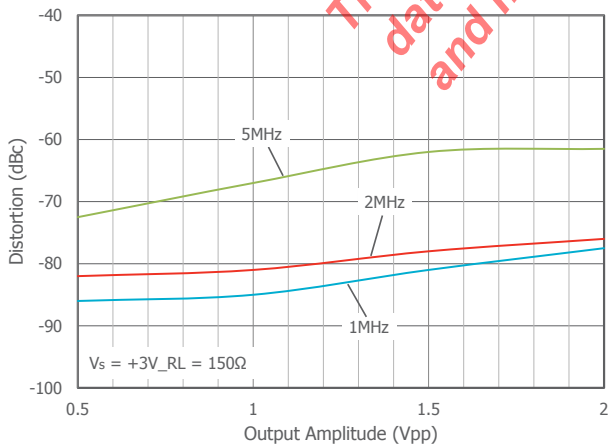
3rd Harmonic Distortion vs R_L over Freq.



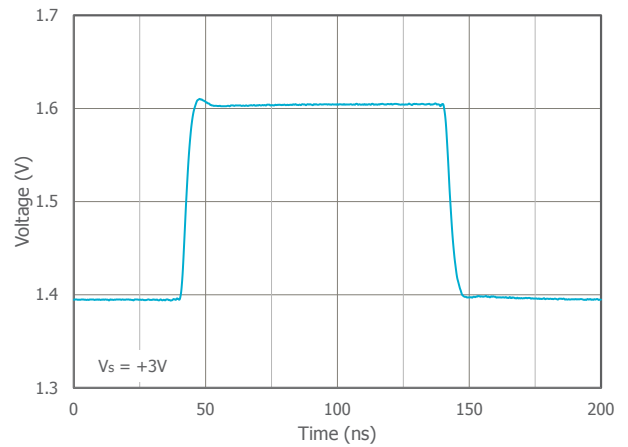
2nd Harmonic Distortion vs V_O over Freq.



3rd Harmonic Distortion vs V_O over Freq.



Non-Inverting Small Signal Pulse Response

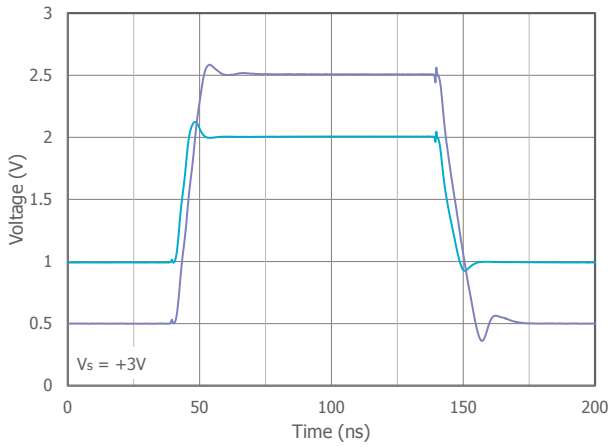


The product (or products) mentioned in this data sheet are no longer being manufactured and may not be ordered (OBS)

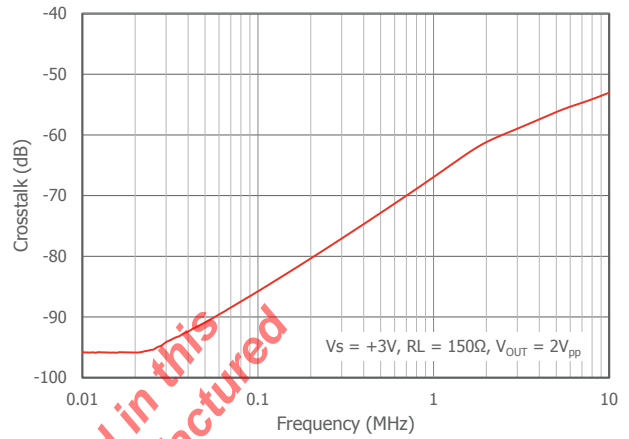
Typical Performance Characteristics

$T_A = 25^\circ\text{C}$, $V_S = +3\text{V}$, $R_L = 2\text{k}\Omega$ to $V_S/2$, $G = +2$, $R_F = 1.5\text{k}\Omega$; unless otherwise noted.

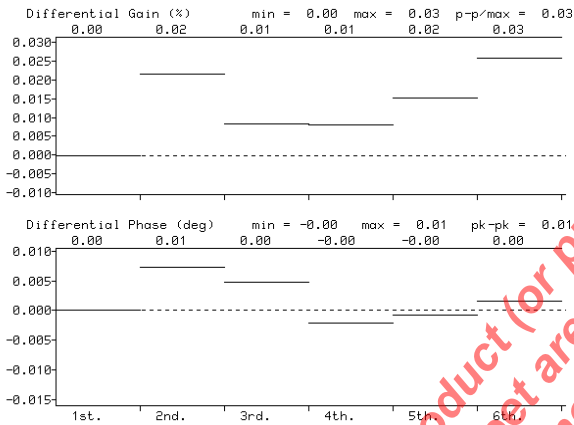
Non-Inverting Large Signal Pulse Response



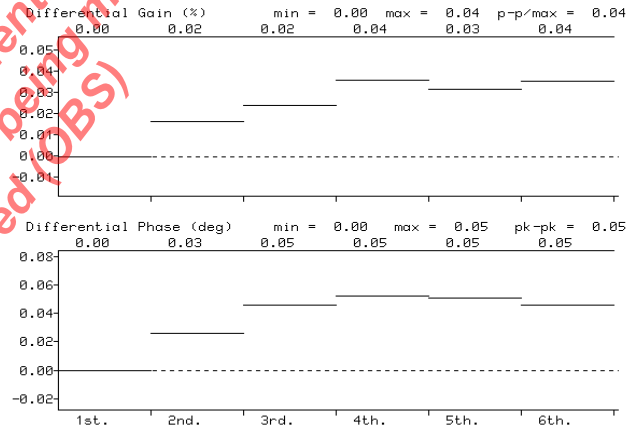
Crosstalk vs Frequency (XR8052)



Differential Gain & Phase_DC Coupled



Differential Gain & Phase_AC Coupled

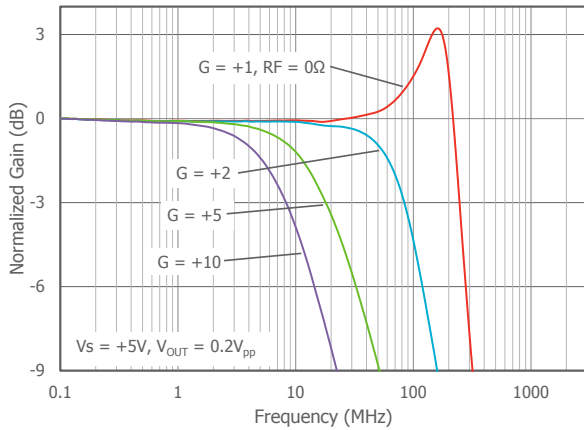


The product (or products) mentioned in this data sheet are no longer being manufactured and may not be ordered (DPS)

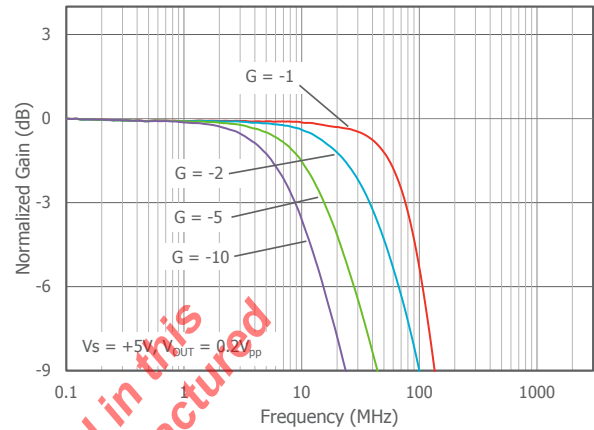
Typical Performance Characteristics

$T_A = 25^\circ\text{C}$, $V_S = +5\text{V}$, $R_L = 2\text{k}\Omega$ to $V_S/2$, $G = +2$, $R_F = 1.5\text{k}\Omega$; unless otherwise noted.

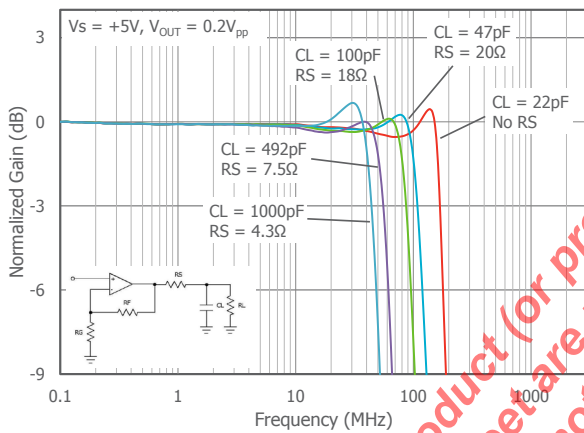
Non-Inverting Freq. Resp.



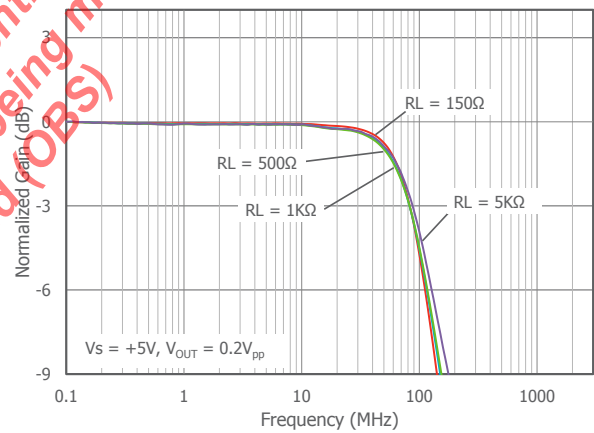
Inverting Freq. Resp.



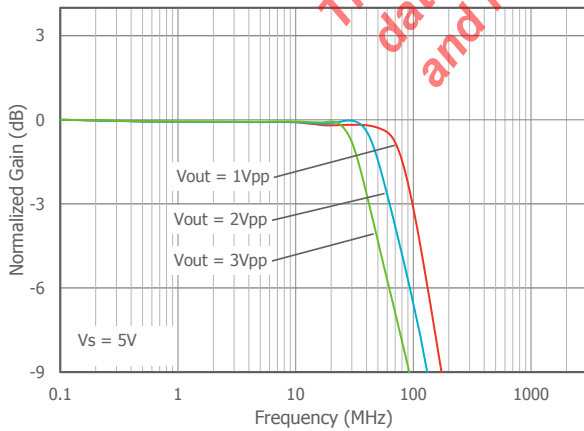
Freq. Resp. vs C_L



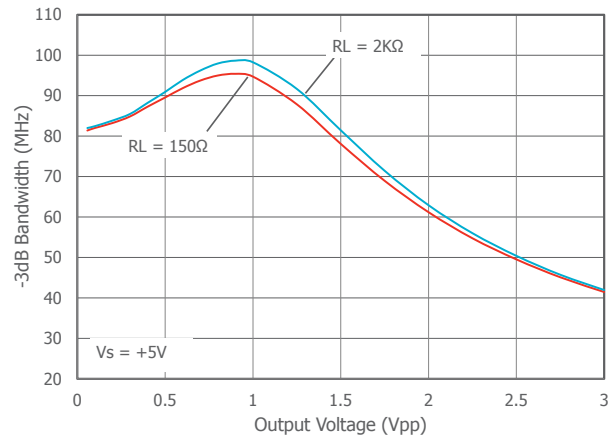
Freq. Resp. vs R_L



Large Signal Freq. Resp.



-3dB BW vs Output Voltage

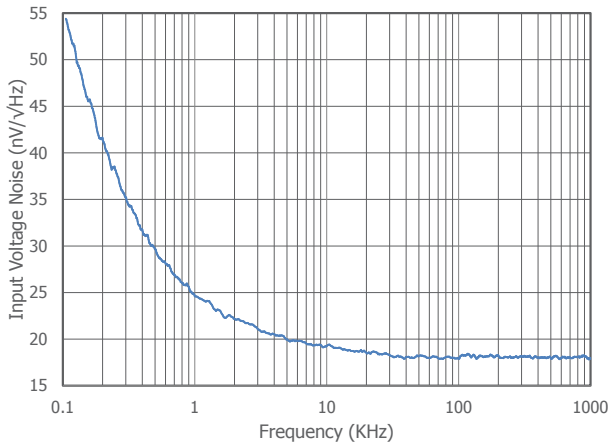


The product (or products) mentioned in this data sheet are no longer being manufactured and may not be ordered (OBS)

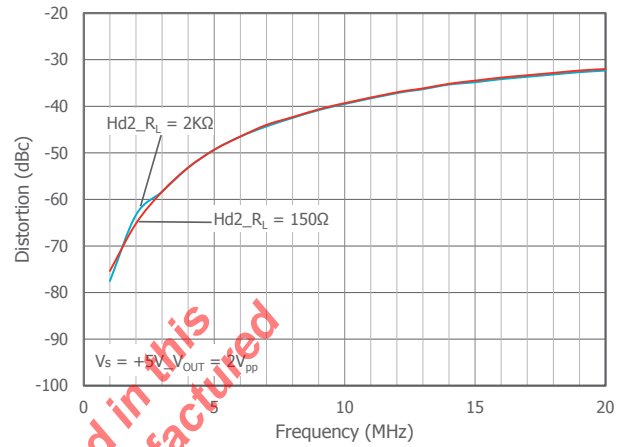
Typical Performance Characteristics

$T_A = 25^\circ\text{C}$, $V_S = +5\text{V}$, $R_L = 2\text{k}\Omega$ to $V_S/2$, $G = +2$, $R_F = 1.5\text{k}\Omega$; unless otherwise noted.

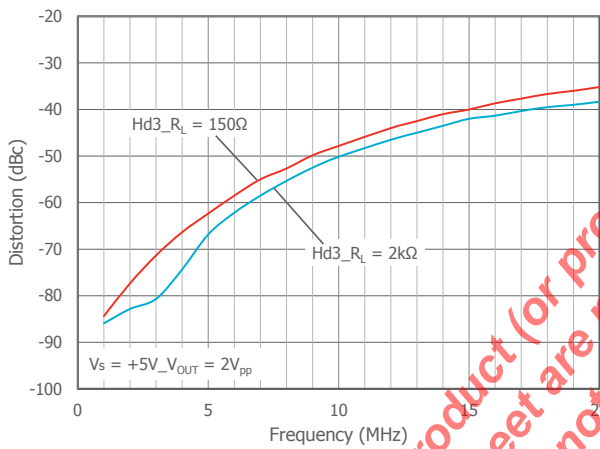
Input Voltage Noise vs Freq.



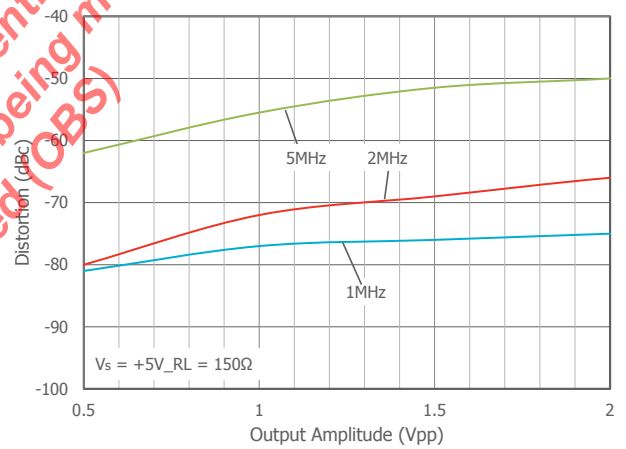
2nd Harmonic Distortion vs R_L over Freq.



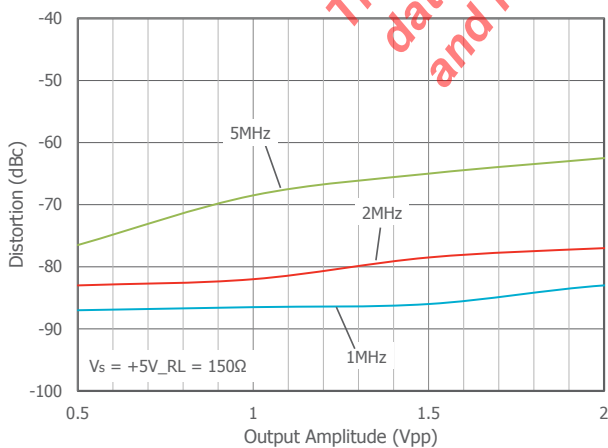
3rd Harmonic Distortion vs R_L over Freq.



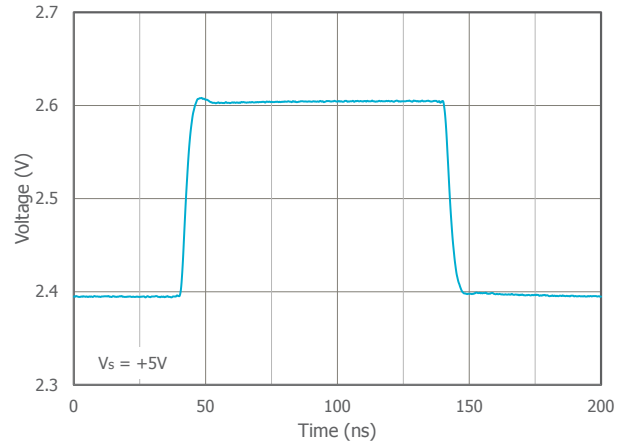
2nd Harmonic Distortion vs V_O over Freq.



3rd Harmonic Distortion vs V_O over Freq.



Non-Inverting Small Signal Pulse Response

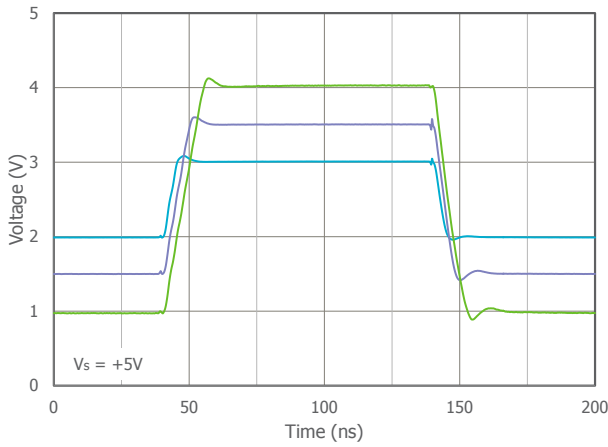


The product (or products) mentioned in this data sheet are no longer being manufactured and may not be ordered (OBS)

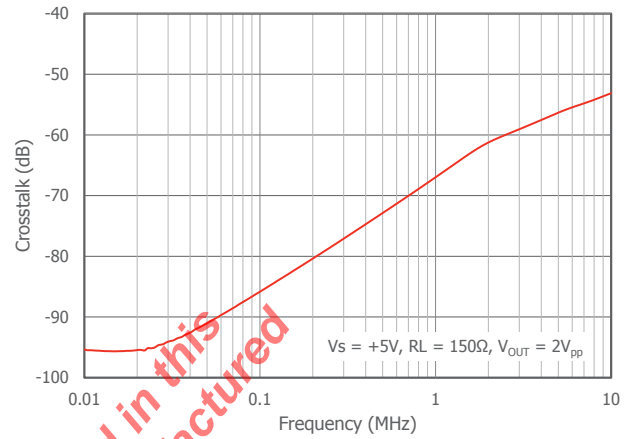
Typical Performance Characteristics

$T_A = 25^\circ\text{C}$, $V_S = +5\text{V}$, $R_L = 2\text{k}\Omega$ to $V_S/2$, $G = +2$, $R_F = 1.5\text{k}\Omega$; unless otherwise noted.

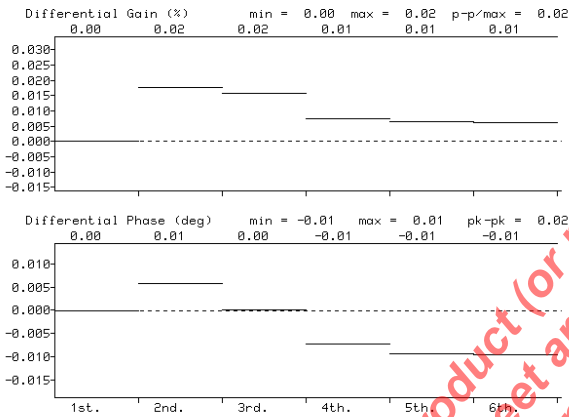
Non-Inverting Large Signal Pulse Response



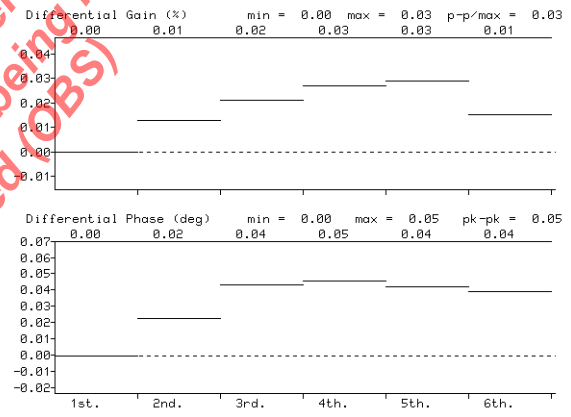
Crosstalk vs Frequency (XR8052)



Differential Gain & Phase_DC Coupled



Differential Gain & Phase_AC Coupled

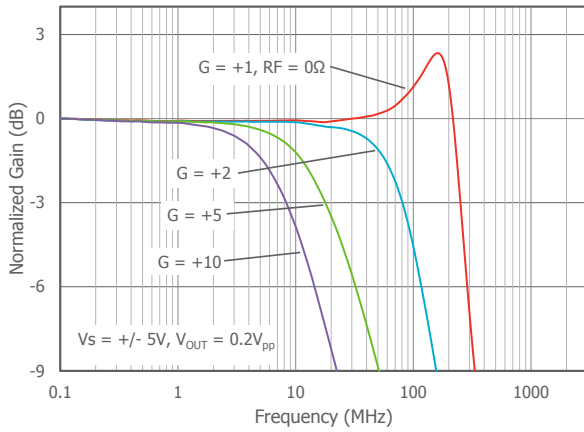


The product (or products) mentioned in this data sheet are no longer being manufactured and may not be ordered (OBS)

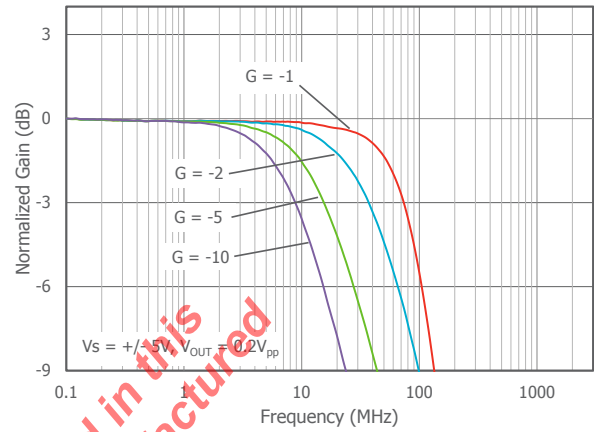
Typical Performance Characteristics

$T_A = 25^\circ\text{C}$, $V_S = \pm 5\text{V}$, $R_L = 2\text{k}\Omega$ to GND, $G = +2$, $R_F = 1.5\text{k}\Omega$; unless otherwise noted.

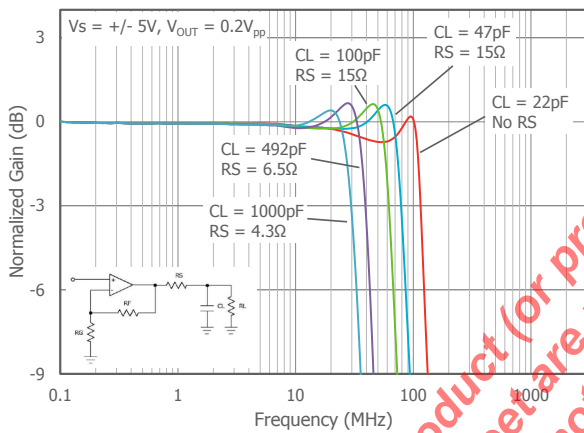
Non-Inverting Freq. Resp.



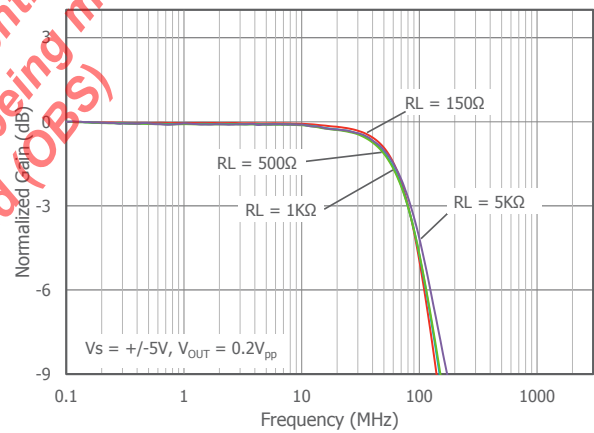
Inverting Freq. Resp.



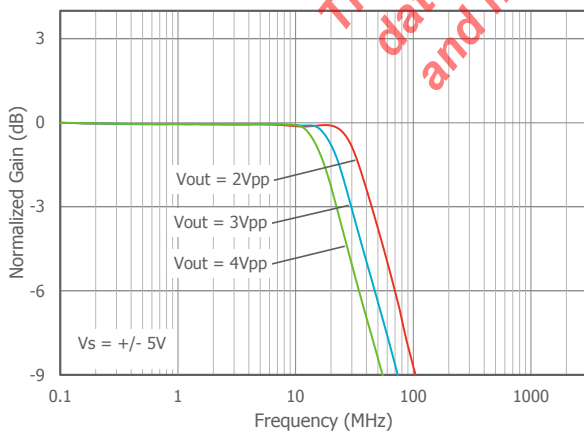
Freq. Resp. vs C_L



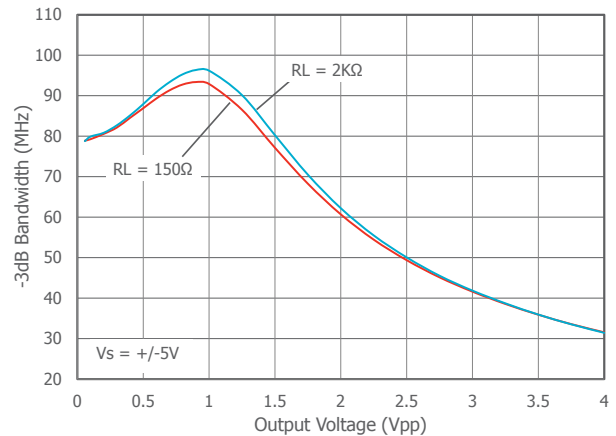
Freq. Resp. vs R_L



Large Signal Freq. Resp.



-3dB BW vs Output Voltage

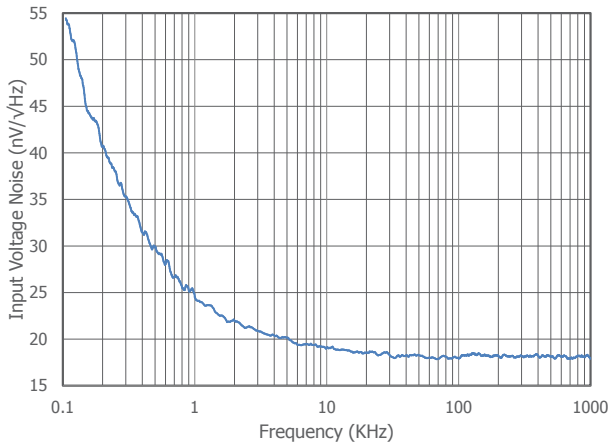


The product (or products) mentioned in this data sheet are no longer being manufactured and may not be ordered (OBS)

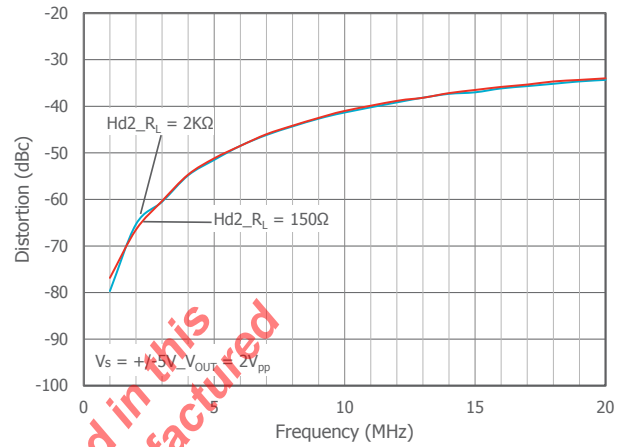
Typical Performance Characteristics

$T_A = 25^\circ\text{C}$, $V_S = \pm 5\text{V}$, $R_L = 2\text{k}\Omega$ to GND, $G = +2$, $R_F = 1.5\text{k}\Omega$; unless otherwise noted.

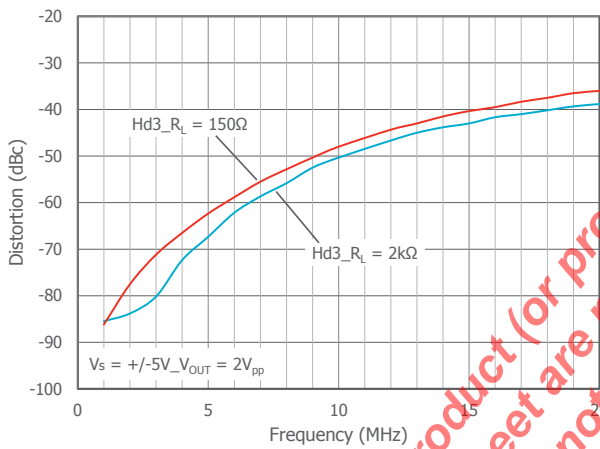
Input Voltage Noise vs Freq.



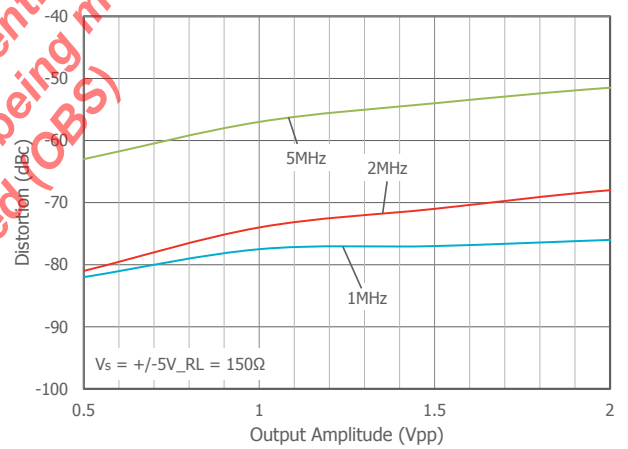
2nd Harmonic Distortion vs R_L over Freq.



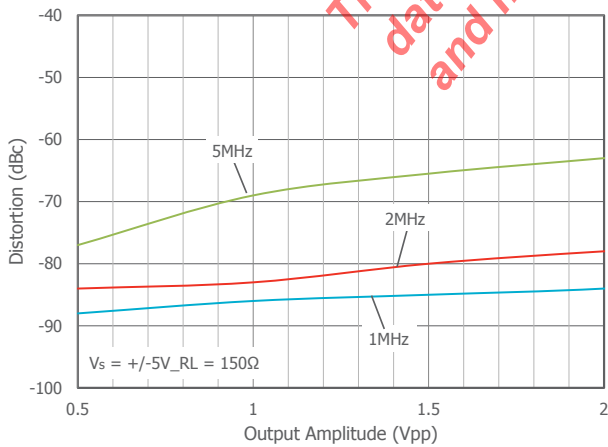
3rd Harmonic Distortion vs R_L over Freq.



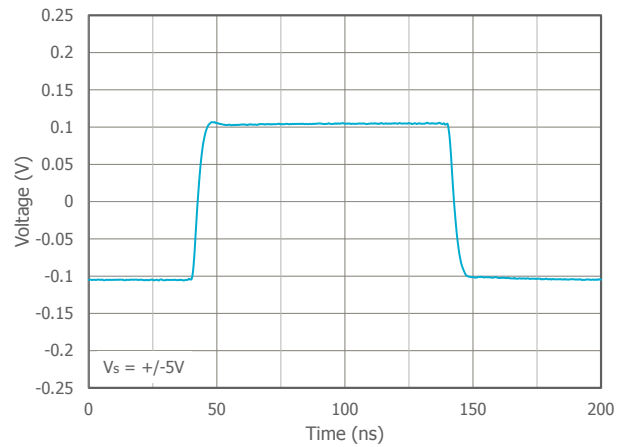
2nd Harmonic Distortion vs V_O over Freq.



3rd Harmonic Distortion vs V_O over Freq.



Non-Inverting Small Signal Pulse Response

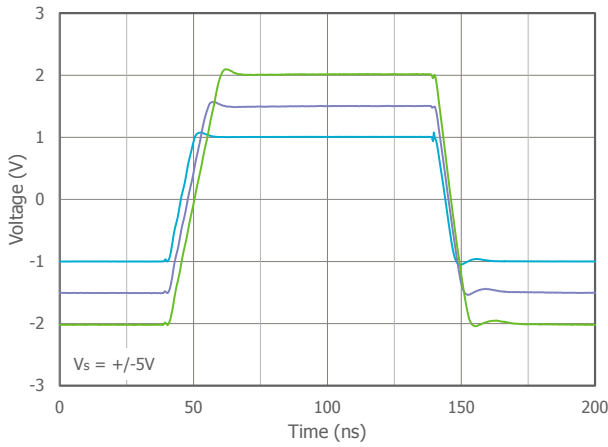


The product (or products) mentioned in this data sheet are no longer being manufactured and may not be ordered (OBS)

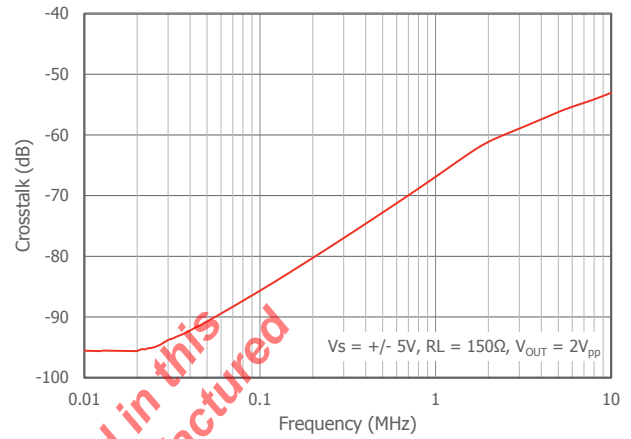
Typical Performance Characteristics

$T_A = 25^\circ\text{C}$, $V_S = \pm 5\text{V}$, $R_L = 2\text{k}\Omega$ to GND, $G = +2$, $R_F = 1.5\text{k}\Omega$; unless otherwise noted.

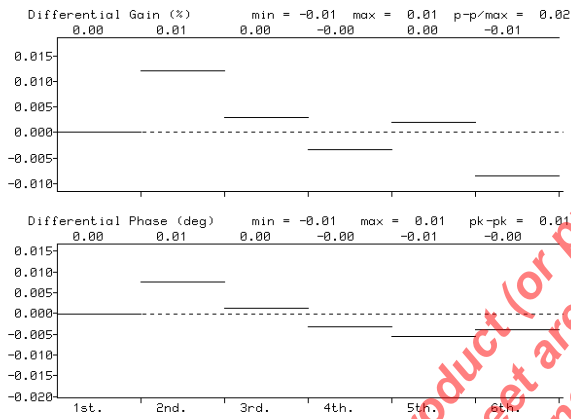
Non-Inverting Large Signal Pulse Response



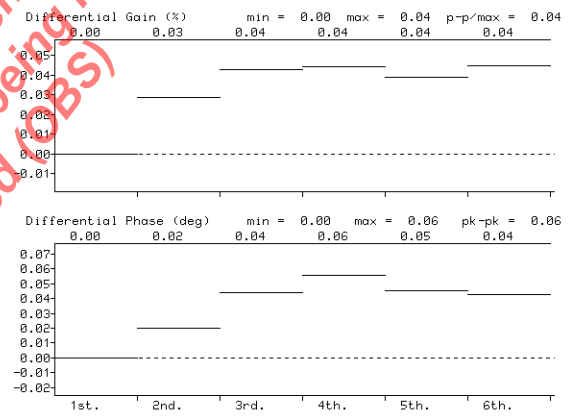
Crosstalk vs Frequency (XR8052)



Differential Gain & Phase_DC Coupled



Differential Gain & Phase_AC Coupled



The product (or products) mentioned in this data sheet are no longer being manufactured and may not be ordered (OBS)

Application Information

General Description

The XR8051, XR8052, and XR8054 are single supply, general purpose, voltage-feedback amplifiers fabricated on a complementary bipolar process using a patent pending topography. They feature a rail-to-rail output stage and is unity gain stable.

The common mode input range extends to 300mV below ground and to 0.9V below V_s . Exceeding these values will not cause phase reversal. However, if the input voltage exceeds the rails by more than 0.5V, the input ESD devices will begin to conduct. The output will stay at the rail during this overdrive condition.

The design is short circuit protected and offers “soft” saturation protection that improves recovery time.

Figures 1, 2, and 3 illustrate typical circuit configurations for non-inverting, inverting, and unity gain topologies for dual supply applications. They show the recommended bypass capacitor values and overall closed loop gain equations. Figure 4 shows the typical non-inverting gain circuit for single supply applications.

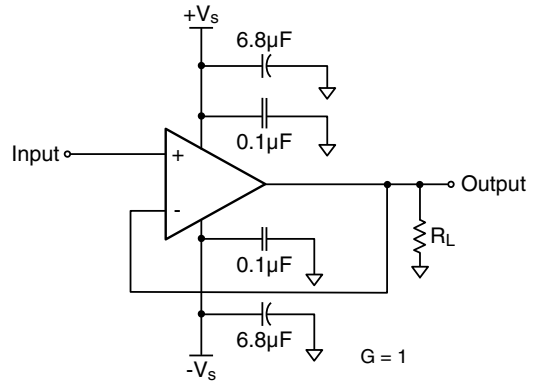


Figure 3: Unity Gain Circuit

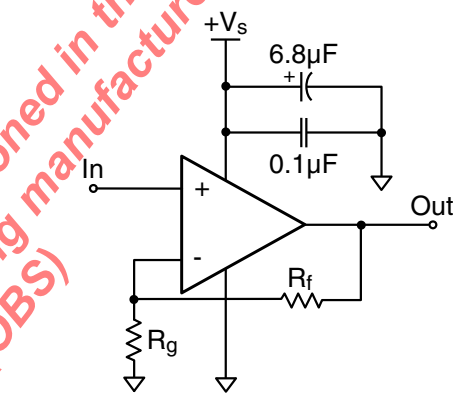


Figure 4: Single Supply Non-Inverting Gain Circuit

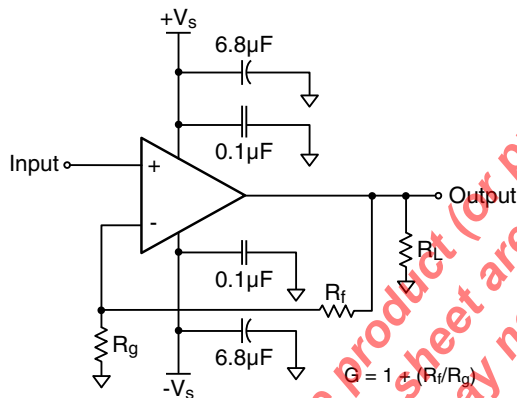


Figure 1: Typical Non-Inverting Gain Circuit

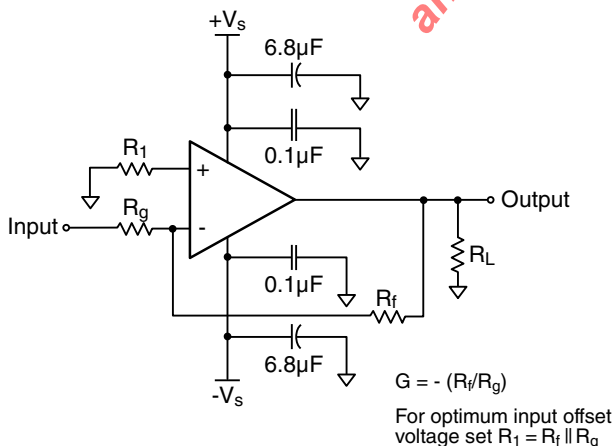


Figure 2: Typical Inverting Gain Circuit

Overdrive Recovery

For an amplifier, an overdrive condition occurs when the output and/or input ranges are exceeded. The recovery time varies based on whether the input or output is overdriven and by how much the ranges are exceeded. The XR8051, XR8052, and XR8054 will typically recover in less than 20ns from an overdrive condition. Figure 5 shows the XR8052 in an overdriven condition.

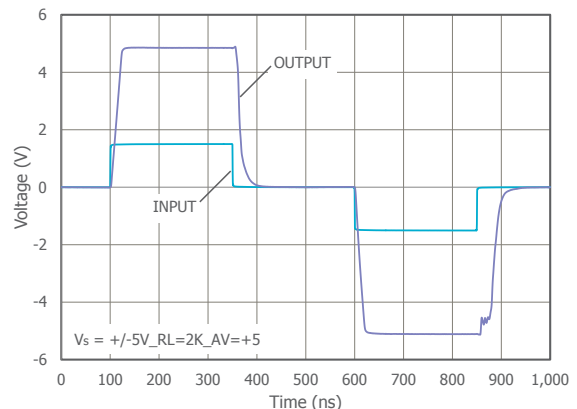


Figure 5: Overdrive Recovery

Power Dissipation

Power dissipation should not be a factor when operating under the stated 2kΩ load condition. However, applications with low impedance, DC coupled loads should be analyzed to ensure that maximum allowed junction temperature is not exceeded. Guidelines listed below can be used to verify that the particular application will not cause the device to operate beyond its intended operating range.

Maximum power levels are set by the absolute maximum junction rating of 170°C. To calculate the junction temperature, the package thermal resistance value θ_{JA} (θ_{JA}) is used along with the total die power dissipation.

$$T_{\text{Junction}} = T_{\text{Ambient}} + (\theta_{JA} \times P_D)$$

Where T_{Ambient} is the temperature of the working environment.

In order to determine P_D , the power dissipated in the load needs to be subtracted from the total power delivered by the supplies.

$$P_D = P_{\text{Supply}} - P_{\text{Load}}$$

Supply power is calculated by the standard power equation.

$$P_{\text{Supply}} = V_{\text{Supply}} \times I_{\text{RMS Supply}}$$

$$V_{\text{Supply}} = V_{S+} - V_{S-}$$

Power delivered to a purely resistive load is:

$$P_{\text{Load}} = ((V_{\text{Load}})_{\text{RMS}})^2 / R_{\text{Load eff}}$$

The effective load resistor ($R_{\text{Load eff}}$) will need to include the effect of the feedback network. For instance,

$R_{\text{Load eff}}$ in Figure 3 would be calculated as:

$$R_L \parallel (R_f + R_g)$$

These measurements are basic and are relatively easy to perform with standard lab equipment. For design purposes however, prior knowledge of actual signal levels and load impedance is needed to determine the dissipated power. Here, P_D can be found from

$$P_D = P_{\text{Quiescent}} + P_{\text{Dynamic}} - P_{\text{Load}}$$

Quiescent power can be derived from the specified I_S values along with known supply voltage, V_{Supply} . Load power can be calculated as above with the desired signal amplitudes using:

$$(V_{\text{Load}})_{\text{RMS}} = V_{\text{peak}} / \sqrt{2}$$

$$(I_{\text{Load}})_{\text{RMS}} = (V_{\text{Load}})_{\text{RMS}} / R_{\text{Load eff}}$$

The dynamic power is focused primarily within the output stage driving the load. This value can be calculated as:

$$P_{\text{Dynamic}} = (V_{S+} - V_{\text{Load}})_{\text{RMS}} \times (I_{\text{Load}})_{\text{RMS}}$$

Assuming the load is referenced in the middle of the power rails or $V_{\text{Supply}}/2$.

The XR8051 is short circuit protected. However, this may not guarantee that the maximum junction temperature (+150°C) is not exceeded under all conditions. Figure 6 shows the maximum safe power dissipation in the package vs. the ambient temperature for the packages available.

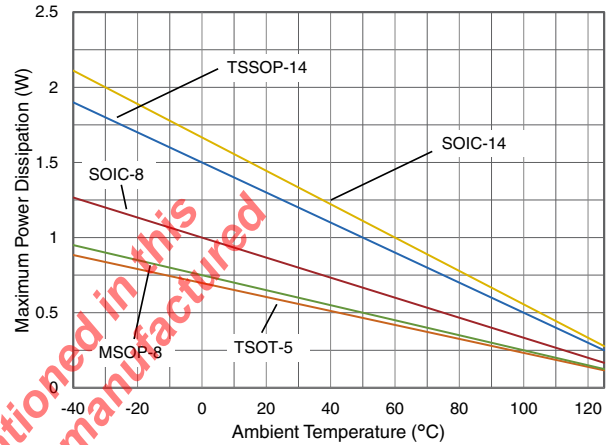


Figure 6. Maximum Power Derating

Driving Capacitive Loads

Increased phase delay at the output due to capacitive loading can cause ringing, peaking in the frequency response, and possible unstable behavior. Use a series resistance, R_S , between the amplifier and the load to help improve stability and settling performance. Refer to Figure 7.

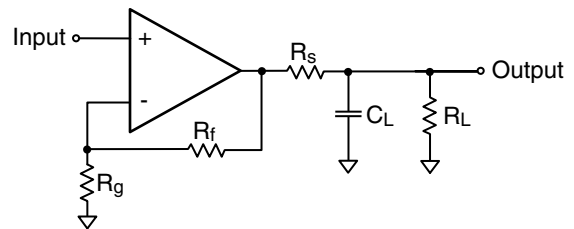


Figure 7. Addition of R_S for Driving Capacitive Loads

Table 1 provides the recommended R_S for various capacitive loads. The recommended R_S values result in approximately <1dB peaking in the frequency response.

| C_L (pF) | R_S (Ω) | -3dB BW (MHz) |
|------------|--------------------|---------------|
| 22pF | 0 | 120 |
| 47pF | 15 | 80 |
| 100pF | 15 | 65 |
| 492pF | 6.5 | 40 |

Table 1: Recommended R_S vs. C_L

For a given load capacitance, adjust R_S to optimize the tradeoff between settling time and bandwidth. In general, reducing R_S will increase bandwidth at the expense of additional overshoot and ringing.

Layout Considerations

General layout and supply bypassing play major roles in high frequency performance. Exar has evaluation boards to use as a guide for high frequency layout and as an aid in device testing and characterization. Follow the steps below as a basis for high frequency layout:

- Include 6.8 μ F and 0.1 μ F ceramic capacitors for power supply decoupling
- Place the 6.8 μ F capacitor within 0.75 inches of the power pin
- Place the 0.1 μ F capacitor within 0.1 inches of the power pin
- Remove the ground plane under and around the part, especially near the input and output pins to reduce parasitic capacitance
- Minimize all trace lengths to reduce series inductances

Refer to the evaluation board layouts below for more information.

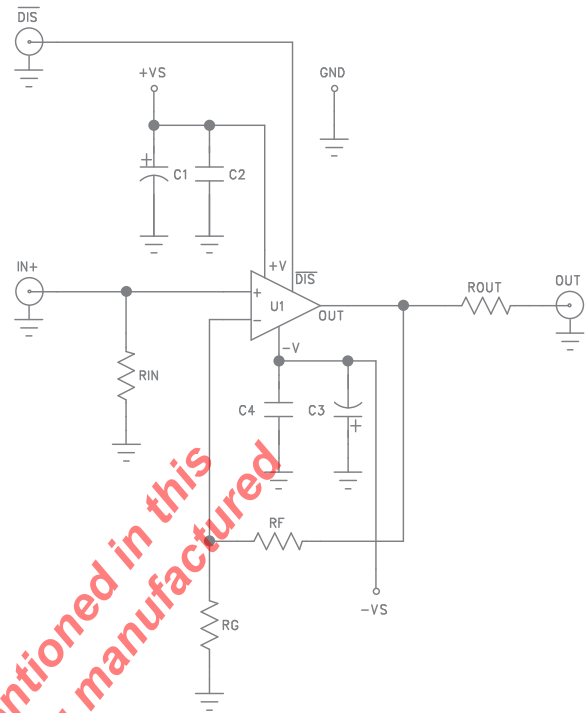


Figure 8. CEB002 & CEB003 Schematic

Evaluation Board Information

The following evaluation boards are available to aid in the testing and layout of these devices:

| Evaluation Board # | Products |
|--------------------|-----------------|
| CEB002 | XR8051 in TSOT |
| CEB003 | XR8051 in SOIC |
| CEB006 | XR8052 in SOIC |
| CEB010 | XR8052 in MSOP |
| CEB018 | XR8054 in TSSOP |

Evaluation Board Schematics

Evaluation board schematics and layouts are shown in Figures 8-14. These evaluation boards are built for dual-supply operation. Follow these steps to use the board in a single-supply application:

1. Short $-V_S$ to ground.
2. Use C3 and C4, if the $-V_S$ pin of the amplifier is not directly connected to the ground plane.

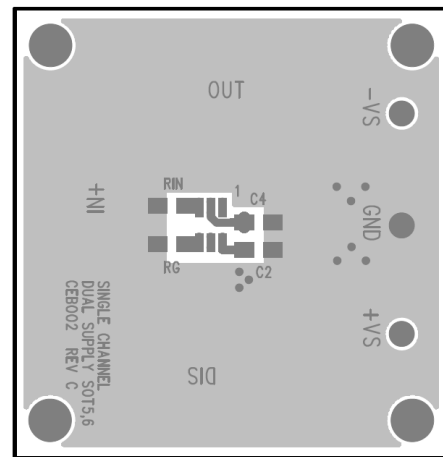


Figure 9. CEB002 Top View

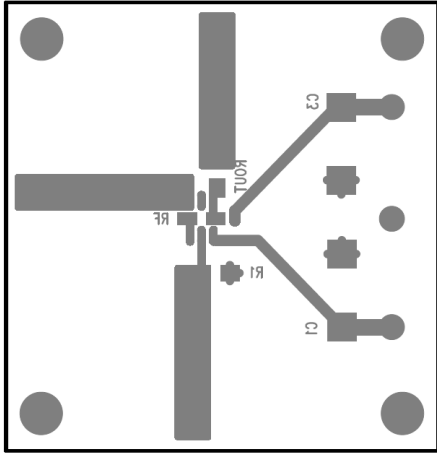


Figure 10. CEB002 Bottom View

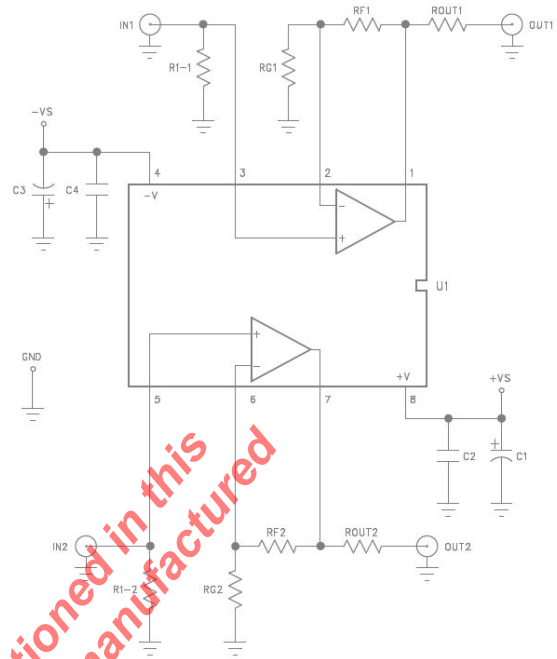


Figure 13. CEB006 & CEB010 Schematic

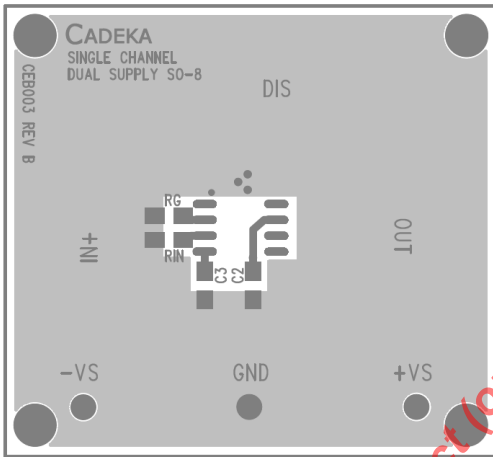


Figure 11. CEB003 Top View

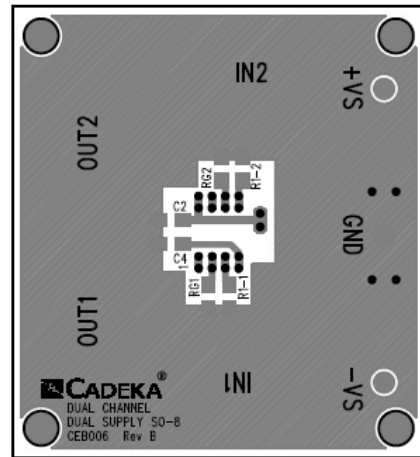


Figure 14. CEB006 Top View

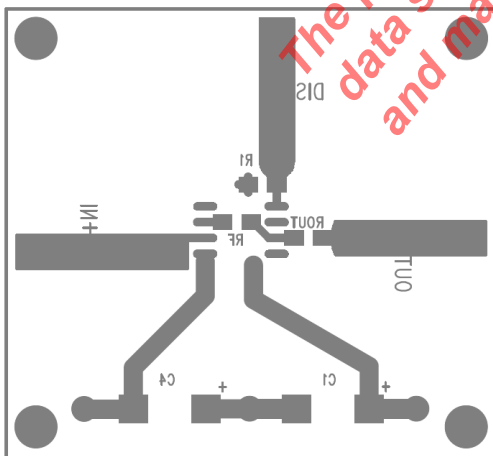


Figure 12. CEB003 Bottom View

The product (or products) mentioned in this data sheet are no longer being manufactured and may not be ordered (OBSOLETE)

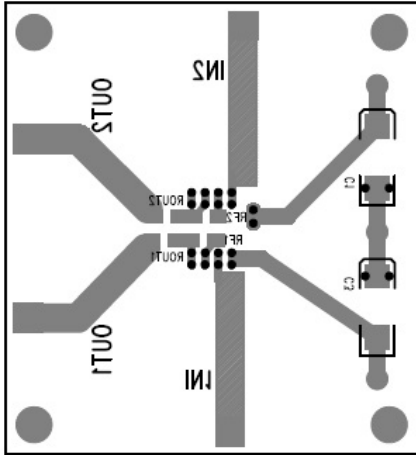


Figure 15. CEB006 Bottom View

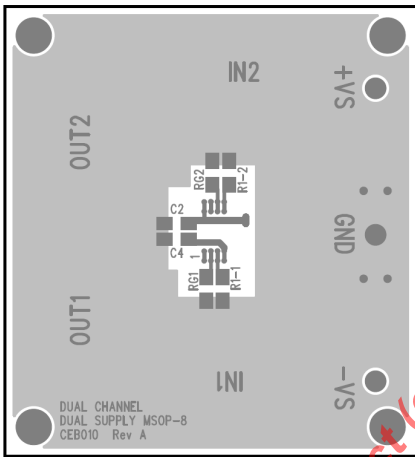


Figure 16. CEB010 Top View

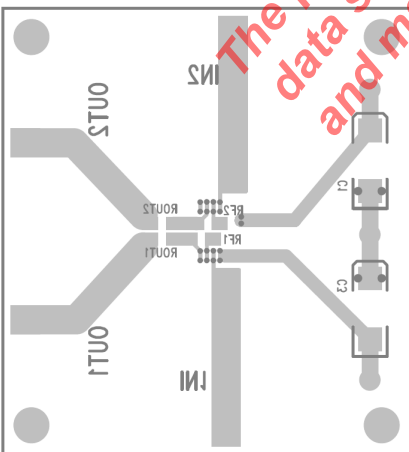


Figure 17. CEB010 Bottom View

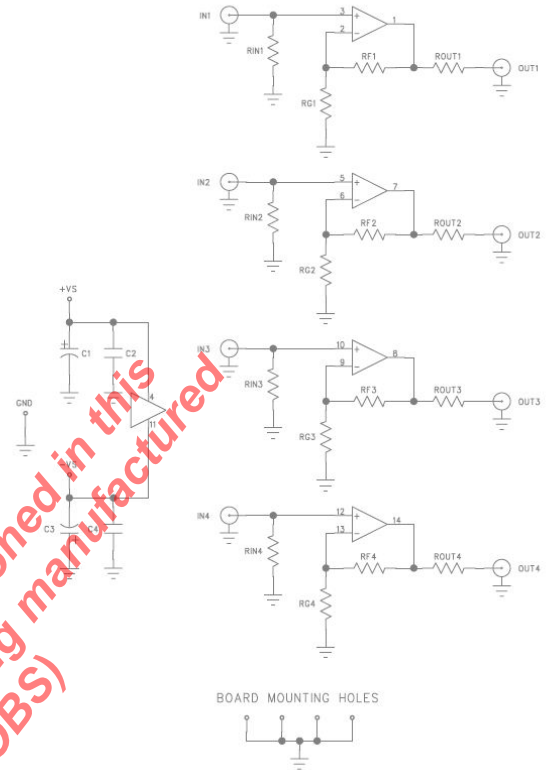


Figure 18. CEB018 Schematic

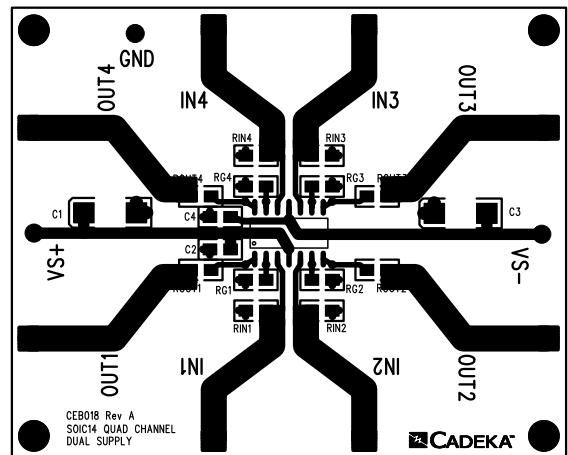


Figure 19. CEB018 Top View

The product (or products) mentioned in this data sheet are no longer being manufactured and may not be ordered (OBS)

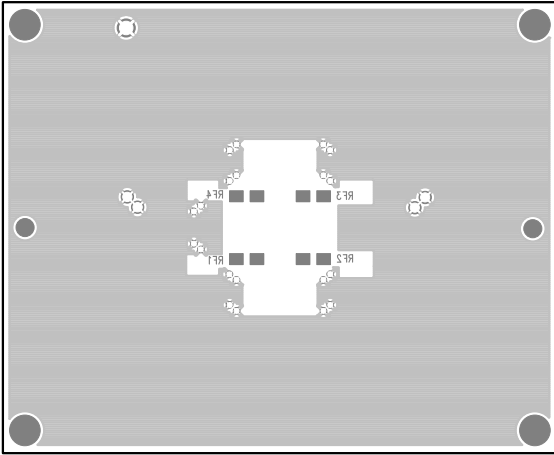
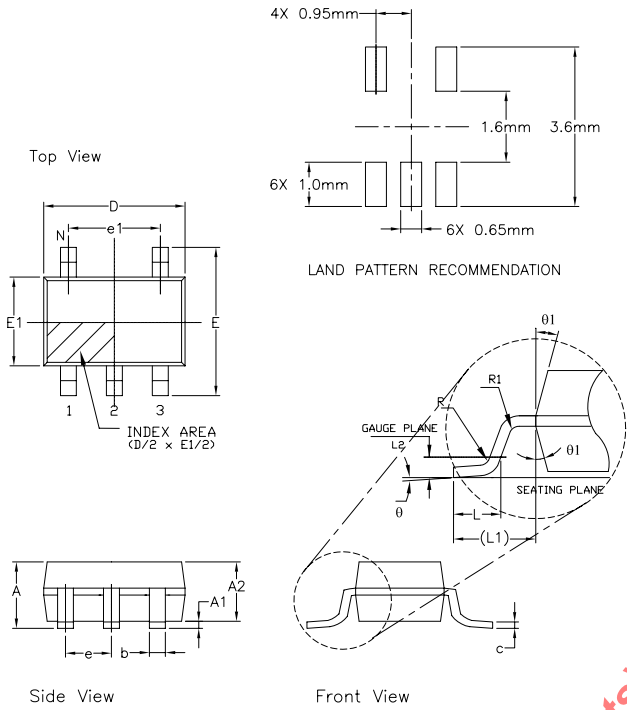


Figure 20. CEB018 Bottom View

The product (or products) mentioned in this data sheet are no longer being manufactured and may not be ordered (OBS)

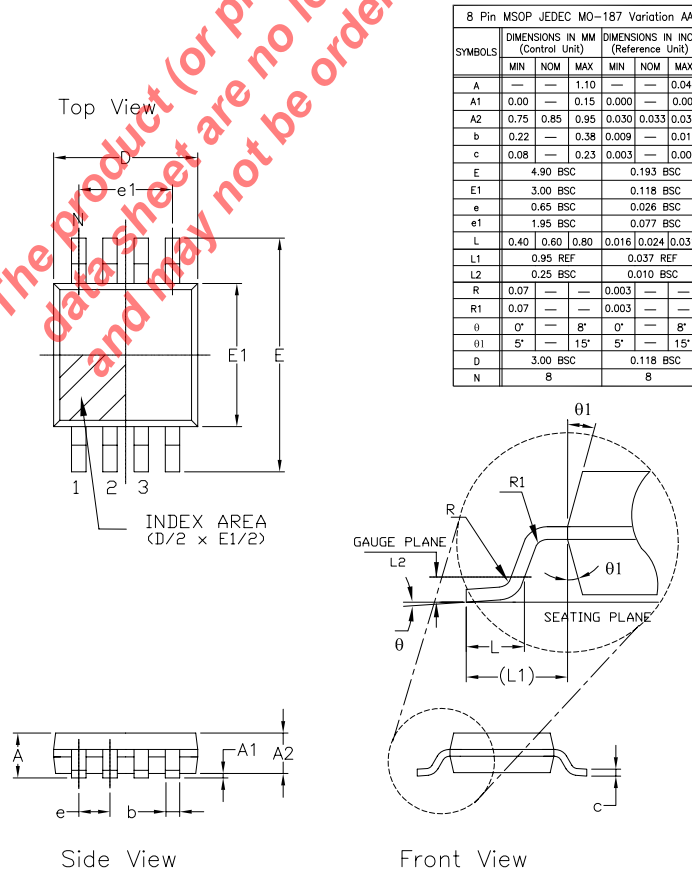
Mechanical Dimensions

TSOT-5 Package



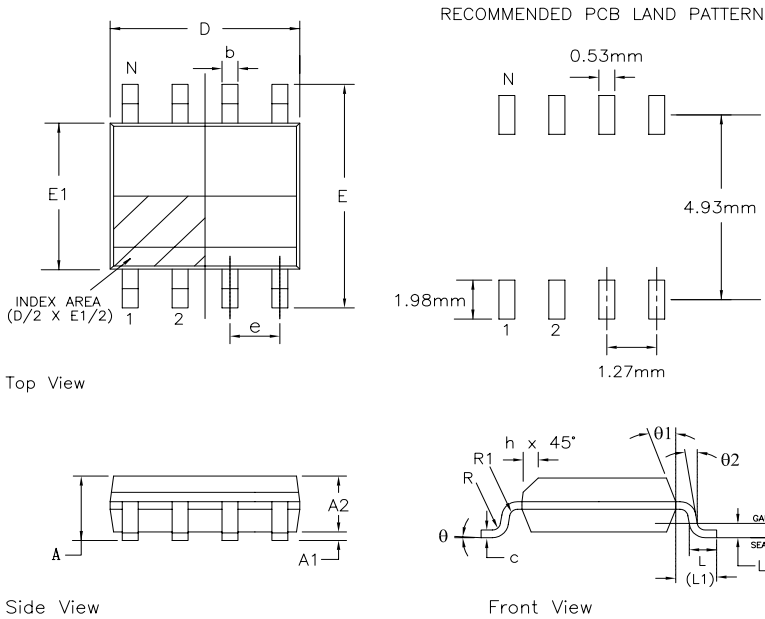
| 5 Pin TSOT (OPTION 2) | | | | | | |
|-----------------------|-----------------------------------|------|------|---------------------------------------|-------|-------|
| SYMBOLS | DIMENSION IN MM (Control Unit) | | | DIMENSION IN INCH (Reference Unit) | | |
| | MIN | NOM | MAX | MIN | NOM | MAX |
| A | 0.75 | — | 0.80 | 0.030 | — | 0.031 |
| A1 | 0.00 | — | 0.05 | 0.000 | — | 0.002 |
| A2 | 0.70 | 0.75 | 0.78 | 0.028 | 0.030 | 0.031 |
| b | 0.35 | — | 0.50 | 0.012 | — | 0.020 |
| c | 0.10 | — | 0.20 | 0.003 | — | 0.008 |
| D | 2.90 BSC | | | 0.114 BSC | | |
| E | 2.80 BSC | | | 0.110 BSC | | |
| E1 | 1.60 BSC | | | 0.063 BSC | | |
| e | 0.95 BSC | | | 0.038 BSC | | |
| e1 | 1.90 BSC | | | 0.075 BSC | | |
| L | 0.37 | 0.45 | 0.60 | 0.012 | 0.018 | 0.024 |
| L1 | 0.60 REF | | | 0.024 REF | | |
| L2 | 0.25 BSC | | | 0.010 BSC | | |
| R | 0.10 | — | — | 0.004 | — | — |
| R1 | 0.10 | — | 0.25 | 0.004 | — | 0.010 |
| θ | 0° | 4° | 8° | 0° | 4° | 8° |
| $\theta1$ | 4° | 10° | 12° | 4° | 10° | 12° |
| N | 5 | | | 5 | | |

MSOP-8 Package



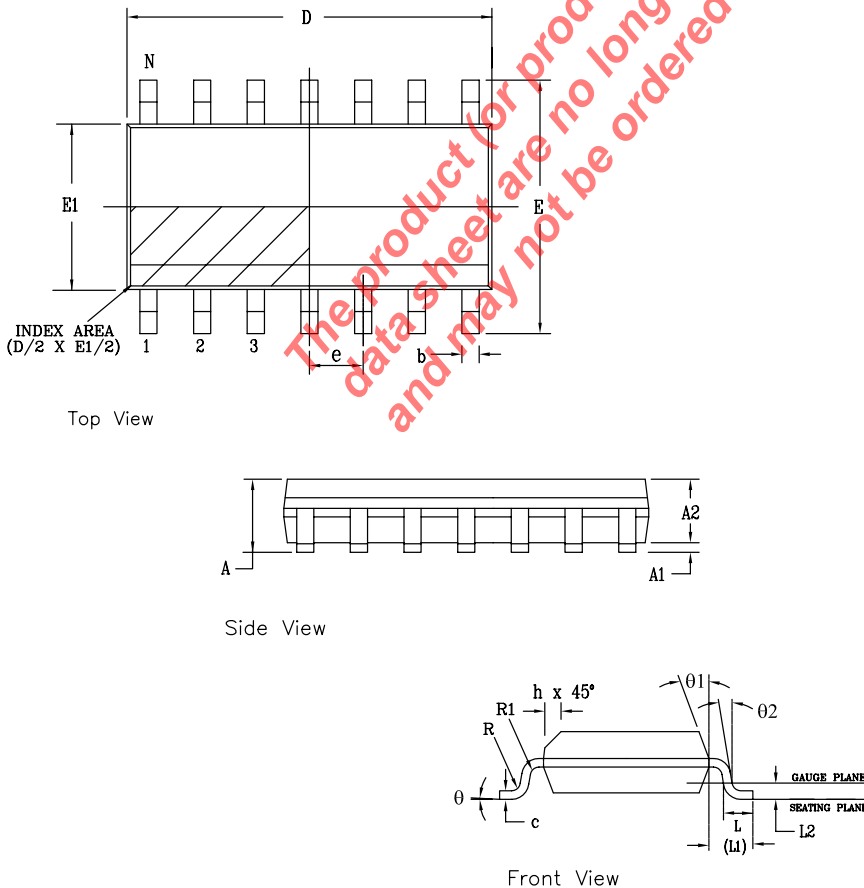
| 8 Pin MSOP JEDEC MO-187 Variation AA | | | | | | |
|--------------------------------------|------------------------------------|------|------|--|-------|-------|
| SYMBOLS | DIMENSIONS IN MM (Control Unit) | | | DIMENSIONS IN INCH (Reference Unit) | | |
| | MIN | NOM | MAX | MIN | NOM | MAX |
| A | — | — | 1.10 | — | — | 0.043 |
| A1 | 0.00 | — | 0.15 | 0.000 | — | 0.006 |
| A2 | 0.75 | 0.85 | 0.95 | 0.030 | 0.033 | 0.037 |
| b | 0.22 | — | 0.38 | 0.009 | — | 0.015 |
| c | 0.08 | — | 0.23 | 0.003 | — | 0.009 |
| E | 4.90 BSC | | | 0.193 BSC | | |
| E1 | 3.00 BSC | | | 0.118 BSC | | |
| e | 0.65 BSC | | | 0.026 BSC | | |
| e1 | 1.95 BSC | | | 0.077 BSC | | |
| L | 0.40 | 0.60 | 0.80 | 0.016 | 0.024 | 0.031 |
| L1 | 0.95 REF | | | 0.037 REF | | |
| L2 | 0.25 BSC | | | 0.010 BSC | | |
| R | 0.07 | — | — | 0.003 | — | — |
| R1 | 0.07 | — | — | 0.003 | — | — |
| θ | 0° | — | 8° | 0° | — | 8° |
| $\theta1$ | 5° | — | 15° | 5° | — | 15° |
| D | 3.00 BSC | | | 0.118 BSC | | |
| N | 8 | | | 8 | | |

SOIC-8 Package



| 8 Pin SOICN JEDEC MS-012 Variation AA | | | | | | |
|---------------------------------------|------------------------------------|-----|------|--|-----|-------|
| SYMBOLS | DIMENSIONS IN MM (Control Unit) | | | DIMENSIONS IN INCH (Reference Unit) | | |
| | MIN | NOM | MAX | MIN | NOM | MAX |
| A | 1.35 | — | 1.75 | 0.053 | — | 0.069 |
| A1 | 0.10 | — | 0.25 | 0.004 | — | 0.010 |
| A2 | 1.25 | — | 1.65 | 0.049 | — | 0.065 |
| b | 0.31 | — | 0.51 | 0.012 | — | 0.020 |
| c | 0.17 | — | 0.25 | 0.007 | — | 0.010 |
| E | 6.00 BSC | | | 0.236 BSC | | |
| E1 | 3.90 BSC | | | 0.154 BSC | | |
| e | 1.27 BSC | | | 0.050 BSC | | |
| h | 0.25 | — | 0.50 | 0.010 | — | 0.020 |
| L | 0.40 | — | 1.27 | 0.016 | — | 0.050 |
| L1 | 1.04 REF | | | 0.041 REF | | |
| L2 | 0.25 BSC | | | 0.010 BSC | | |
| R | 0.07 | — | — | 0.003 | — | — |
| R1 | 0.07 | — | — | 0.003 | — | — |
| θ | 0° | — | 8° | 0° | — | 8° |
| θ1 | 5° | — | 15° | 5° | — | 15° |
| θ2 | 0° | — | — | 0° | — | — |
| D | 4.90 BSC | | | 0.193 BSC | | |
| N | 8 | | | 8 | | |

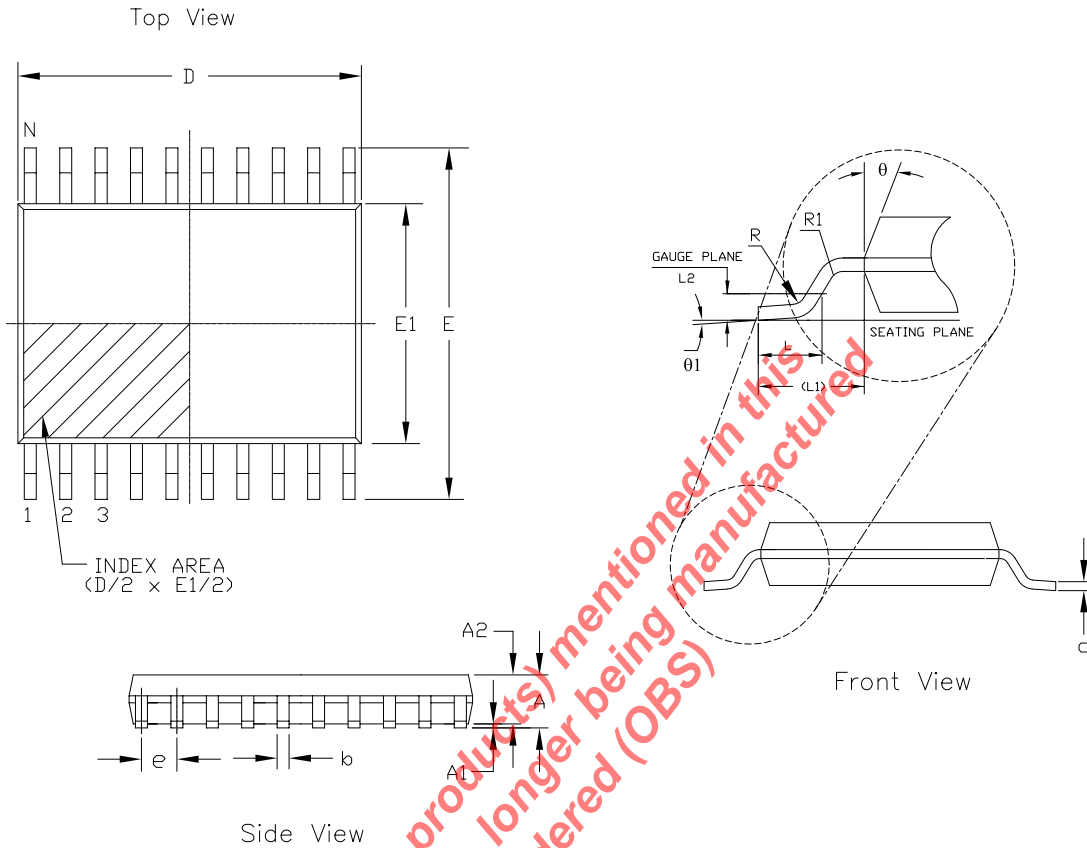
SOIC-14 Package



| PACKAGE OUTLINE NSOIC .150" BODY JEDEC MS-012 | | | | | | |
|--|---|-----|------|---|-----|-------|
| SYMBOLS | COMMON DIMENSIONS IN MM (Control Unit) | | | COMMON DIMENSIONS IN INCH (Reference Unit) | | |
| | MIN | NOM | MAX | MIN | NOM | MAX |
| A | 1.35 | — | 1.75 | 0.053 | — | 0.069 |
| A1 | 0.10 | — | 0.25 | 0.004 | — | 0.010 |
| A2 | 1.25 | — | 1.65 | 0.049 | — | 0.065 |
| b | 0.31 | — | 0.51 | 0.012 | — | 0.020 |
| c | 0.17 | — | 0.25 | 0.007 | — | 0.010 |
| E | 6.00 BSC | | | 0.236 BSC | | |
| E1 | 3.90 BSC | | | 0.154 BSC | | |
| e | 1.27 BSC | | | 0.050 BSC | | |
| h | 0.25 | — | 0.50 | 0.010 | — | 0.020 |
| L | 0.40 | — | 1.27 | 0.016 | — | 0.050 |
| L1 | 1.04 REF | | | 0.041 REF | | |
| L2 | 0.25 BSC | | | 0.010 BSC | | |
| R | 0.07 | — | — | 0.003 | — | — |
| R1 | 0.07 | — | — | 0.003 | — | — |
| θ | 0° | — | 8° | 0° | — | 8° |
| θ1 | 5° | — | 15° | 5° | — | 15° |
| θ2 | 0° | — | — | 0° | — | — |
| D | SEE VARIATIONS | | | | | |
| N | SEE VARIATIONS | | | | | |

| VARIATION D | | | | | | | |
|-------------|------------------------------------|-----|-----|--|-----|-----|----|
| VARIATIONS | DIMENSIONS IN MM (Control Unit) | | | DIMENSIONS IN INCH (Reference Unit) | | | N |
| | MIN | NOM | MAX | MIN | NOM | MAX | |
| AA | 4.90 | BSC | — | 0.193 | BSC | — | 8 |
| AB | 8.65 | BSC | — | 0.341 | BSC | — | 14 |
| AC | 9.90 | BSC | — | 0.390 | BSC | — | 16 |

TSSOP-14 Package



The product (or products) mentioned in this data sheet are no longer being manufactured (OBS) and may not be ordered.

| SYMBOLS | DIMENSIONS IN MM (Control Unit) | | | DIMENSIONS IN INCH (Reference Unit) | | |
|-----------|------------------------------------|------|------|--|-------|-------|
| | MIN | NOM | MAX | MIN | NOM | MAX |
| | A | — | — | 1.20 | — | — |
| A1 | 0.05 | — | 0.15 | 0.002 | — | 0.006 |
| A2 | 0.80 | 1.00 | 1.05 | 0.031 | 0.039 | 0.041 |
| b | 0.19 | — | 0.30 | 0.007 | — | 0.012 |
| c | 0.09 | — | 0.20 | 0.004 | — | 0.008 |
| E | 6.40 BSC | | | 0.252 BSC | | |
| E1 | 4.30 | 4.40 | 4.50 | 0.169 | 0.173 | 0.177 |
| e | 0.65 BSC | | | 0.026 BSC | | |
| L | 0.45 | 0.60 | 0.75 | 0.018 | 0.024 | 0.030 |
| L1 | 1.00 REF | | | 0.039 REF | | |
| L2 | 0.25 BSC | | | 0.010 BSC | | |
| R | 0.09 | — | — | 0.035 | — | — |
| R1 | 0.09 | — | — | 0.035 | — | — |
| θ | 12° REF | | | 12° REF | | |
| $\theta1$ | 0° | — | 8° | 0° | — | 8° |
| D | 4.90 | 5.00 | 5.10 | 0.193 | 0.197 | 0.200 |
| N | 14 | | | 14 | | |

Ordering Information

| Part Number | Package | Green | Operating Temperature Range | Packaging |
|-----------------------------|------------------|-------|-----------------------------|-------------|
| XR8051 Ordering Information | | | | |
| XR8051AST5X | TSOT-5 | Yes | -40°C to +125°C | Tape & Reel |
| XR8051AST5MTR | TSOT-5 | Yes | -40°C to +125°C | Tape & Reel |
| XR8051AST5EVB | Evaluation Board | N/A | N/A | N/A |
| XR8051ASO8X | SOIC-8 | Yes | -40°C to +125°C | Tape & Reel |
| XR8051ASO8MTR | SOIC-8 | Yes | -40°C to +125°C | Tape & Reel |
| XR8051ASO8EVB | Evaluation Board | N/A | N/A | N/A |
| XR8052 Ordering Information | | | | |
| XR8052ASO8X | SOIC-8 | Yes | -40°C to +125°C | Tape & Reel |
| XR8052ASO8MTR | SOIC-8 | Yes | -40°C to +125°C | Tape & Reel |
| XR8052ASO8EVB | Evaluation Board | N/A | N/A | N/A |
| XR8052AMP8X | MSOP-8 | Yes | -40°C to +125°C | Tape & Reel |
| XR8052AMP8MTR | MSOP-8 | Yes | -40°C to +125°C | Tape & Reel |
| XR8052AMP8EVB | Evaluation Board | N/A | N/A | N/A |
| XR8054 Ordering Information | | | | |
| XR8054ATP14X | TSSOP-14 | Yes | -40°C to +125°C | Tape & Reel |
| XR8054ATP14MTR | TSSOP-14 | Yes | -40°C to +125°C | Tape & Reel |
| XR8054ATP14EVB | Evaluation Board | N/A | N/A | N/A |
| XR8054ASO14X | SOIC-14 | Yes | -40°C to +125°C | Tape & Reel |
| XR8054ASO14MTR | SOIC-14 | Yes | -40°C to +125°C | Tape & Reel |
| XR8054ASO14EVB | Evaluation Board | N/A | N/A | N/A |

Moisture sensitivity level for all parts is MSL-1. Mini tape and reel quantity is 250.

The product (or products) mentioned in this data sheet are no longer being manufactured and may not be ordered (OBSOLETE)

Revision History

| Revision | Date | Description |
|------------------|---------------|---|
| 1B (ECN 1451-05) | December 2014 | Reformat into Exar data sheet template. Updated ordering information table to include MTR and EVB part numbers. Updated thermal resistance numbers and package outline drawings. Updated typical small signal bandwidth specifications and plots. |

The product (or products) mentioned in this data sheet are no longer being manufactured and may not be ordered (OBS)

For Further Assistance:

Email: CustomerSupport@exar.com or HPATechSupport@exar.com

Exar Technical Documentation: <http://www.exar.com/techdoc/>

Exar Corporation Headquarters and Sales Offices
 48760 Kato Road Tel.: +1 (510) 668-7000
 Fremont, CA 94538 - USA Fax: +1 (510) 668-7001



A New Direction in Mixed-Signal

NOTICE

EXAR Corporation reserves the right to make changes to the products contained in this publication in order to improve design, performance or reliability. EXAR Corporation assumes no responsibility for the use of any circuits described herein, conveys no license under any patent or other right, and makes no representation that the circuits are free of patent infringement. Charts and schedules contained here in are only for illustration purposes and may vary depending upon a user's specific application. While the information in this publication has been carefully checked; no responsibility, however, is assumed for inaccuracies.

EXAR Corporation does not recommend the use of any of its products in life support applications where the failure or malfunction of the product can reasonably be expected to cause failure of the life support system or to significantly affect its safety or effectiveness. Products are not authorized for use in such applications unless EXAR Corporation receives, in writing, assurances to its satisfaction that: (a) the risk of injury or damage has been minimized; (b) the user assumes all such risks; (c) potential liability of EXAR Corporation is adequately protected under the circumstances.

Reproduction, in part or whole, without the prior written consent of EXAR Corporation is prohibited.

Looking for pricing, stock, or lifecycle information?

Click below to explore more details on WIN SOURCE:

 [View XR8052AMP8MTR on WIN SOURCE](#)

 [MaxLinear Inc Information](#)

Optimize Your Supply Chain with WIN SOURCE Solutions

-  Global Sourcing Solution
-  Obsolete Management
-  Cost Control Management
-  Shortage Management
-  Alternative Solution
-  Excess Inventory Management