



THE DATASHEET OF WYSBCVGX7



Wireless Module

802.11bgn & Bluetooth®

WYSBCVGX7 & WBSBCVGX7

Overview

December 25, 2013 Version 1.0

WYSBCVGX7 Wireless Module: 802.11bgn

Feature

- IEEE802.11b/g/n standard conformity
- Low standby current (with advanced power save and sleep mode)
- Transmit speed : 11/5.5/2/1 Mbps(11b), 54/48/36/24/18/12/9/6 Mbps(11g), 150~6.5 Mbps (11n)
- Channel Number : 1 to 13 channel (11bg)
- Interface : SDIO
- Built-in EEPROM; 2G-PA, Crystal, BPF
- Security: WEP (64/128), TKIP, AES, WPA/WPA2, WAPI
- Small Outline: 9.0 x 8.8 x 1.35(Max) mm
- Package: Metal case package
- RoHS Conformity

Applicatio

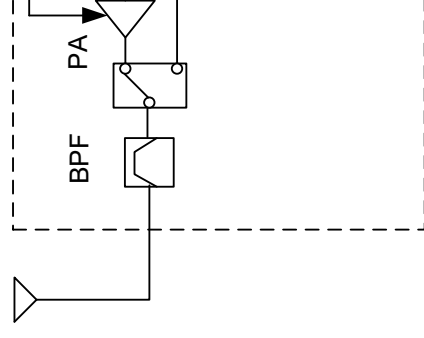
- Hand Held Device

General Electrical Specification

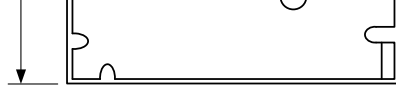
Parameter	Description	Min.	Typ.	Max.	Units
Operation Voltage	Core_3.3V	3.0	3.3	3.6	V
	Core_1.8V	1.71	1.8	1.89	V
	VIO	1.62/2.97	1.8/3.3	1.98/3.63	V
TX Output Power (11b/g/n)	11b/11g/11n		15/12/11		dBm
RX Sensitivity (11b/g/n)	11b/11g/11n		-86/-72/-66	-76/-65/-61	dBm
TX Power Consumption	11b/11M (Duty43.4%)		395		mW
RX Power Consumption	11n/MCS7-HT40		260		mW
Power Consumption	Deep Sleep Mode VIO3.3V/VIO1.8V		2.3 / 0.7		mW
General Operation Temperature Range		-10	25	70	deg-C

TAIYO YUDEN

Block Diagram



Out



WBSBCVGXA-1: Wireless LAN Module Evaluation

To Evaluate WLAN Module WYSBCVGXA-1 You Will Need WBSBCVGXA-1

WBSBCVGXA-1 is the evaluation kit for WLAN Module **WYSBCVGX7**. This kit has everything you need to evaluate the performance of this module.



WBSBCVGXA-1 Kit includes:

No.	Item	Description	Qty
1	WBSBCVGXA-1	Evaluation Board for WLAN module WYSBCVGXA with SDIO interface	1
2	Red & Blue Cable	Power Supply Cable	1



TAIYO YUDEN

Supplemental Product Information

WLAN Module Operating Environment

- PC with Linux Fedora13 with software development option and SDIO interface
- **Attention: PC with SDIO is required. Although SDIO and SD Memory are the same slot shape, they are not compatible. WLAN Module and Evaluation Board will not work if they are connected to SD memory card.**
- i.MX51evk, Linux kernel ver. 2.6.35
- OMAP DM3730, Linux kernel ver. 2.6.37

What will be provided if the Evaluation Board is purchased

- Data Report: Detail Module information
- Application Note: Peripheral design guide
- Evaluation Board Manual: Manual on how to evaluate the Module with the Evaluation Board
- Labtool User Guide: RF Control Tool Guide
- Labtool: RF Control Tool
- WLAN Device Driver Software
 - ◆ for Linux PC, Fedora13
 - ◆ for i.MX51evk, Linux kernel ver. 2.6.35
 - ◆ for OMAP DM3730, Linux kernel ver. 2.6.37

Attention: There is a possibility that export control could limit customer's ability to use the Device Driver and the API Specification depending on the customer's country or application.

TAIYO YUDEN

Software Structure

Sample Application

- uaputl , mlanconfig (Configuration tools)

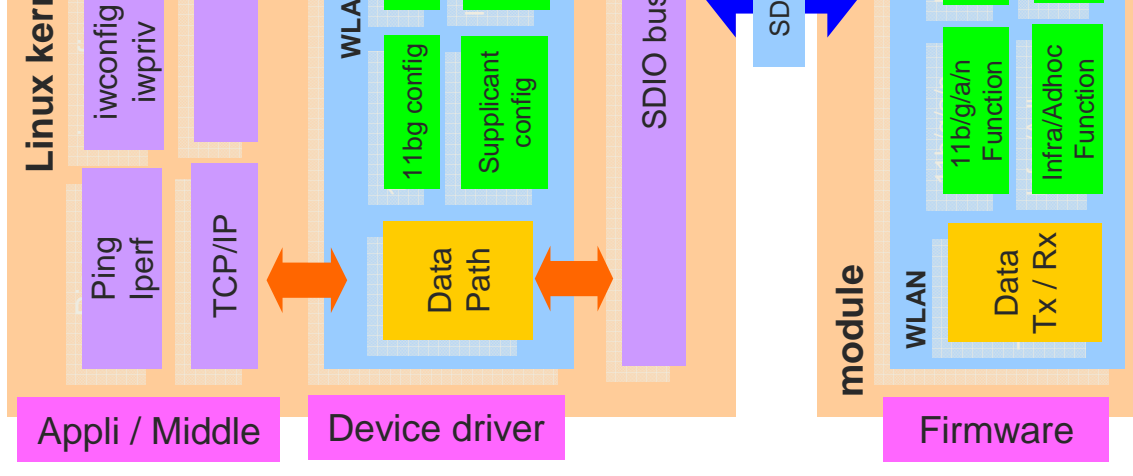
WLAN Device driver

- Data path
 - Communicate data such as TCP or UDP.
 - 11bg config/11a config/11n config
- Configure the such as Ch/Rate/band/mode.
- Supplicant config
 - Configure the generated key by supplicant of middleware.
- Infra/Adhoc config
 - Configure the Infra or Adhoc mode.
- uAP/WFD config
 - Configure the uAP or WFD mode.

Firmware

- Data Tx/Rx
 - Transmit and receive data on the air, such as TCP or UDP.
- 11b/g/a/n function
 - Execute the function of such as Ch/Rate/Band/Mode.
- E-supplicant function
 - Generate the key of WPA/WPA2.
- Infra/Adhoc function
 - Execute the function of Infra or Adhoc mode.
- uAP/WFD function
 - Execute the function of uAP or WFD mode.

*WFD : Wi-Fi Direct , E-supplicant : Embedded



TAIYO YUDEN

Software Feature Set

General

- 802.11b Data rates of 1,2 ,5.5 and 11 Mbps.
- 802.11a/g Data rates 6 - 48, and 54 Mbps.
- 802.11n Data rates up to 72 and 150 Mbps.
- 802.11d International roaming.
- 802.11e Qos block ack.
- 802.11h Transmit power control, DFS.
- 802.11i WPA / WPA2 and 802.11X.
- Infrastructure and ad-hoc mode.
- Security WEP 64 and 128-bit, TKIP and AES-CCMP for WPA / WPA2.
- WMM Support, WMM PS (UAPSD).
- IEEE Power Save, Auto Deep Sleep / Host Sleep.
- Embedded Supplicant.
- Support for Tx and Rx of AMPDU and AMSDU-4k Packets.
- Support for Only Tx of AMSDU-8k Packets.
- Background Scan, Vendor specific IE

Access point

- Multi-BSS Support (2 BSS).
- Association support up to 10 Stations.
- ACS (Automatic Channel Selection).

Simultaneous AP-STA Op

- AP-STA functionality.
- Independent security con interfaces.
- Enhanced Power Save. (AP-STA simultaneous p

Wi-Fi Direct/P2P

- Autonomous Group Own
- P2P Client mode.
- P2P Client association w
- P2P Client power save.
- P2P Client WMM PS (U
- GO WMM PS / IEEE PS
- 8 Client Support, Provisi

TAIYO YUDEN

Driver Package

Driver package (Platform)	Software	CPU / OS Type	Content
Object package for PC	Device driver	CPU : x86 (PC) OS : Fedora 13 (Linux 2.6.33)	Driver object - Configurati - WLAN driv Document - Install guid - Demo guid
	RF control tool (LABtool)	CPU : x86 (PC) OS : Windows XP	Driver Objec - WinXP Driv Document - User guide
Object package for Freescale	Device driver	CPU: Freescale i.mx51evk (MCIMX51EVKJ) OS : Linux 2.6.35	Driver object - Configurati - WLAN driv Document - Install guid
Object package for TI OMAP	Device driver	CPU : TI OMAP DM3730 (TMDSEVM3730) OS : Linux 2.6.37	Driver object - Configurati - WLAN driv Document - Install guid

(*) BT driver is included in the package, however, the module does not work.

TAIYO YUDEN

TAIYO YUDEN

Looking for pricing, stock, or lifecycle information?

Click below to explore more details on WIN SOURCE:

- ⊖ [View WYSBCVGX7](#) on WIN SOURCE
- ⊖ [Taiyo Yuden](#) Information

Optimize Your Supply Chain with WIN SOURCE Solutions

- ✓ Global Sourcing Solution
- ✓ Obsolete Management
- ✓ Cost Control Management
- ✓ Shortage Management
- ✓ Alternative Solution
- ✓ Excess Inventory Management